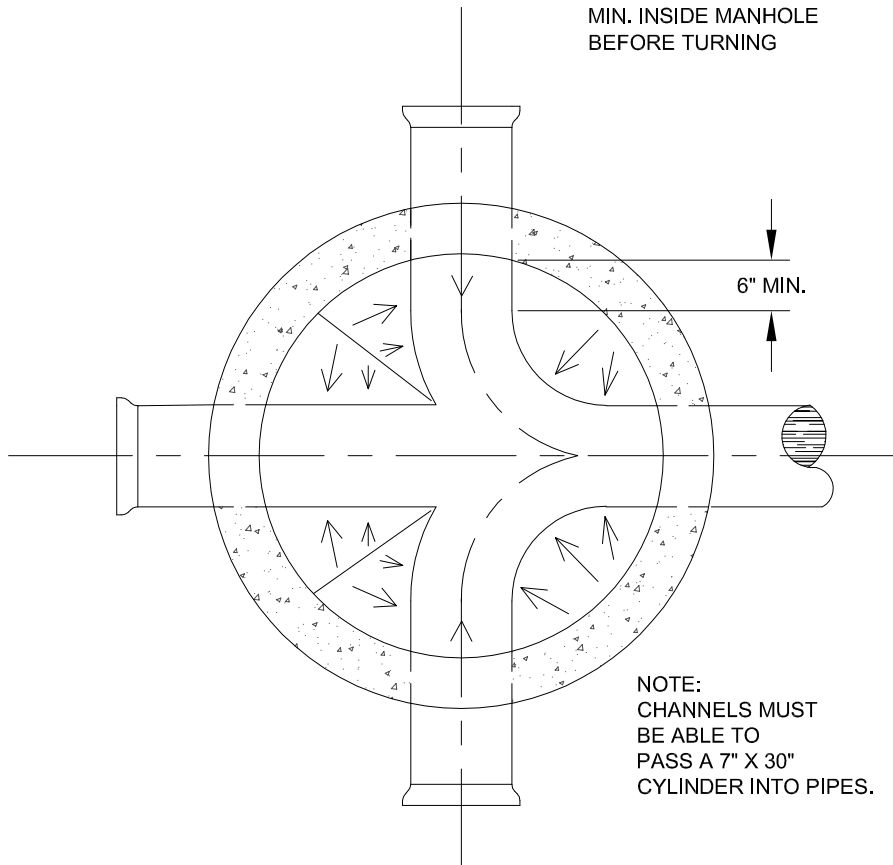


NOTE:
PIPE ALIGNMENT 6"
MIN. INSIDE MANHOLE
BEFORE TURNING



NOTE:
CHANNELS MUST
BE ABLE TO
PASS A 7" X 30"
CYLINDER INTO PIPES.

CHANNEL-INTERSECTION