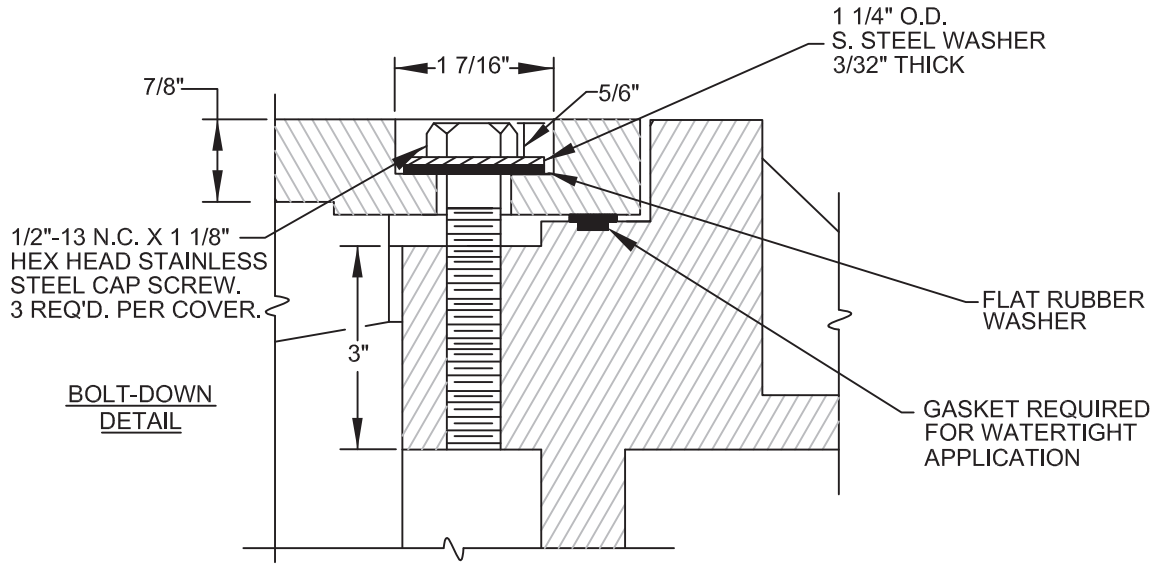
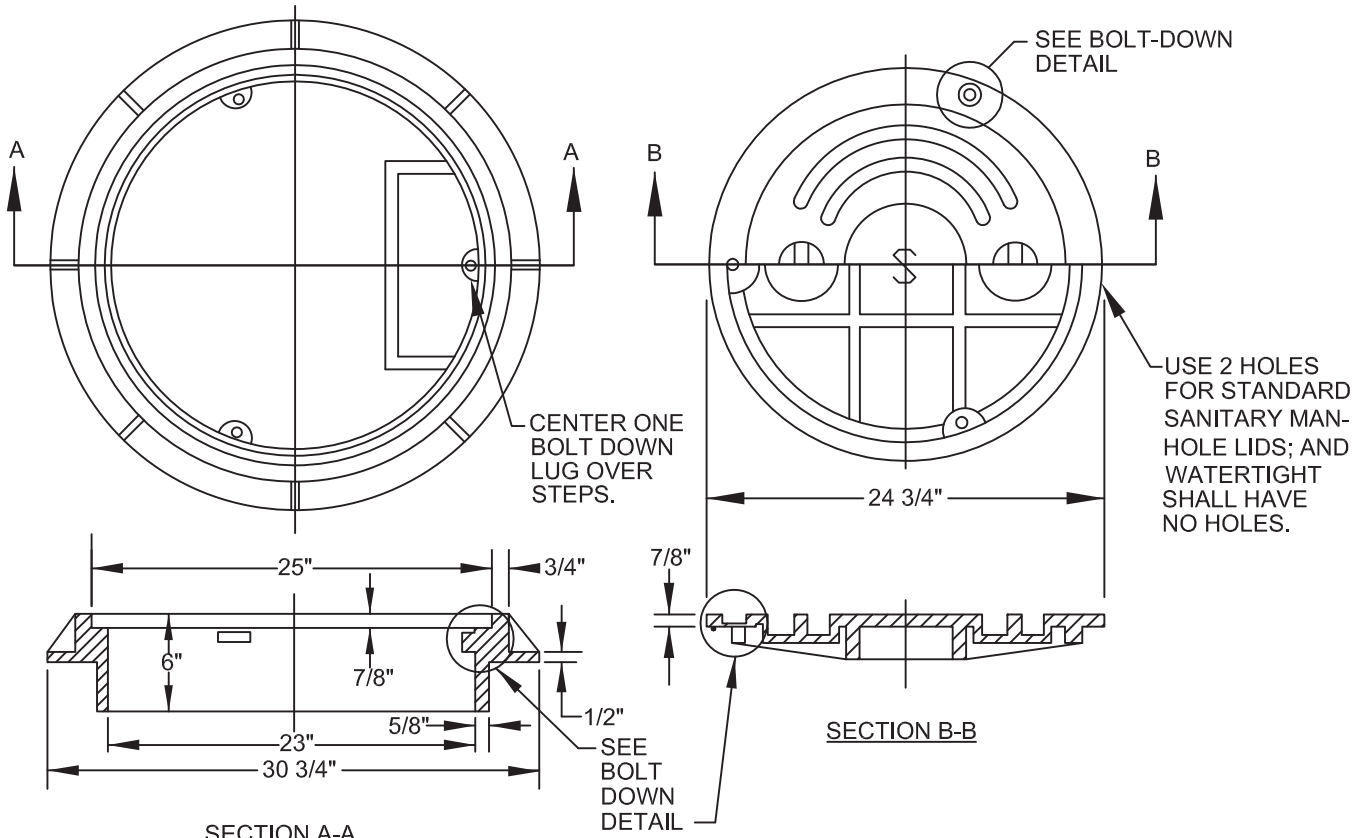


TAMPERPROOF MANHOLE RING

3-BOLT DOWN COVER



FRAME & COVER
SECURE / WATERTIGHT

NOTE: COVER AND FRAME SHALL BE OF GRAY CAST IRON A.S.T.M. A-48 CLASS 30.



CLACKAMAS COUNTY
150 BEAVERCREEK ROAD
OREGON CITY, OR 97045

APPROVAL DATE: 2013

SCALE: N.T.S.

FRAME & COVER
SECURE/WATERTIGHT

STANDARD
DRAWING
SAN-
011