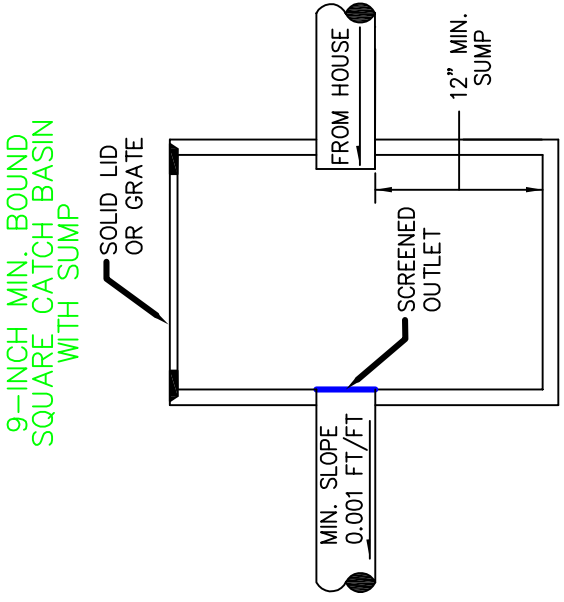
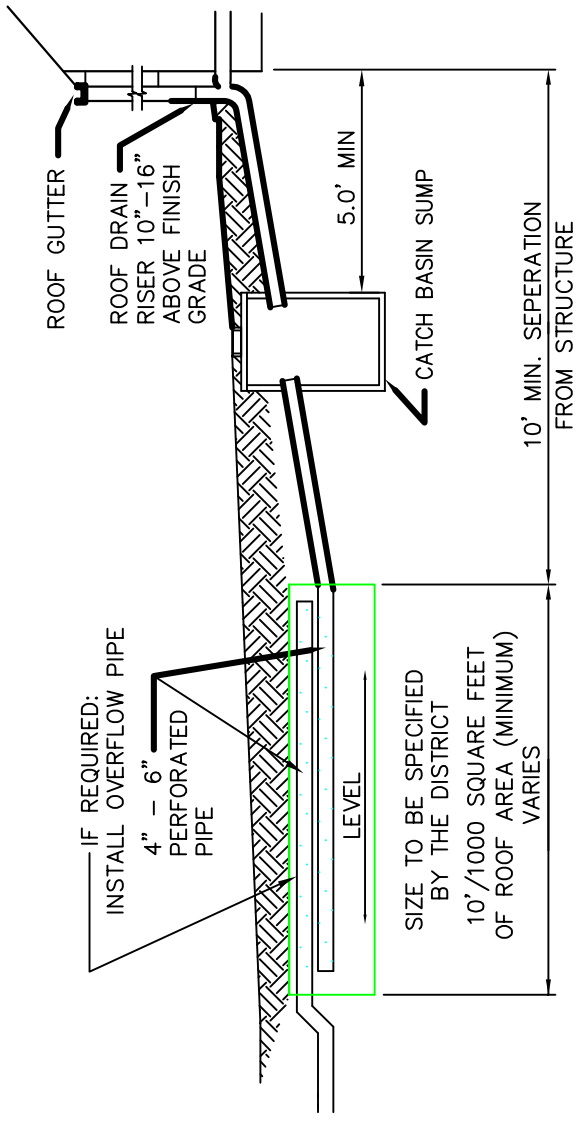


9-INCH MIN. BOUND SQUARE CATCH BASIN WITH SUMP



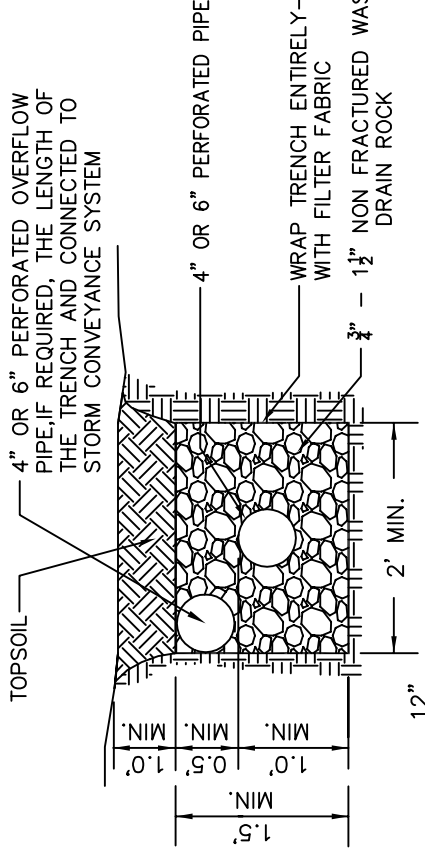
CATCH BASIN SUMP



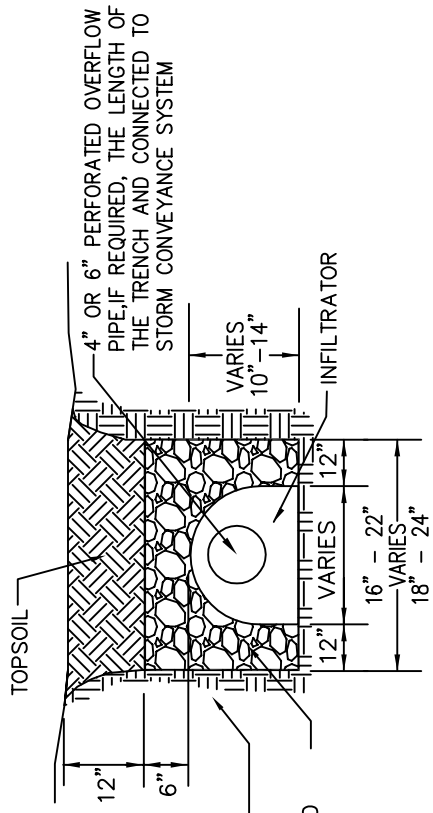
PROFILE

NOTES:

1. ALL PIPING WITHIN 5-FEET OF STRUCTURE SHALL BE OF MATERIALS APPROVED FOR USE WITHIN STRUCTURE.
2. PIPING BEYOND 5-FEET FROM STRUCTURE, SAME AS ONE (1) ABOVE OR PVC D3034.
3. MINIMUM TRENCH SET BASICS:
  - A) 10-FEET SEPERATION TO STRUCTURES
  - B) 5-FEET SEPERATION TO PROPERTY LINES
4. DISTRICT WILL APPROVE ALTERNATIVES ON A CASE BY CASE BASIS.
5. PLUMBING PERMIT REQUIRED. CONTACT LOCAL BUILDING DEPARTMENT.



STORAGE TRENCH



STORM CHAMBER



CLACKAMAS COUNTY  
150 BEAVERCREEK ROAD  
OREGON CITY, OR 97045

APPROVAL DATE: 2013 SCALE: N.T.S.

STORM - ROOF  
DOWNSPOUT SYSTEM

STANDARD  
DRAWING  
SWM  
ST-12.0