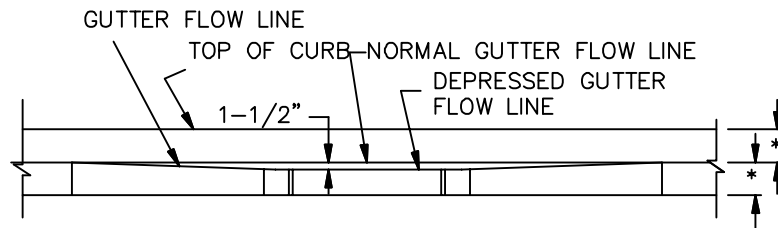
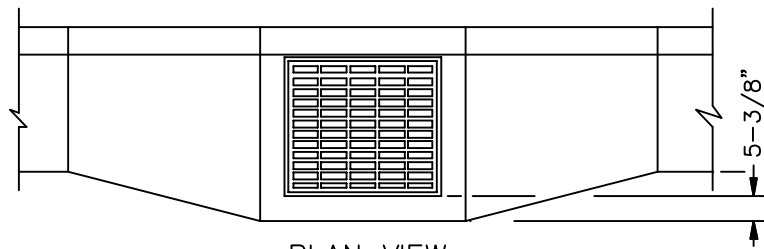


NOTE:  
 TOP SLAB SHOWN WITH GUTTER TRANSITION FLARE.  
 MATCH THE TOP FRONT EDGE OF THE FRAME AND THE TOP FRONT  
 EDGE OF THE TOP SLAB TO THE NORMAL PAVEMENT GRADE.

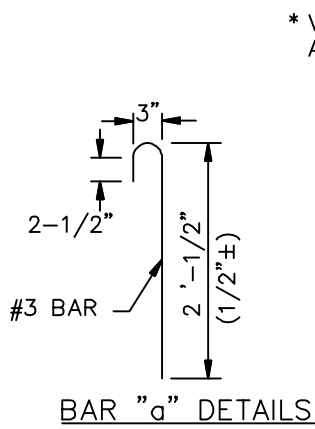


FRONT VIEW

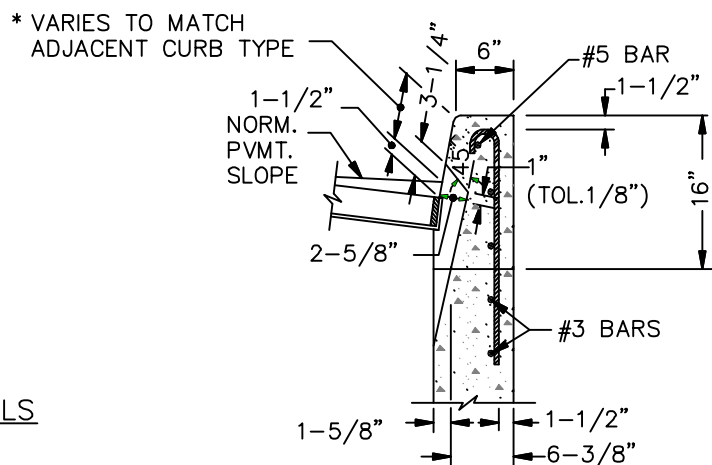


PLAN VIEW

CURB AND GUTTER TRANSITION SECTION



BAR "a" DETAILS



DETAIL A  
CURB OPENING

S:\Engineering\Traffic\Draft\Projects\Current\Projects\RoadwayStandards\TAR Standard Drawings Revised 1.1.10\dwgs\S100-S960.dwg

REVISION	DATE	BY

DEPARTMENT OF TRANSPORTATION  
 AND DEVELOPMENT  
 150 BEAVERCREEK ROAD  
 OREGON CITY, OR 97045



APPROVAL DATE: 1/1/10 SCALE: N.T.S.  
**CATCH BASIN CURB AND  
 GUTTER TRANSITION DETAILS**

STANDARD  
 DRAWING  
**S450**