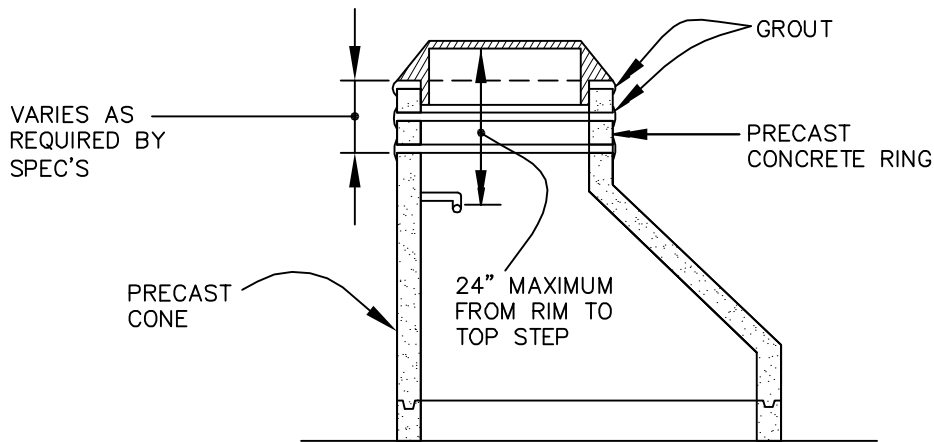


GENERAL PLAN OF  
CHANNEL INTERSECTION




PRECAST RING EXTENSION

NOTES

1. SPECIFICATIONS FOR CONCRETE AND MISCELLANEOUS MATERIALS USED IN CONSTRUCTION SHALL CONFORM TO CURRENT APWA STANDARD SPECIFICATIONS.
2. MAXIMUM NUMBER OF RISER RINGS ALLOWED IS FOUR 6" RINGS.

S:\Engineering\TrafficDRAFT\Projects\Current\Projects\RoadwayStandards\TAR Standard drawings\Standard Drawings Revised 1.1.10.dwg U200-800.dwg

REVISION	DATE	BY	DEPARTMENT OF TRANSPORTATION AND DEVELOPMENT  150 BEAVERCREEK ROAD OREGON CITY, OR 97045	 CLACKAMAS COUNTY	APPROVAL DATE: 1/1/10	SCALE: N.T.S.	STANDARD DRAWING
							STANDARD MANHOLE DETAILS