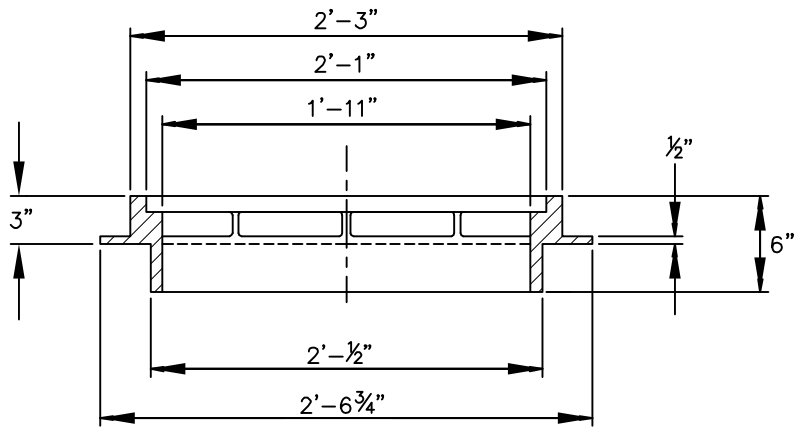
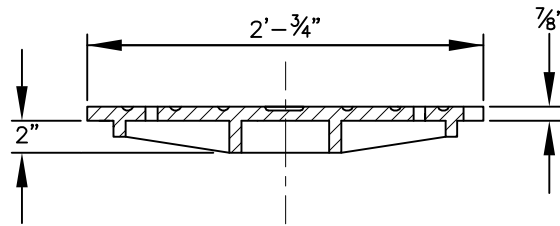
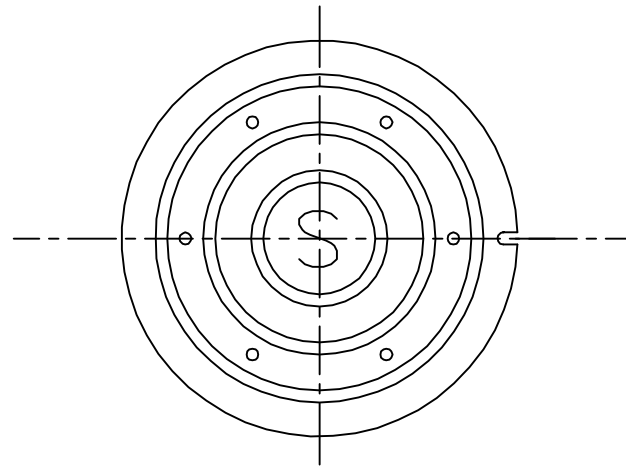


S:\Engineering\TrafficDRAFT\Projects\Current\Projects\RoadwayStandards\TAR Standard drawings\Standard Drawings Revised 1.1.10\dwgs\ U200-800.dwg



NOTES

1. SUBURBAN FRAME & COVER CAN BE USED IN EASEMENTS AND SUBDIVISION STREETS EXCEPT COLLECTOR, ARTERIAL, AND INDUSTRIAL STREETS, OR AS NOTED ON CONSTRUCTION PLANS.

REVISION	DATE	BY

DEPARTMENT OF TRANSPORTATION
AND DEVELOPMENT
150 BEAVERCREEK ROAD
OREGON CITY, OR 97045



APPROVAL DATE: 1/1/10

SCALE: N.T.S.

**SUBURBAN MANHOLE
FRAME AND COVER**

STANDARD
DRAWING
U700