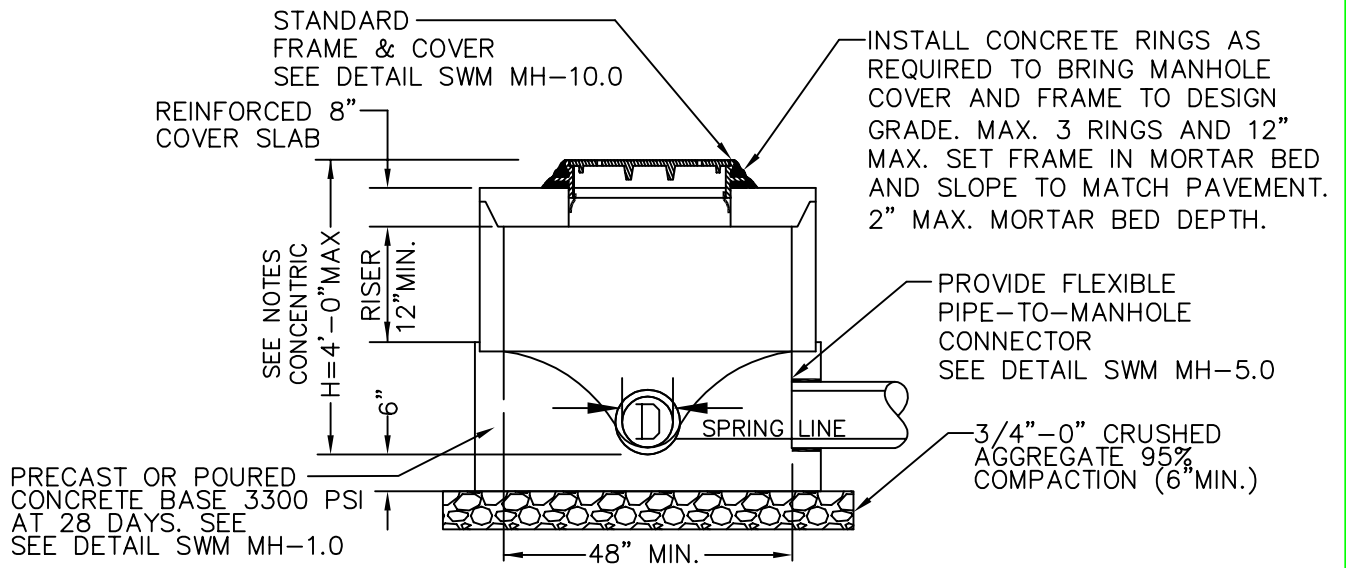


PLAN

(FRAME & COVER NOT SHOWN)



SECTION A-A

NOTES:

1. FLEXIBLE PIPE-TO-MANHOLE CONNECTIONS SHALL BE INSTALLED ACCORDING TO MANUFACTURES SPECIFICATIONS.
2. WATER TIGHT JOINTS.
3. ALL MANHOLE SECTIONS MUST MEET OR EXCEED ASTM C 478.
4. CONCENTRIC EQUAL TO OR LESS THAN 4- FEET – NO STEPS; ECCENTRIC GREATER THAN 4- FEET TO 6'-6" – REQUIRES STEPS.



CLACKAMAS COUNTY
150 BEAVERCREEK ROAD
OREGON CITY, OR 97045

APPROVAL DATE: 2013 SCALE: N.T.S.

**MANHOLE -
SHALLOW PRECAST**

STANDARD
DRAWING

**SWM
MH-8.0**