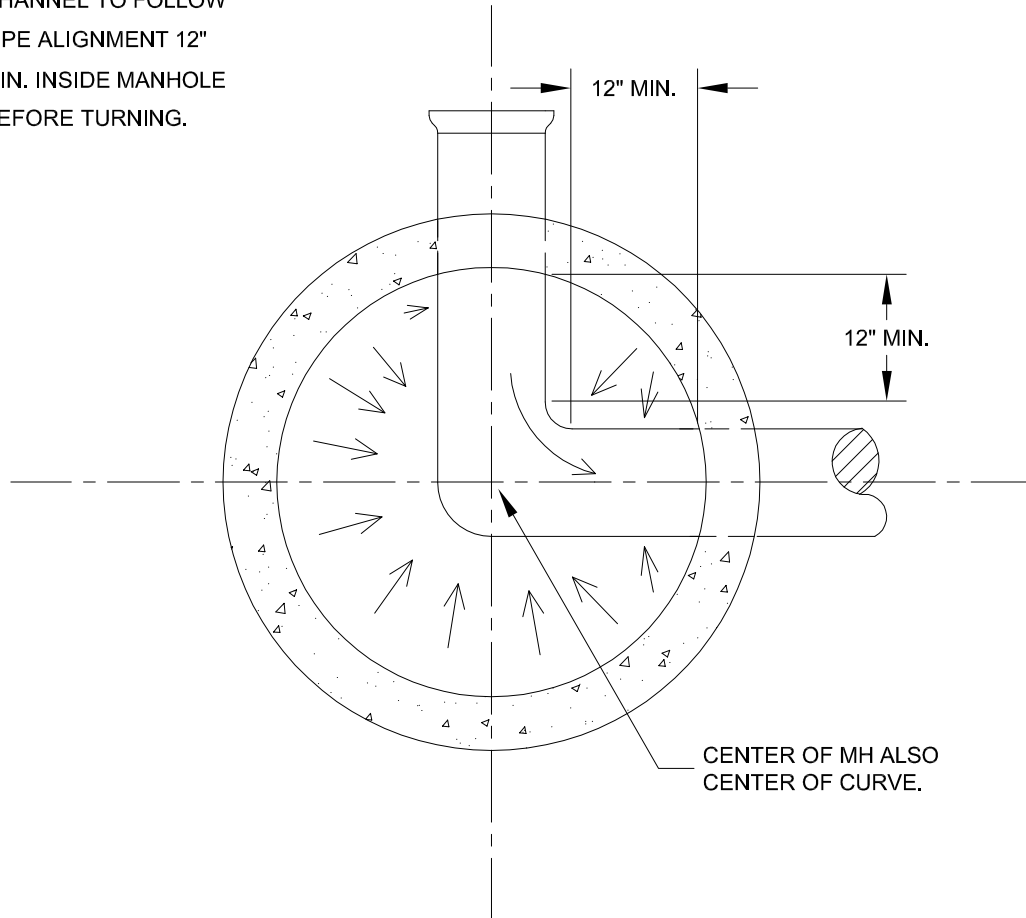


NOTES:

1. CHANNELS MUST BE ABLE TO PASS A 7" X 30" CYLINDER INTO PIPES.
2. CHANNEL TO FOLLOW PIPE ALIGNMENT 12" MIN. INSIDE MANHOLE BEFORE TURNING.



CHANNEL-90 DEGREE MANHOLE