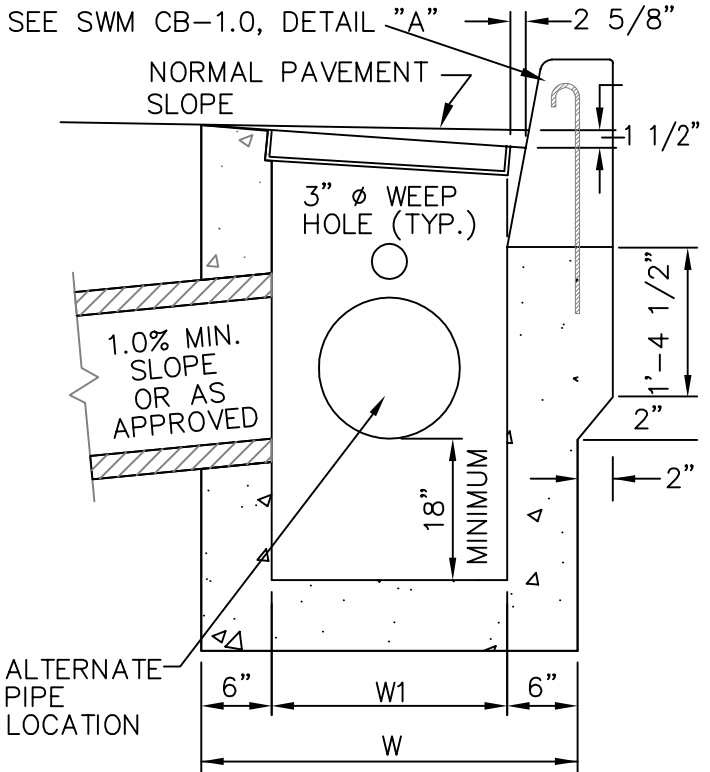
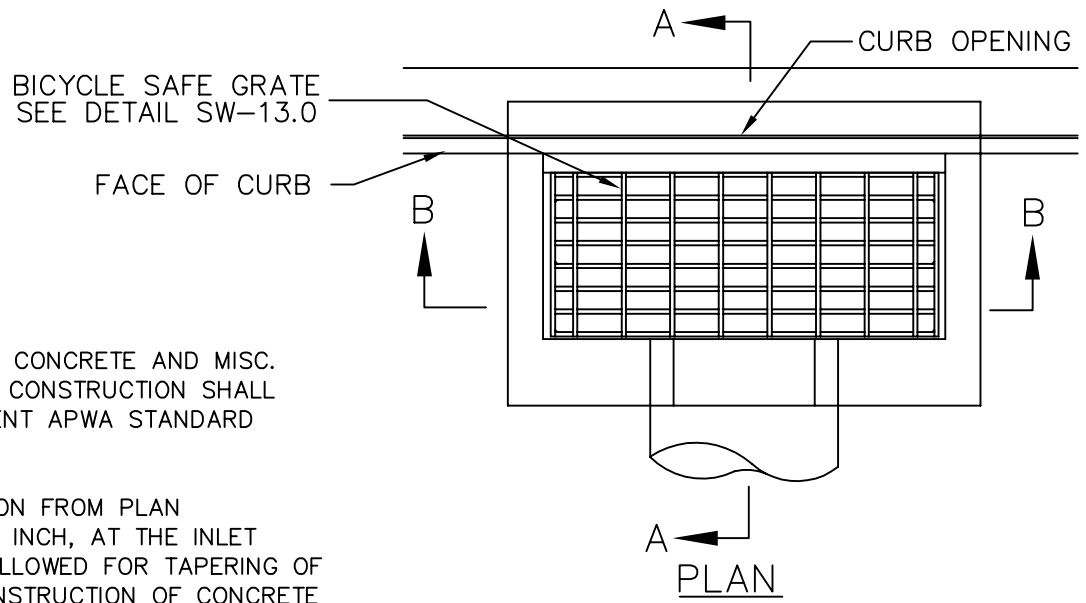


SECTION B-B



SECTION A-A



PLAN

**NOTES**

1. SPECIFICATIONS FOR CONCRETE AND MISC. MATERIALS USED IN CONSTRUCTION SHALL CONFORM TO CURRENT APWA STANDARD SPECIFICATIONS.
2. A MAXIMUM DEVIATION FROM PLAN DIMENSIONS OF ONE INCH, AT THE INLET FLOOR, SHALL BE ALLOWED FOR TAPERING OF FORMS USED IN CONSTRUCTION OF CONCRETE INLETS.
3. REFER TO CURRENT ODOT/APWA OREGON STATE CHAPTER DRAWING RD 366.
4. THE OUTSIDE DIAMETER OF THE PIPE MATERIAL SHALL NOT EXCEED 28".
5. PROVIDE 6" OF COMPACTED CRUSHED ROCK BELOW STRUCTURE.

CATCH BASIN TYPE	W	W1
GB-2	3' 3-3/8"	2' 3-3/8"

GB-1 NOT ALLOWED



CLACKAMAS COUNTY  
150 BEAVERCREEK ROAD  
OREGON CITY, OR 97045

APPROVAL DATE: 2013 SCALE: N.T.S.

**CATCH BASIN-  
STANDARD GB-2**

STANDARD  
DRAWING  
**SWM  
CB-5.0**