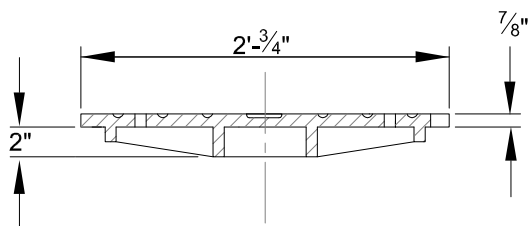
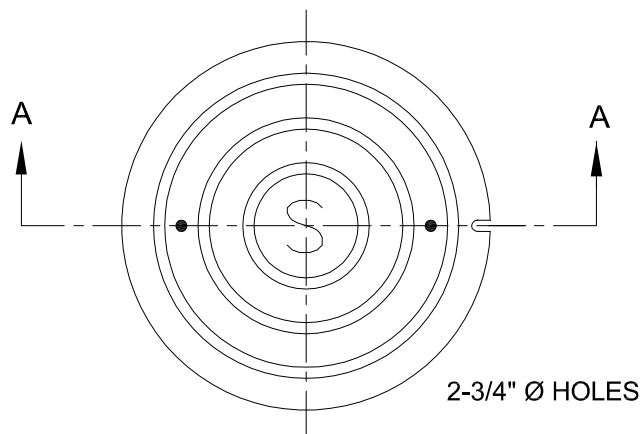
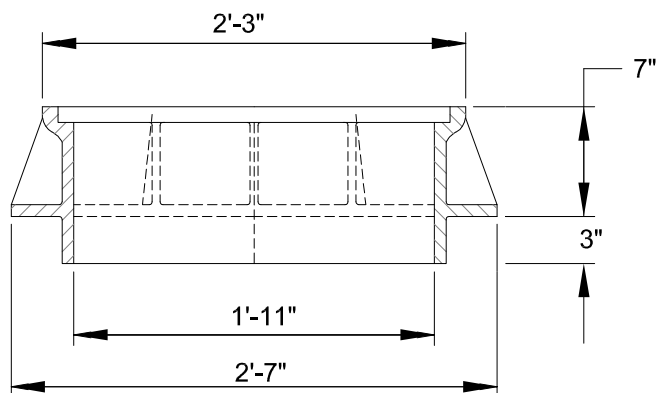


# STANDARD



SECTION A-A



FRAME & COVER STANDARD

NOTES:

1. STANDARD FRAME AND COVER TO BE USED ON COLLECTOR, ARTERIAL, AND INDUSTRIAL STREETS OR AS NOTED ON CONSTRUCTION PLANS.

2. SANITARY COVER WILL HAVE 2 - 3/4" Ø HOLES.



CLACKAMAS COUNTY  
150 BEAVERCREEK ROAD  
OREGON CITY, OR 97045

APPROVAL DATE: 2013

SCALE: N.T.S.

FRAME & COVER  
STANDARD

STANDARD  
DRAWING  
SAN-  
009