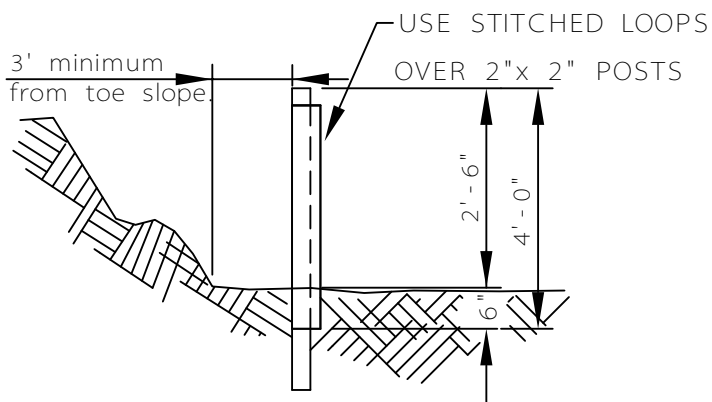


INTERLOCKED
2"x 2" POSTS
AND ATTACH

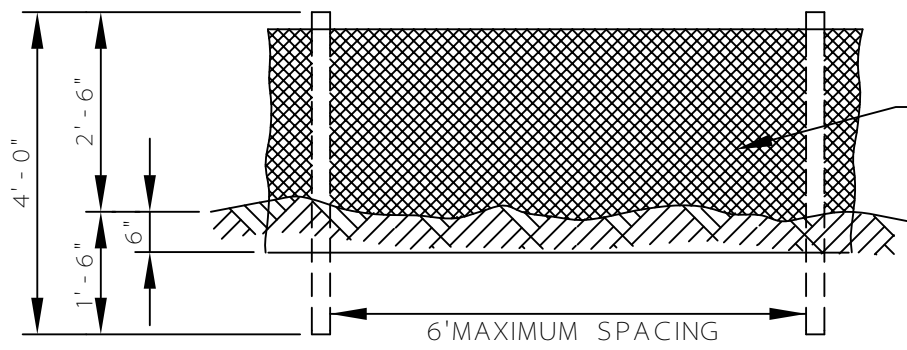
PLAN VIEW
NTS



PROFILE
NTS

NOTES:

1. BURY BOTTOM OF FILTER FABRIC 6" VERTICALLY BELOW FINISHED GRADE.
2. 2"x 2" FIR, PINE OR STEEL FENCE POSTS.
3. POSTS TO BE INSTALLED ON UPHILL SIDE OF SLOPE.
4. COMPACT BOTH SIDES OF FILTER FABRIC TRENCH.
5. PANELS MUST BE PLACED ACCORDING TO SPACING ON DETAIL NO.940



FILTER FABRIC MATERIAL
36" WIDE ROLLS

FRONT VIEW
NTS

SEDIMENT FENCE