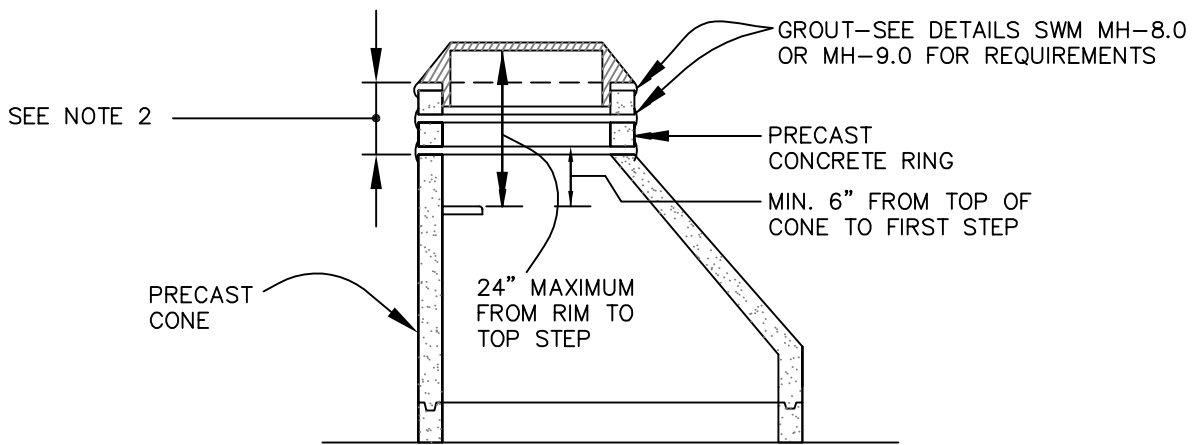


GENERAL PLAN OF CHANNEL INTERSECTION



PRECAST RING EXTENSION

NOTES

1. SPECIFICATIONS FOR CONCRETE AND MISCELLANEOUS MATERIALS USED IN CONSTRUCTION SHALL CONFORM TO CURRENT APWA STANDARD SPECIFICATIONS.
2. NUMBER OF RISER RINGS ALLOWED SHALL NOT EXCEED 12” MAXIMUM.