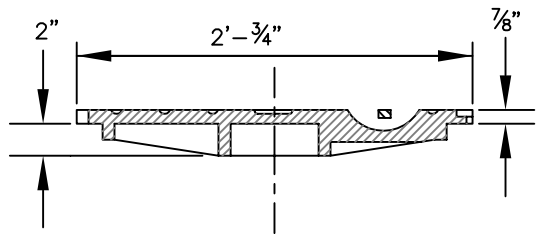
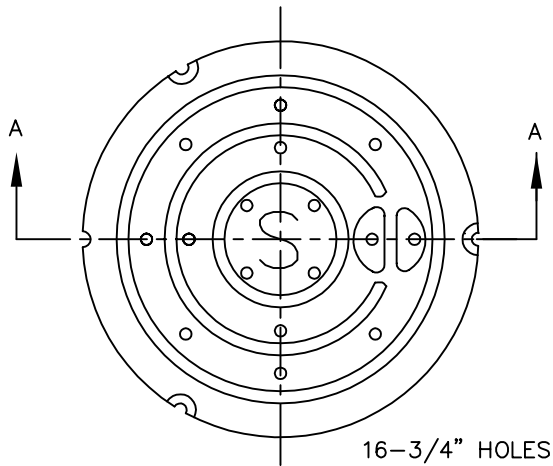
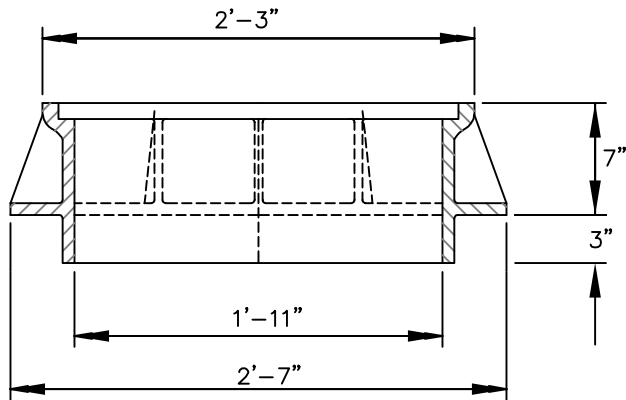


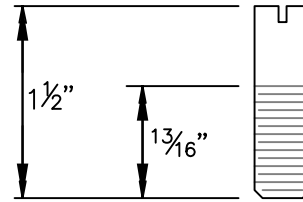
STANDARD MANHOLE



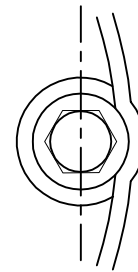
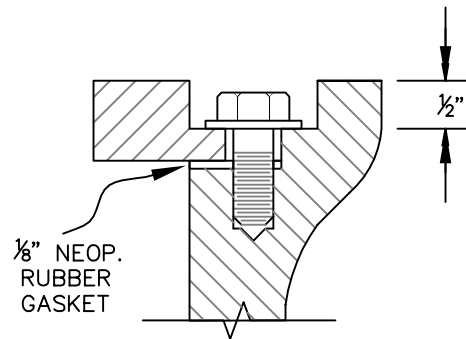
SECTION A-A



WATER TIGHT DETAILS  
TAMPERPROOF



LOCATING STUD  
(1) REQUIRED PER COVER



CAP SCREW  
(3) REQUIRED 1/2" x 1 1/4"  
PENT OR HEX HEAD  
BRONZE OR CAD PL.