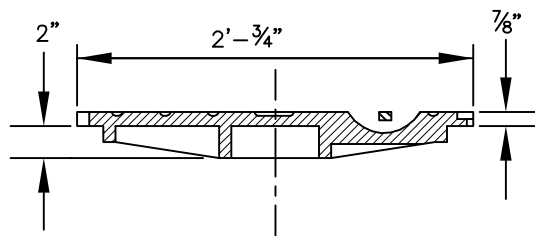
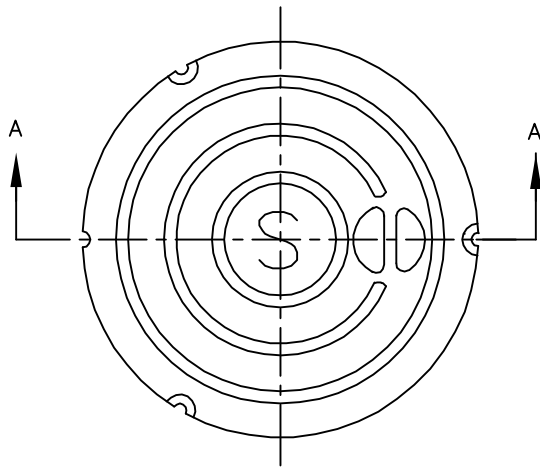
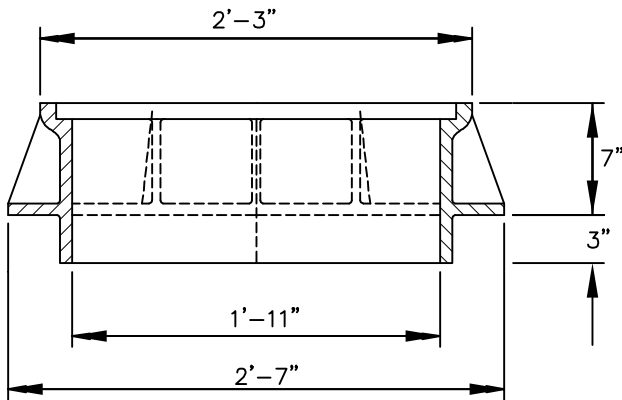


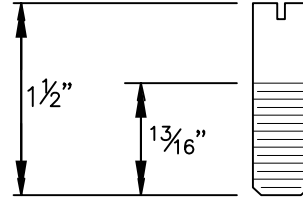
STANDARD MANHOLE



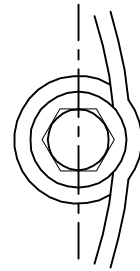
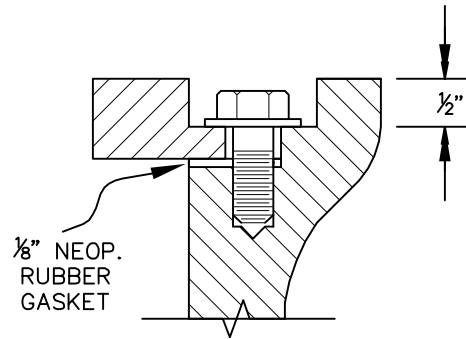
SECTION A-A



WATER TIGHT DETAILS



LOCATING STUD
(1) REQUIRED PER COVER



CAP SCREW
(3) REQUIRED 1/2" x 1 1/4"
PENT OR HEX HEAD
BRONZE OR CAD PL.

S:\Engineering\TrafficDRAFT\Projects\Current\Projects\RoadwayStandards\TAR Standard drawings\Standard Drawings Revised 1.1.10\dwgs\U200-800.dwg

REVISION	DATE	BY

DEPARTMENT OF TRANSPORTATION
AND DEVELOPMENT
150 BEAVERCREEK ROAD
OREGON CITY, OR 97045



APPROVAL DATE: 1/1/10

SCALE: N.T.S.

**STANDARD MANHOLE FRAME/COVER
& WATERTIGHT COVER**

STANDARD
DRAWING

U600