

THE CLACKAMAS COUNTY SHERIFF'S OFFICE PRESENTS



**MIK & NERO** IN...



**MEET THE  
DEPUTIES!**

**COLORING & ACTIVITY BOOK**

# DEAR GROWN-UP,

**W**e created this coloring and activity book to help young people learn about the important role that the Sheriff's Office plays in our community. Your children have probably seen Sheriff's Office patrol cars driving on our streets and roads, or maybe they've met a Deputy Sheriff at a public-safety fair or working as a School Resource Officer — but there is a whole lot more to what we do!

For example, did you know that the Sheriff's Office is responsible for all search-and-rescue operations in the county? That's a big responsibility, especially when our county includes Mt. Hood — the most-climbed mountain in North America. Our Search & Rescue team, which is one of the busiest in the state, is called out every two or three days to help find someone who is lost or missing.

The Sheriff's Office also operates the county jail. The jail itself is complex operation, with its own medical clinic, a laundry and a kitchen that serves more than half a million meals during a normal year. We also help adults in custody continue their education and (when necessary) get treatment to become mentally and emotionally stable — reducing the chances they'll return to jail in the future.

Stories about law-enforcement officers investigating crimes are very popular on television, and we have those kinds of resources right here in Clackamas County. Our evidence technicians and crash scene investigators can gather the tiniest clues, including fingerprints and DNA. We even have a forensic imaging specialist who can work with people who have been the victims of a crime to create an image of the suspect we can use to help track them down.



The Records Unit might not be as well-known as some of our other special teams, but they are no less vital to our success! They operate 24 hours a day, 7 days a week, 365 days a year. In 2021 alone they processed over 38,000 law-enforcement reports, entered over 10,000 warrants and protection orders and fulfilled over 10,000 public records requests. On top of that, the Records Unit also handles dozens of requests daily from other law-enforcement organizations.

And, of course, we have our K9 Unit — once home to the real-life Mik and Nero. The unit was founded in 1994 with six dogs, and has been growing ever since. To become a K9 handler, deputies must have at least five years of experience. Next, they attend a six-week training course working side-by-side with their new partner. K9s help us locate hiding suspects, respond to burglar alarms and find concealed evidence and drugs.

We hope that this book will give your children a glimpse at the exciting, dynamic world of law enforcement. It's a rewarding career that gives us the opportunity to serve the community and make a real difference in people's lives. The Sheriff's Office offers a Cadet program for young people ages 15-21, which gives them the opportunity to experience many aspects of working in law enforcement while building self-discipline, confidence and teamwork.

You can learn more about us online at [www.clackamas.us/sheriff](http://www.clackamas.us/sheriff). But even with all these great resources, our most important partner in the fight against crime is you. We need — and appreciate — your continued support and your help to hold offenders accountable and to enhance the safety of the communities that we serve.

"Mik & Nero in 'Meet the Deputies! Coloring & Activity Book'" is ©2017-2022 the Clackamas County Sheriff's Office. Mik and Nero are ™ the Clackamas County Sheriff's Office. All rights reserved. No portion of this publication may be reproduced or transmitted, in any form or by any means, without the express written permission of the Clackamas County Sheriff's Office. Names, characters, places and incidents featured in this publication are either the product of the author's imagination or are used fictitiously. Any resemblance to actual persons (living or dead), events, institutions or locales, without satiric intent, is coincidental.



YOU'VE PROBABLY SEEN  
A **DEPUTY SHERIFF** ON  
THE ROAD OR ON TV.

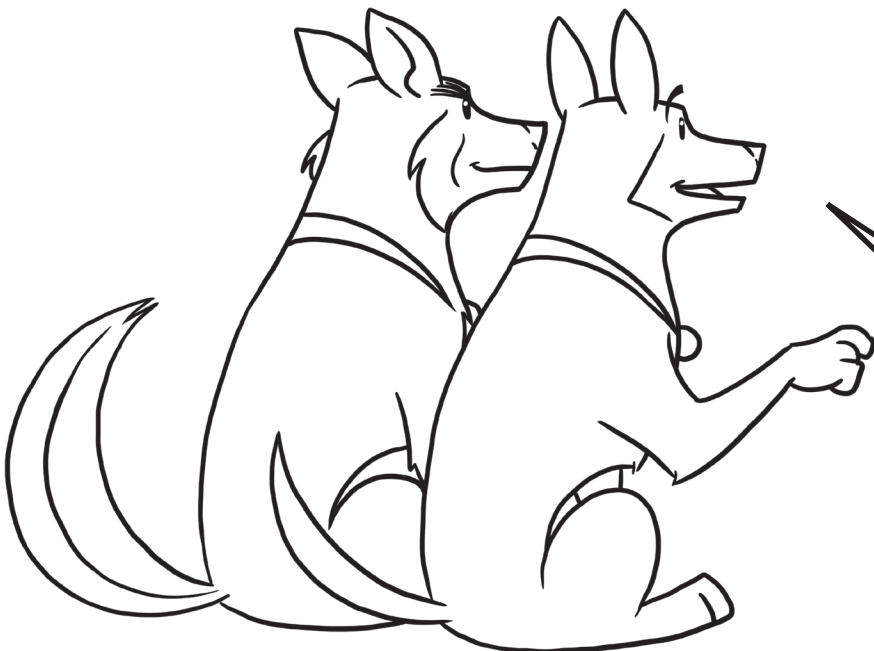
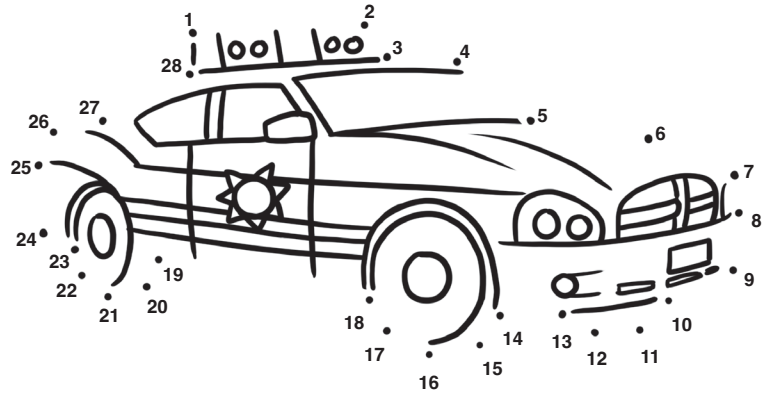
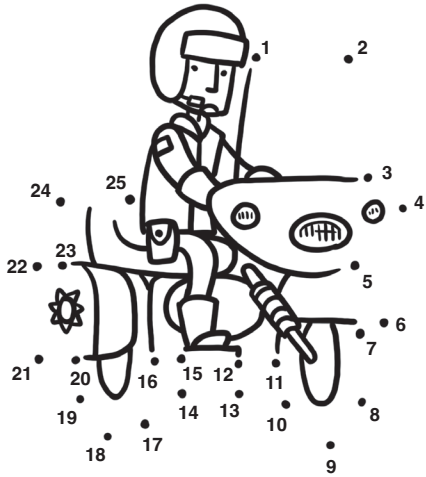
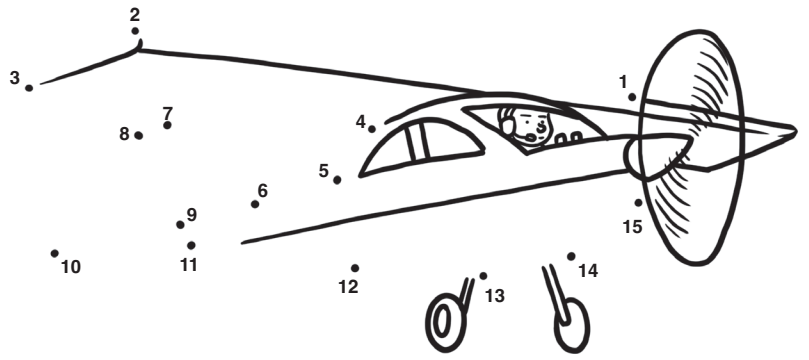
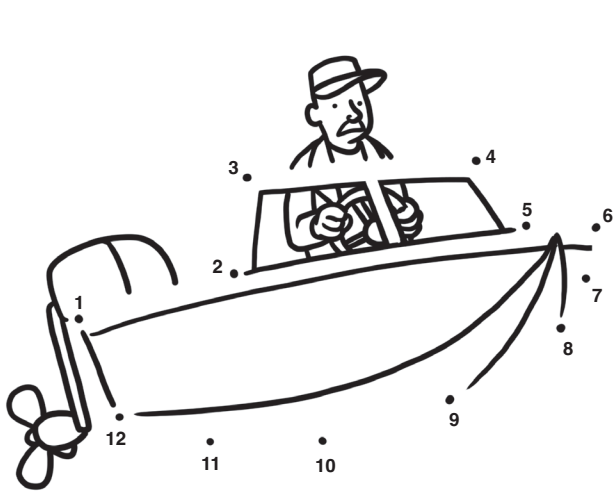
BUT DO YOU KNOW WHAT  
THEY **DO?** IT'S A LOT MORE  
THAN YOU MIGHT THINK!



YOUR SHERIFF'S OFFICE DOES A LOT OF THINGS IN THE COUNTY WHERE YOU LIVE TO KEEP YOUR COMMUNITY **SAFE**.

THEY ARE HERE TO HELP YOU. LET'S FIND OUT HOW!





THEY PATROL LAND,  
AIR AND WATER IN ALL  
SORTS OF VEHICLES!



DEPUTY SHERIFFS ARE RESPONSIBLE FOR ALL **SEARCH-AND-RESCUE** WORK IN THE COUNTY.

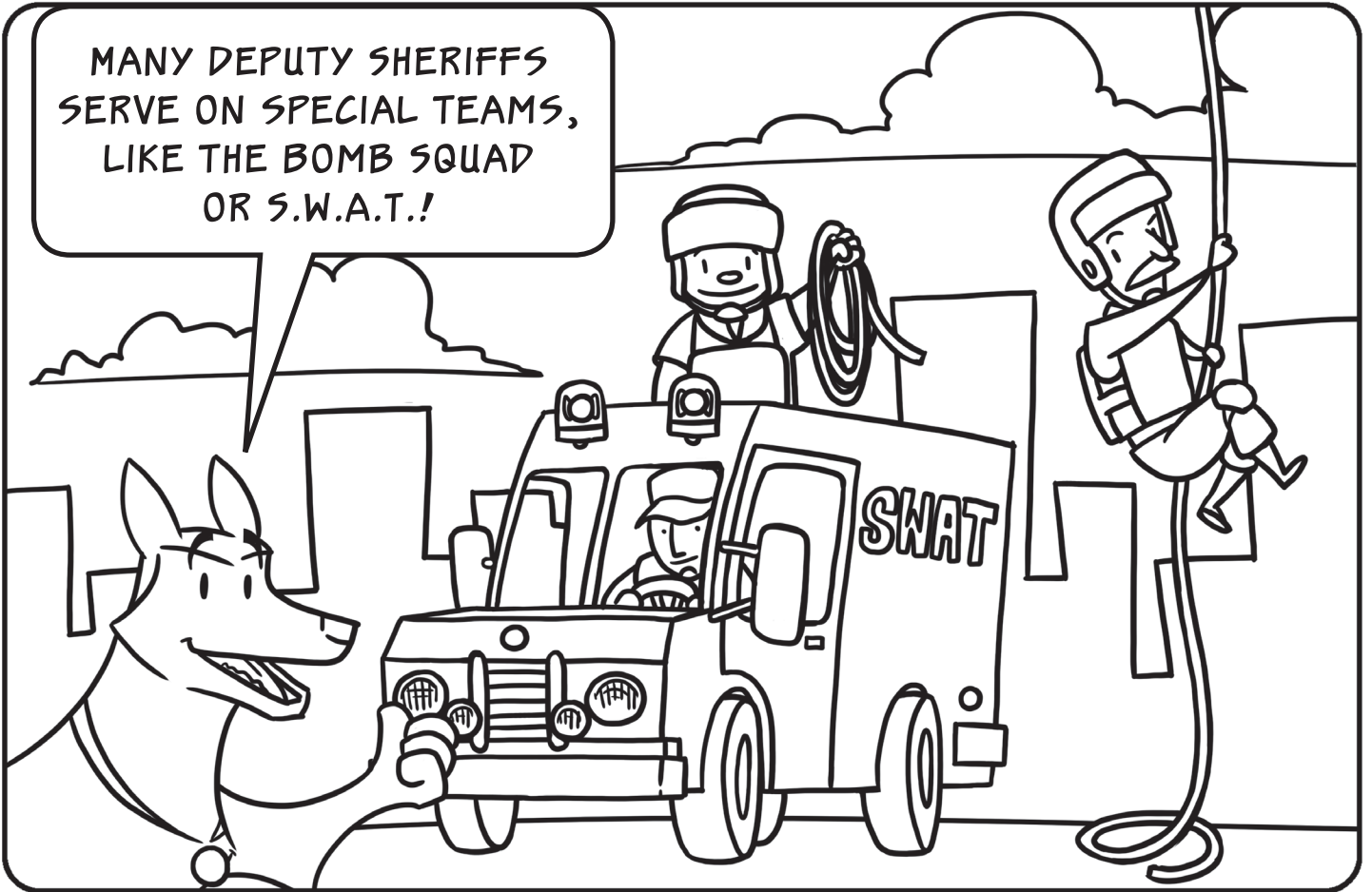
THEY WORK WITH VOLUNTEER SEARCH TEAMS TO LOOK FOR PEOPLE WHO GET LOST IN THE WILDERNESS, UP ON **MT. HOOD**, OR EVEN IN THE CITY!



CAN YOU FIND THESE THREE MISSING PEOPLE IN THE FOREST BEHIND ME?



MANY DEPUTY SHERIFFS  
SERVE ON SPECIAL TEAMS,  
LIKE THE BOMB SQUAD  
OR S.W.A.T.!



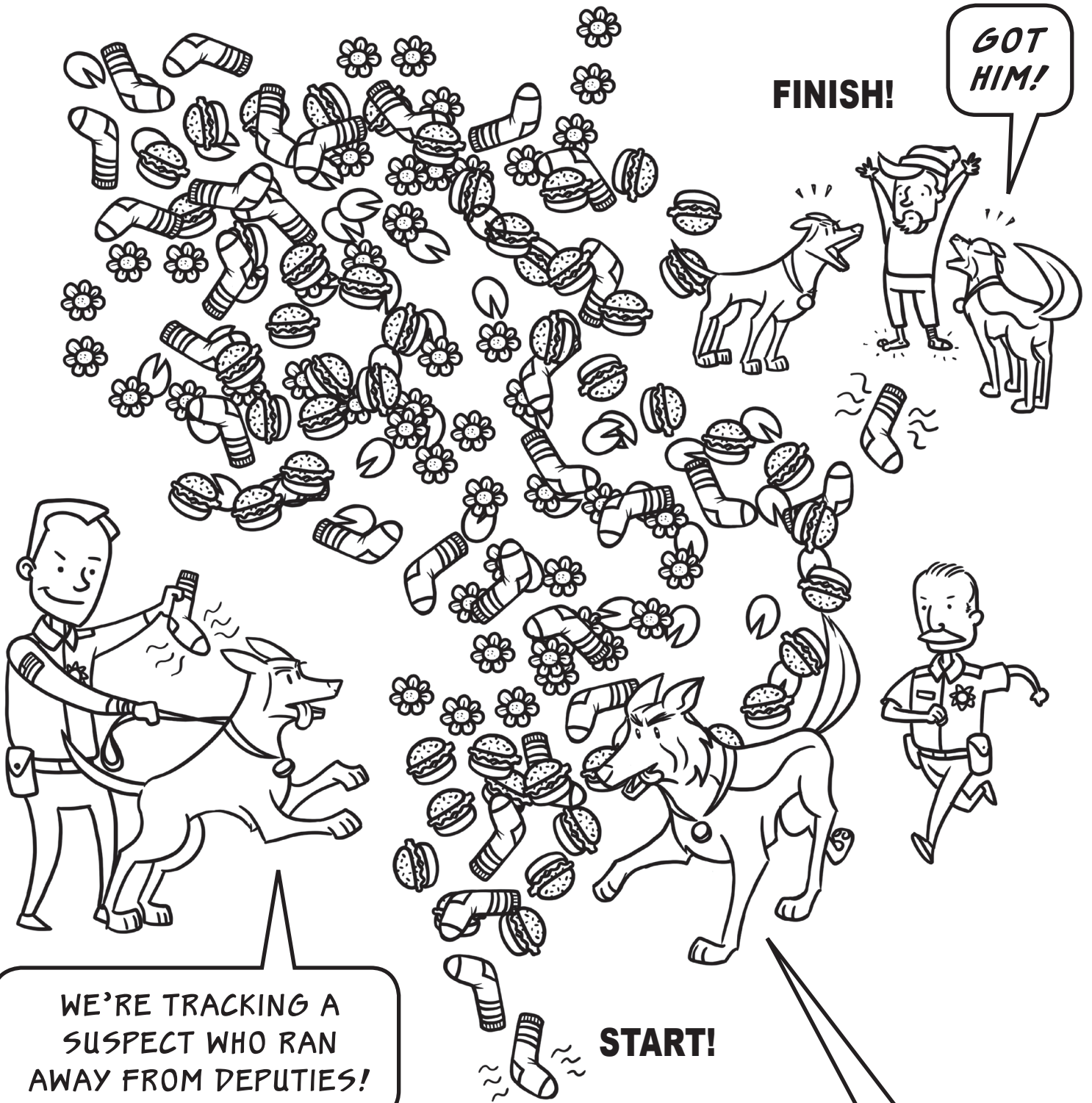
OTHERS WORK WITH K9 DEPUTIES  
- LIKE *ME* - OR RESPOND  
WHEN ANIMALS NEED HELP!





**MIK &  
NERO'S**

# **K-9 CHALLENGE!**



WE'RE TRACKING A  
SUSPECT WHO RAN  
AWAY FROM DEPUTIES!

THESE *SOCKS*  
MAKE UP HIS  
*SCENT TRAIL!*

**START!**

COLOR IN ALL THE SOCKS  
ON THIS PAGE TO REVEAL  
THE SUSPECT'S PATH!

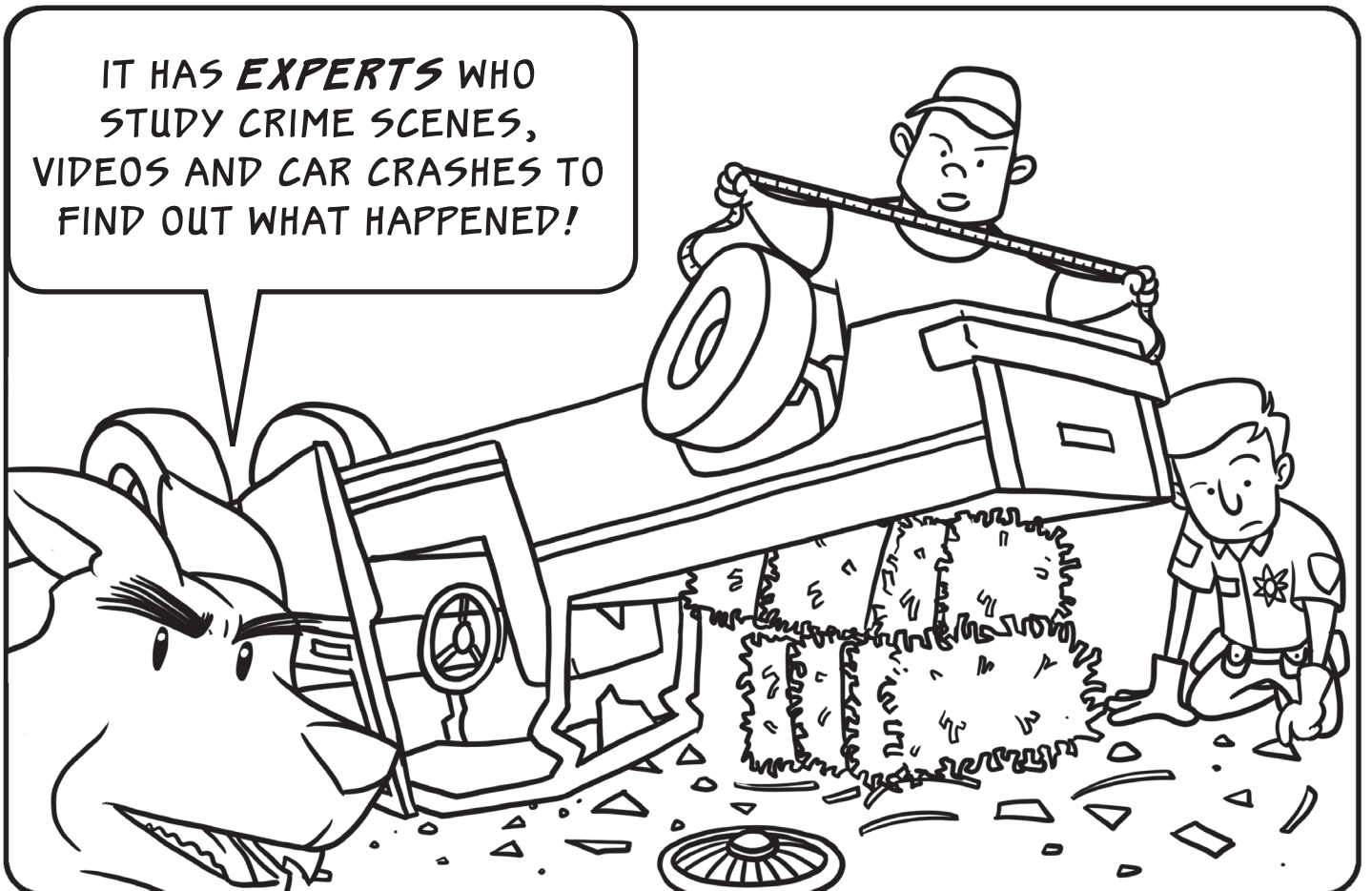
**FINISH!**

**GOT  
HIM!**

THE SHERIFF'S OFFICE HAS **DETECTIVES** WHO FIND CLUES AND CATCH CRIMINALS WHO STEAL THINGS OR HURT OTHER PEOPLE!



IT HAS **EXPERTS** WHO STUDY CRIME SCENES, VIDEOS AND CAR CRASHES TO FIND OUT WHAT HAPPENED!



# MIK & NERO'S FINGERPRINT TEST!

EACH PERSON HAS A UNIQUE FINGERPRINT PATTERN!

A CRIMINAL LEFT A FINGERPRINT ON A PERSON'S CAR!

HELP US MATCH THAT FINGERPRINT TO A SUSPECT!



STEP ONE:  
LOOK AT THIS FINGERPRINT PATTERN! IT BELONGS TO THE CAR'S OWNER - NOT OUR SUSPECT!



STEP TWO:  
HERE ARE SOME FINGERPRINTS FOUND ON THE CAR! ONE OF THE PRINTS DOES NOT BELONG TO THE CAR OWNER!



CIRCLE THE FINGERPRINT THAT'S DIFFERENT! THAT ONE BELONGS TO OUR SUSPECT!



STEP THREE:  
MATCH THE FINGERPRINT YOU CIRCLED ABOVE TO ONE OF THE FINGERPRINTS ON THE RIGHT! THE ANSWER IS BELOW!



PRINT #1

PRINT #2

PRINT #3

THANKS!  
YOU'VE HELPED US IDENTIFY A SUSPECT IN OUR CASE!

ANSWER: Print #2 is the match!



# WORD FIND!

THESE WORDS  
ARE HIDDEN IN  
THE PUZZLE  
AT RIGHT!

SEARCH  
RESCUE  
DOGS  
PATROL  
SWAT  
DETECTIVE

FORENSIC  
RECORDS  
EDUCATION  
JAIL  
PREVENTION  
DEPUTY

C	O	K	F	P	A	R	E	C	O	R	D	S	H	S
E	S	Y	O	R	D	E	K	P	A	E	W	V	G	A
X	W	F	R	E	A	E	D	V	A	D	E	Y	U	S
H	A	R	E	V	L	J	T	U	T	T	O	L	U	E
Y	T	E	N	E	D	L	A	E	C	A	R	G	U	A
C	T	S	S	N	E	U	R	I	C	A	A	O	S	R
Z	F	C	I	T	P	A	D	O	L	T	T	A	L	C
E	D	U	C	I	U	P	C	O	B	M	I	I	I	H
N	G	E	G	O	T	I	B	Q	C	R	O	V	O	H
Z	Y	B	J	N	Y	L	P	U	L	C	U	Y	E	N



AT THE SHERIFF'S OFFICE, PEOPLE  
IN THE **RECORDS DEPARTMENT**  
WORK DAY AND NIGHT TO MAKE  
SURE THAT DEPUTY SHERIFFS HAVE  
ALL THE INFORMATION THEY NEED  
TO SERVE THE COMMUNITY!

THEY HAVE THE NAMES  
OF PEOPLE WHO  
HAVE WARRANTS FOR  
THEIR ARREST!



# Pretend YOU'RE a forensic artist!

ASK A FRIEND TO DESCRIBE THE FACE OF SOMEONE YOU KNOW! TRY AND DRAW THAT FACE FROM YOUR FRIEND'S DESCRIPTION!



THE SHERIFF'S OFFICE ALSO EMPLOYS A **FORENSIC ARTIST!**

THIS PERSON CAN TURN A DESCRIPTION OF A CRIMINAL INTO A **DRAWING** THE SHERIFF'S OFFICE CAN SHOW THE PUBLIC!



THE SHERIFF'S OFFICE ALSO RUNS THE COUNTY **JAIL** - WHERE CRIMINALS CAN GET HELP TO CHANGE THEIR WAYS!

AFTER THEIR RELEASE FROM JAIL, ADULTS IN CUSTODY WORK WITH **COMMUNITY CORRECTIONS** TO FIND WORK, GET HELP AND PUT THEIR LIVES BACK ON TRACK!

# JAIL MAZE

HELP THIS ADULT IN CUSTODY  
FIND HIS WAY THROUGH ALL  
THE STATIONS OF OUR  
COUNTY JAIL!



**Sally Port**  
Adults in custody enter the jail here!

An illustration showing a man in a striped shirt and cap being escorted by a police officer. They are walking past a police vehicle.

**Booking Area**  
Arrestees are searched, photographed, and fingerprinted here. Their property is taken and stored.

An illustration of a man in a striped shirt holding a sign that says "INMATE 1138". Next to him is a camera on a tripod, indicating a mugshot is being taken.

**Medical Facilities**  
Our medical unit features staff nurses and an on-call doctor. Adults in custody get a physical if they're jailed more than 14 days.

An illustration of a nurse in a white coat examining a man in a striped shirt who is sitting in a chair.

**Cell Blocks**

An illustration of a man in a striped shirt sitting on a bench inside a cell. The cell has a barred door and a window.

**Work Crews**  
Some adults in custody are assigned to work teams that perform labor outside the jail — including cleaning up trash and graffiti.

An illustration of three men in striped shirts working together to clean up a pile of trash and graffiti.

**Exercise Area**

An illustration of two men in striped shirts exercising in an open area. One is running and the other is standing.

**Counseling**  
Including group support meetings, religious services, and adult education

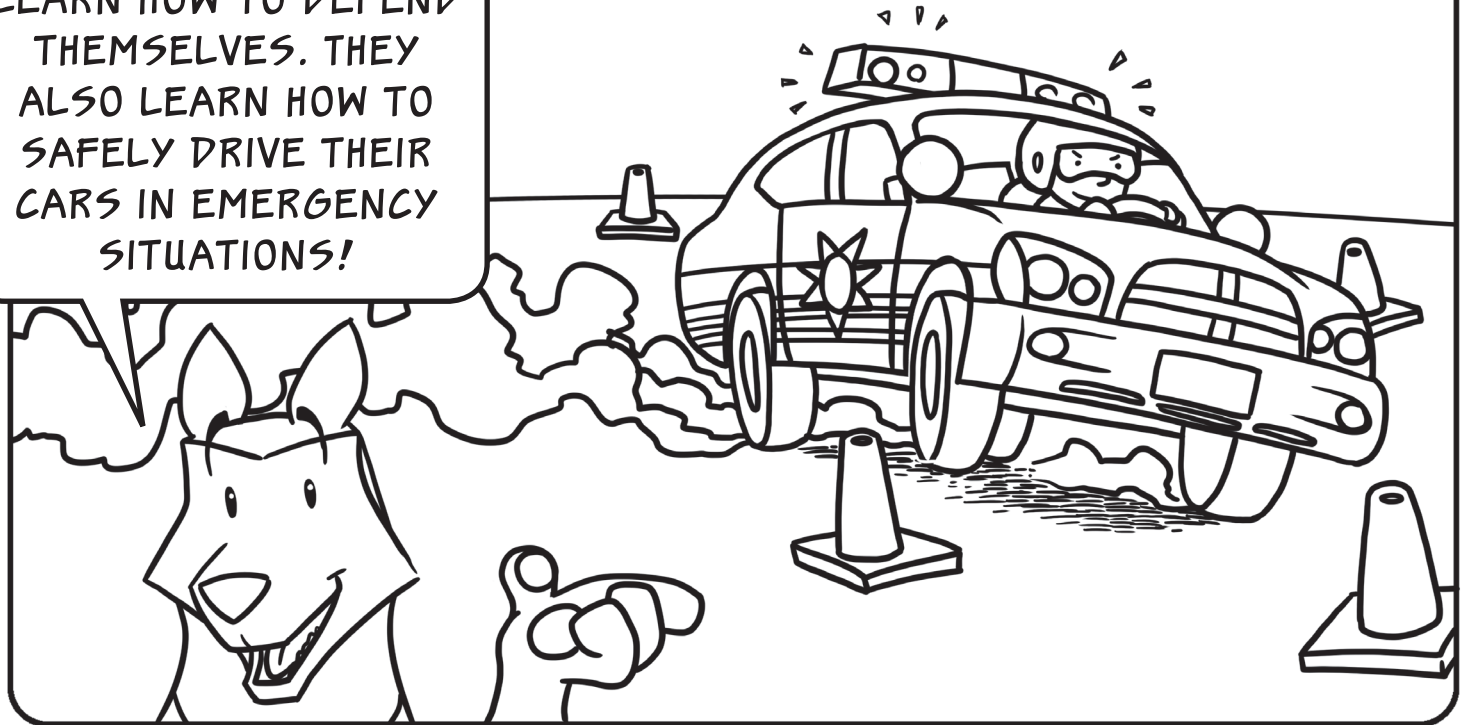
An illustration of a man in a striped shirt sitting at a table with a counselor. Another man is standing nearby. A sign on the wall says "COUNTY JAIL".

**FINISH!**

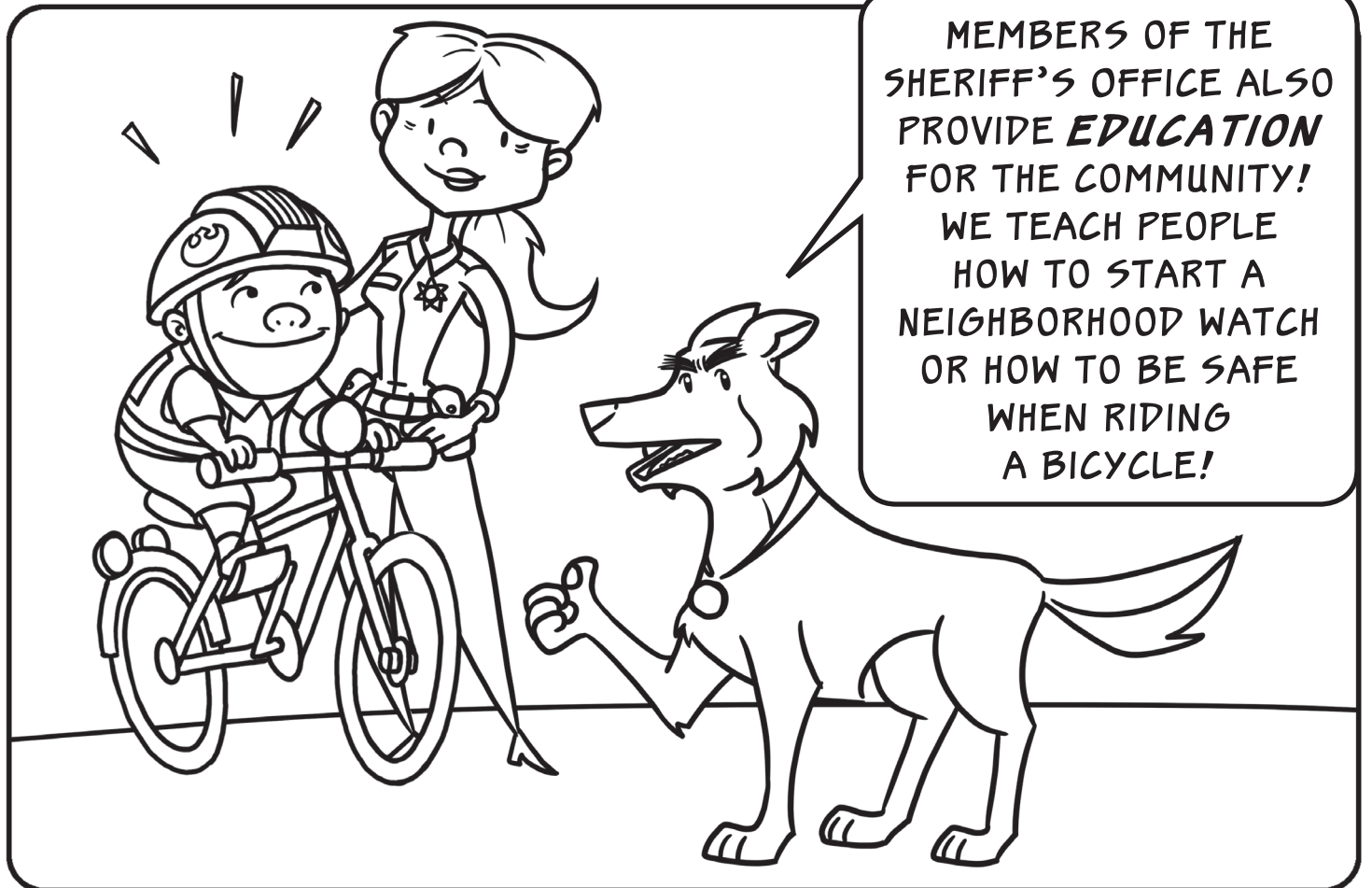
**Post-release Supervision**  
Community Corrections handles parole and probation and also offers counseling to help adults in custody return to civilian life!

The **Transition Center** also offers former adults in custody help looking for jobs, housing and more.

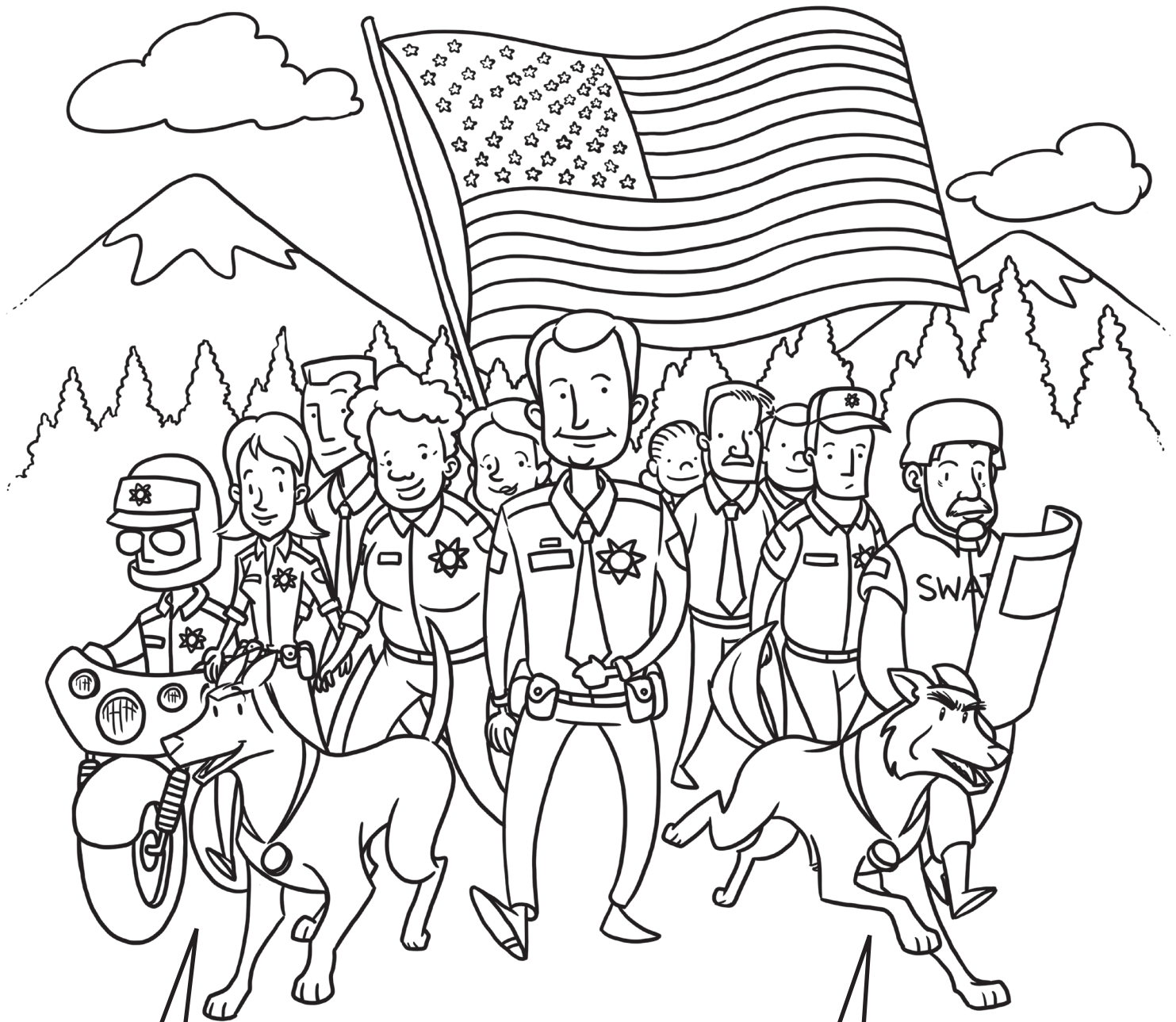
**TRAINING** IS A BIG PART OF WORKING AT THE SHERIFF'S OFFICE. DEPUTY SHERIFFS LEARN HOW TO DEFEND THEMSELVES. THEY ALSO LEARN HOW TO SAFELY DRIVE THEIR CARS IN EMERGENCY SITUATIONS!



MEMBERS OF THE SHERIFF'S OFFICE ALSO PROVIDE **EDUCATION** FOR THE COMMUNITY! WE TEACH PEOPLE HOW TO START A NEIGHBORHOOD WATCH OR HOW TO BE SAFE WHEN RIDING A BICYCLE!

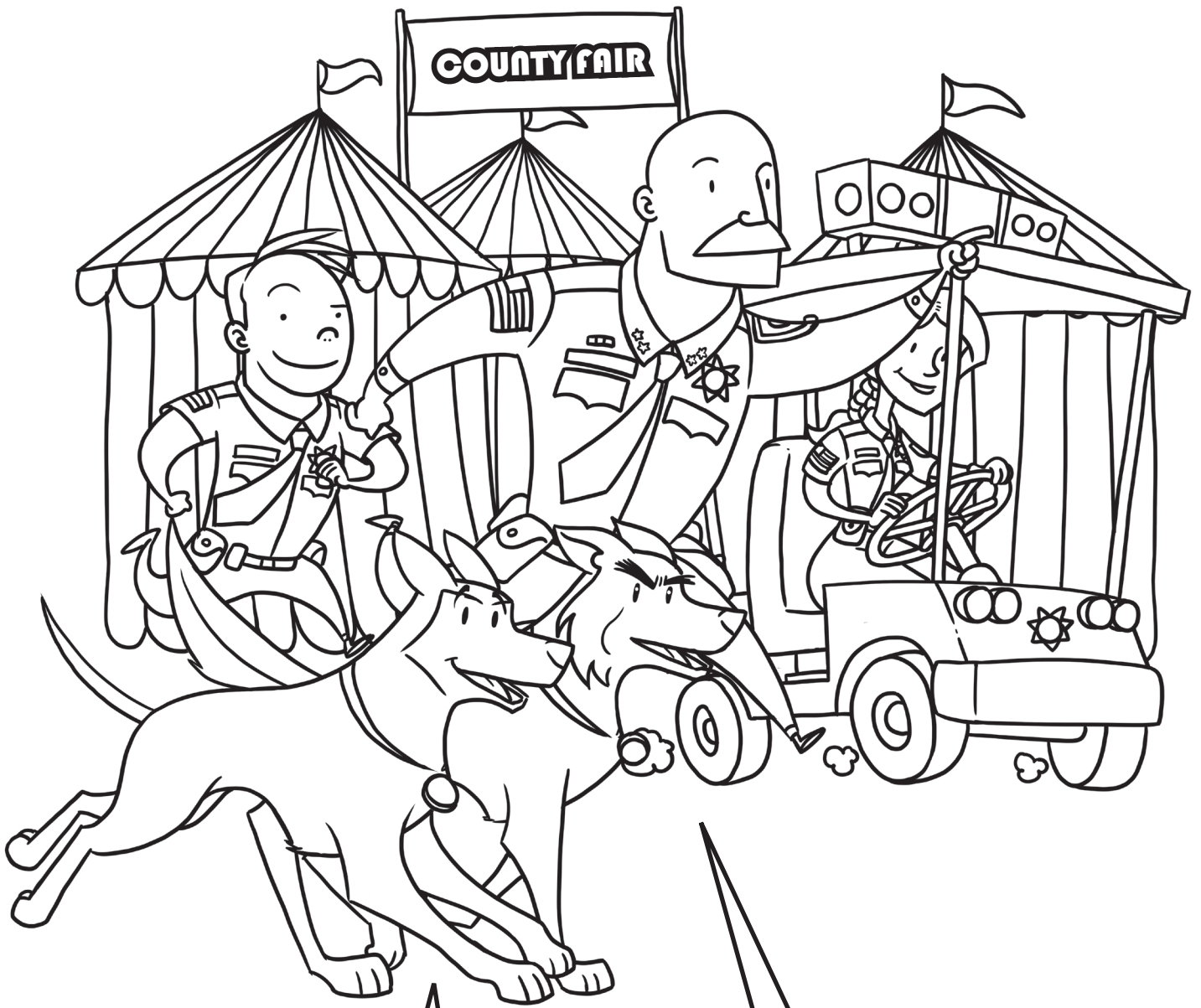






THE PERSON IN CHARGE OF THE SHERIFF'S OFFICE IS CALLED THE **SHERIFF**.

THE SHERIFF IS ELECTED BY THE PEOPLE IN THE COUNTY TO LEAD ALL THE DEPUTY SHERIFFS AND HELP KEEP EVERYBODY - INCLUDING **YOU** - SAFE.



DO YOU WANT TO BE  
PART OF THE SHERIFF'S  
OFFICE? ASK ABOUT THE  
***CADET PROGRAM!***

CADETS ARE YOUNG PEOPLE  
BETWEEN 15 AND 21 WHO LEARN  
ABOUT LAW ENFORCEMENT BY  
WORKING ***SIDE-BY-SIDE***  
WITH DEPUTY SHERIFFS!

To learn more, visit: [www.clackamas.us/sheriff/cadet.html](http://www.clackamas.us/sheriff/cadet.html)

# MIK & NERO'S TEACHING MOMENT!



YOU CAN FIND IMPORTANT  
SAFETY INFORMATION  
ON THE **WEB!**

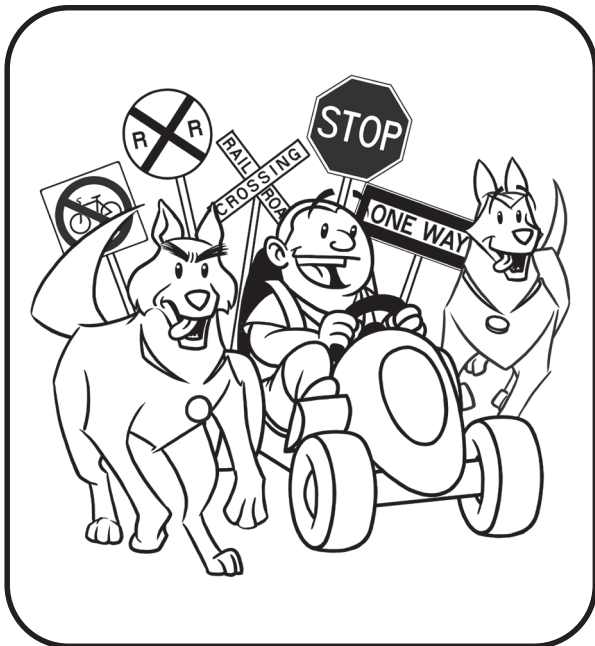
The National Crime Prevention Council  
**www.ncpc.org**

Safety Kids, Inc  
**www.SafetyKids.org**

YOU CAN LEARN MORE  
ABOUT THE SHERIFF'S  
OFFICE ON OUR WEBSITE...



**www.clackamas.us/sheriff/kids**



**Mik and Nero** served as real-life K9 deputies at the Clackamas County Sheriff's Office in Oregon. Their cartoon personas have become the office's ambassadors to children throughout the region and beyond. In a series of comics and coloring books, the pair deals with topics such as: pedestrian and traffic safety, drug abuse, underage drinking and more.

Learn more about Mik and Nero —  
and find more comics and activity books —  
at **www.clackamas.us/sheriff/kids**



**Clackamas County  
Sheriff's Office**

    @ClackCoSheriff

# WHAT DOES YOUR SHERIFF'S OFFICE DO FOR YOU?



**You've seen Deputy Sheriffs in your community! But do you know everything the Sheriff's Office does to protect, serve and educate the public?**

**In this coloring and activity book, K-9 Deputies Mik and Nero give young readers an action-packed tour of the Sheriff's Office — and show kids how **THEY** can get involved!**



**Clackamas County  
Sheriff's Office**



@ClackCoSheriff