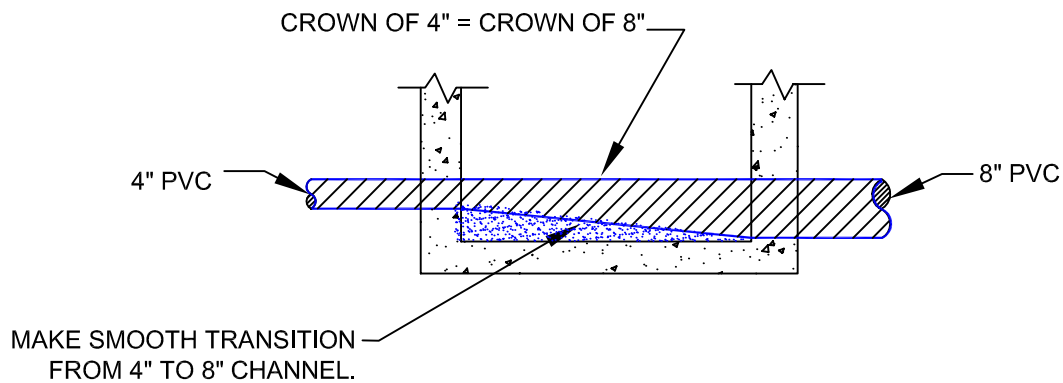


PLAN

NOTE:

1. THIS TYPE OF CONNECTION IS ALLOWED ONLY ON END OF RUN MANHOLES WITH DISTRICT APPROVAL.
2. MAXIMUM NUMBER OF SERVICE CONNECTIONS INTO A MANHOLE IS TWO.



SECTION A-A

SERVICE CONNECTION

MANHOLE

SCALE: NTS