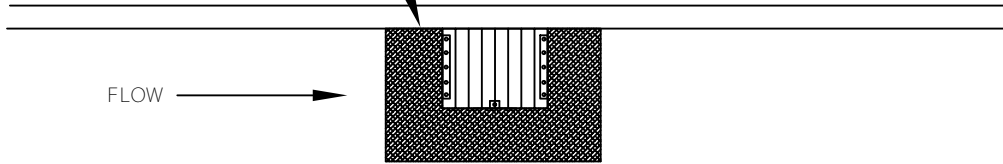
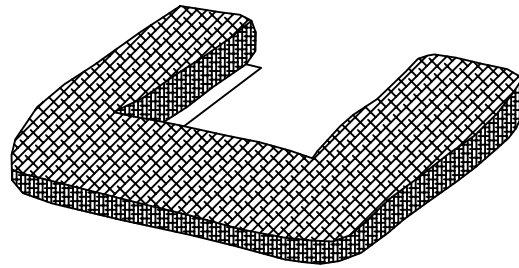
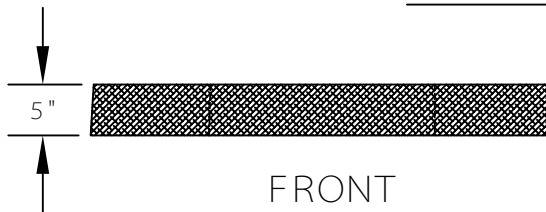


MAY BE USED SHORT TERM W / UTILITY
WORK AND W / PHASING OF
DEVELOPMENT

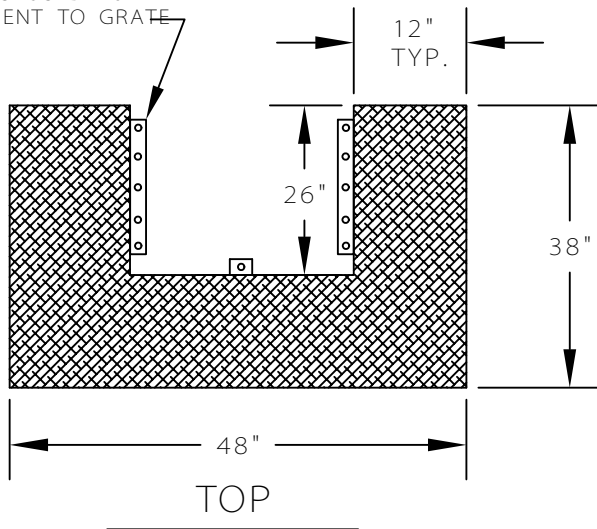
TIGHT TO CURB



CATCH BASIN



GROMMETS USED FOR
ATTACHMENT TO GRATE



INSTALLATION NOTES:

1. INSTALL SOLID FABRIC SIDE DOWN MESH SIDE UP.
2. ATTACH TO CATCH BASIN GRATE AT A MINIMUM OF 3 LOCATIONS TIGHT TO CURB WITH 1/4" ZIP TIES.

MAINTENANCE NOTES:

1. ANY VISIBLE SIGN OF SEDIMENT ACCUMULATION TO BE CLEANED UP AT THE END OF EACH WORKDAY.
2. REPLACE U - SHAPED FILTER BAG AS NECESSARY TO PREVENT WOOD CHIPS FROM ENTERING THE STORM SYSTEM.

INLET PROTECTION TYPE 6