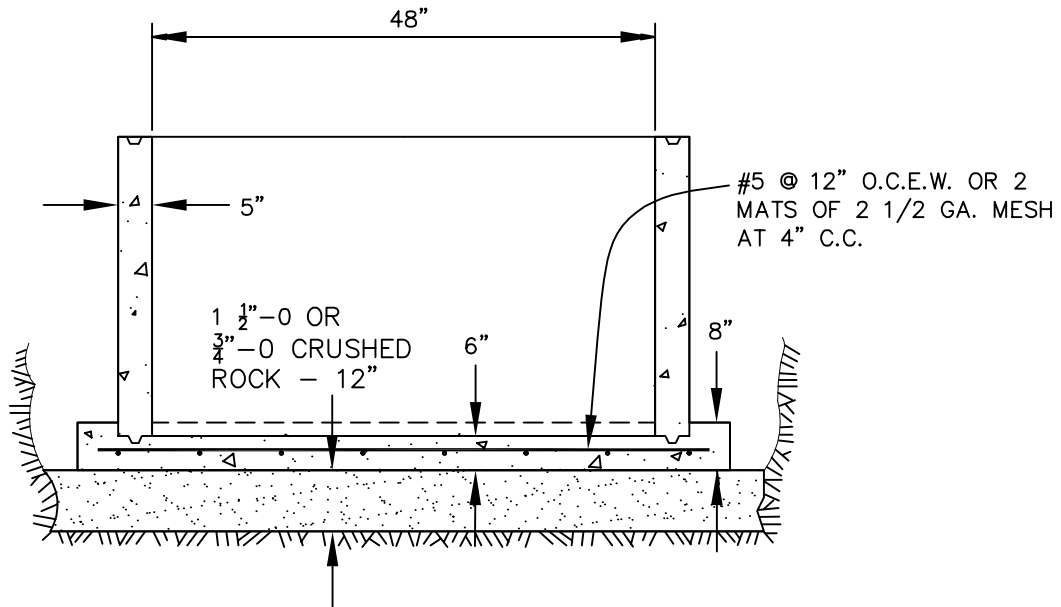


POURED IN PLACE MANHOLE BASE



PRE-CAST MANHOLE BASE

NOTES

1. SPECIFICATIONS FOR CONCRETE AND MISCELLANEOUS MATERIALS USED IN CONSTRUCTION SHALL CONFORM TO CURRENT ODOT/APWA STANDARD SPECIFICATIONS.