



Linu Parappilly
CIO / Director

Technology Services

1021 Courthouse Road Oregon City, OR 97045

December 05, 2024

BCC Agenda Date/Item: _____

Board of County Commissioners
Clackamas County

Approval of a Contract with North Sky Communications, LLC for broadband expansion in the Marmot Road project area. Total Contract Value is \$2,491,900 for 2 years. Funding is through County-approved American Rescue Plan Act funds. No County General Funds are involved.

Previous Board Action/Review	The Board has previously authorized construction contracts for broadband expansion with Roth Communications (20240314 III.B.1) for other areas within Clackamas County as part of the ARPA Broadband Expansion project.		
Performance Clackamas	1. Which indicator of success does this item affect? a. Build strong infrastructure b. Grow a vibrant economy		
Counsel Review	Yes	Procurement Review	Yes
Contact Person	Duke Dexter	Contact Phone	503-722-6663

EXECUTIVE SUMMARY:

Clackamas Broadband eXchange (CBX) is seeking authorization to enter into a contract with North Sky Communication, LLC for aerial and underground telecommunication construction in and around the SE Marmot Rd area Northeast of the City of Sandy. This new construction is part of Clackamas County’s broadband expansion plans for providing enhanced Internet service to unserved or underserved areas within Clackamas County as part of the American Rescue Plan Act (ARPA) funding. This new construction will pass approximately 500 residential sites.

RECOMMENDATION:

Staff respectfully recommends approval of the contract with North Sky Communication, LLC for a new construction contract in the Government Camp area. Staff further recommends the Board delegate authority to the Technology Services Director to sign agreements necessary in the performance of this agreement.

Respectfully submitted,

Linu Parappilly
Linu Parappilly
CIO Director

For Filing Use Only



CLACKAMAS COUNTY
PUBLIC IMPROVEMENT CONTRACT
Contract #1049

This Public Improvement Contract (the "Contract"), is made by and between the Clackamas County, a political subdivision of the State of Oregon ("Owner"), and **North Sky Communications, LLC** (the "Contractor"), both collectively the "Parties". This Contract shall become effective on the date this Contract has been signed by all the Parties and shall expire upon completion the completion of all obligations under the terms of this Contract unless terminated earlier by the Parties.

All capitalized terms in this Contract shall have the meanings identified in the Clackamas County General Conditions for Public Improvement Contracts (10/13/2021) ("General Conditions") referenced within the Instructions to Bidders.

Project Name: #2024-35 CBX Marmot Project

1. Contract Price, Contract Documents and Work.

The Contractor hereby agrees to perform all Work described in, and reasonably inferred from, the Contract Documents. In consideration of the Contractor performing the Work in accordance with the terms of the Contract, the Owner agrees to pay the Contractor the sum of **Two Million Four Hundred Ninety-One Thousand Nine Hundred Dollars (\$2,491,900.00)** (the "Contract Price"). Payment will be made in accordance with the terms and conditions provided in the Contract Documents. The Contract Price is the amount contemplated by the Base Bid adjusted for Alternates, as indicated in the accepted Bid.

The following documents are incorporated by reference in this Contract and made a part hereof:

- Notice of Contract Opportunity
- Supplemental Instructions to Bidders
- Bid Form
- Clackamas County General Conditions
- Prevailing Wage Rates
- Plans, Specifications and Drawings
- Instructions to Bidders
- Bid Bond
- Performance Bond and Payment Bond
- Supplemental General Conditions
- Payroll and Certified Statement Form
- Addenda 3

2. Representatives.

Contractor has named James Forte as its Authorized Representative to act on its behalf. Owner designates, or shall designate, its Authorized Representative as indicted below (check one):

Unless otherwise specified in the Contract Documents, the Owner designates Duke Dexter as its Authorized Representative in the administration of this Contract. The above-named individual shall be the initial point of contact for matters related to Contract performance, payment, authorization, and to carry out the responsibilities of the Owner.

Name of Owner's Authorized Representative shall be submitted by Owner in a separate writing.

3. Key Persons.

The Contractor's personnel identified below shall be considered Key Persons and shall not be replaced during the project without the written permission of Owner, which shall not be unreasonably withheld. If the Contractor intends to substitute personnel, a request must be given to Owner at least 30 days prior to the intended time of substitution. When replacements have been approved by Owner, the Contractor shall provide a transition period of at least 10 working days during which the original and replacement personnel shall be

working on the project concurrently. Once a replacement for any of these staff members is authorized, further replacement shall not occur without the written permission of Owner. The Contractor's project staff shall consist of the following personnel:

Project Executive: James Forte shall be the Contractor's project executive, and will provide oversight and guidance throughout the project term.

Project Manager: Cody Bauer shall be the Contractor's project manager and will participate in all meetings throughout the project term.

4. Contract Dates.

The Contractor agrees to complete the Work in accordance with the following key dates:

COMMENCEMENT DATE: Upon Issuance of Notice to Proceed

SUBSTANTIAL COMPLETION DATE: January 30, 2026

FINAL COMPLETION DATE: June 30, 2026

Time is of the essence for this Contract. It is imperative that the Work in this Contract reach Substantial Completion and Final Completion by the above specified dates.

5. Insurance Certificates.

In accordance with Section G.3.5 of the General Conditions, Contractor shall furnish proof of the required insurance naming Clackamas County as an additional insured. Insurance certificates may be returned with the signed Contract or may be emailed to the County Contract Analyst.

6. Reserved.

7. Tax Compliance.

The Contractor shall comply with all federal, state and local laws, regulation, executive orders and ordinances applicable to this Contract. Contractor represents and warrants that it has complied, and will continue to comply throughout the duration of this Contract and any extensions, with all tax laws of this state or any political subdivision of this state, including but not limited to ORS 305.620 and ORS chapters 316, 317, and 318. Any violation of this section shall constitute a material breach of this Contract and shall entitle County to terminate this Contract, to pursue and recover any and all damages that arise from the breach and the termination of this Contract, and to pursue any or all of the remedies available under this Contract or applicable law.

8. Confidential Information.

Contractor acknowledges that it and its employees or agents may, in the course of performing their responsibilities under this Contract, be exposed to or acquire information that is confidential to Owner. Any and all information of any form obtained by Contractor or its employees or agents in the performance of this Contract shall be deemed confidential information of Owner ("Confidential Information"). Contractor agrees to hold Confidential Information in strict confidence, using at least the same degree of care that Contractor uses in maintaining the confidentiality of its own confidential information, and not to copy, reproduce, sell, assign, license, market, transfer or otherwise dispose of, give, or disclose Confidential Information to third parties or use Confidential Information for any purpose unless specifically authorized in writing under this Contract.

9. Counterparts.

This Contract may be executed in several counterparts, all of which when taken together shall constitute an agreement binding on all Parties, notwithstanding that all Parties are not signatories to the same counterpart. Each copy of the Contract so executed shall constitute an original.

10. Integration.

All provisions of state law required to be part of this Contract, whether listed in the General or Special Conditions or otherwise, are hereby integrated and adopted herein. Contractor acknowledges the obligations thereunder and that failure to comply with such terms is a material breach of this Contract.

The Contract Documents constitute the entire agreement between the parties. There are no other understandings, agreements or representations, oral or written, not specified herein regarding this Contract. Contractor, by the signature below of its authorized representative, hereby acknowledges that it has read this Contract, understands it, and agrees to be bound by its terms and conditions.

11. Compliance with Applicable Law. Contractor shall comply with all federal, state, county, and local laws, ordinances, and regulations applicable to the Work to be done under this Contract including, but not limited to, compliance with the prohibitions set forth in ORS 652.220, compliance of which is a material element of this Contract and failure to comply is a material breach that entitles County to exercise any rights and remedies available under this Contract including, but not limited to, termination for default.

12. Responsibility for Taxes. Contractor is solely responsible for payment of any federal, state, or local taxes required as a result of the Contract or the Work including, but not limited, to payment of the corporate activity tax imposed under enrolled HB 3427 (2019 Oregon regular legislative session). Contractor may not include its federal, state, or local tax obligations as part of the cost to perform the Work.

13. Federal Contracting Requirements. County intends that all or a portion of the consideration paid to Contractor is eligible for reimbursement by one or more federal agencies including, but not limited to, the Federal Emergency Management Agency. This Contract is subject to the additional terms and conditions, required by federal law for a federal award, set in Exhibit A, attached hereto and incorporated by this reference herein. All terms and conditions required under applicable federal law for a federal award including, but not limited to, 2 C.F.R. § 200.327 and 2 C.F.R. § Pt. 200, App. II, are hereby incorporated by this reference herein.

Contractor shall, as soon as commercially practicable, register itself with the federal System for Award Management (SAM). Information regarding registration with SAM may be found at <https://www.sam.gov>.

In witness whereof, Owner executes this Contract and the Contractor does execute the same as of the day and year first above written.

Contractor DATA:

North Sky Communications, LLC
16701 SE McGillivray Blvd, Suite 200
Vancouver, WA 98683

Contractor CCB # 208747 Expiration Date: 3/1/2026
Oregon Business Registry # 1156762-98 Entity Type: FLLC


State of Formation: Delaware

Signature Page Follows

Payment information will be reported to the IRS under the name and taxpayer ID# provided by the Contractor. Information must be provided prior to contract approval. Information not matching IRS records could subject Contractor to 28 percent backup withholding.

North Sky Communications, LLC

Clackamas County

 11-18-24
Authorized Signature _____ Date _____ Chair _____ Date _____

Rodney R. Kuenzi - President
Name / Title Printed _____

Recording Secretary _____


APPROVED AS TO FORM
 11/20/2024
County Counsel _____ Date _____

Exhibit A
ADDITIONAL FEDERAL TERMS AND CONDITIONS

As used herein, “Contractor” means **North Sky Communication, LLC**, and “County” means Clackamas County, a political subdivision of the State of Oregon.

1. The County intends that all or a portion of the consideration paid to Contractor will be eligible for reimbursement by one or more federal agencies including, but not limited to, the Federal Emergency Management Agency (“FEMA”). This Contract is subject to the additional terms and conditions required by federal law for a federal award. All terms and conditions required under applicable federal law for a federal award including, but not limited to, 2 C.F.R. § 200.326 and 2 C.F.R. § Pt. 200, App. II, are hereby incorporated by this reference herein.
2. Termination. This Contract may be terminated by mutual agreement of the parties or by the County for one of the following reasons: (i) for convenience upon thirty (30) days written notice to Contractor; or (ii) at any time the County fails to receive funding, appropriations, or other expenditure authority as solely determined by the County.
3. By execution of this Contract, Contractor hereby certifies that it and all subcontractors will comply with (i) all Federal statutes relating nondiscrimination, including, but not limited to: Title VI of the Civil Rights Act of 1964 (P.L. 88-352) which prohibits discrimination on the basis race, color or national origin; Title IX of the Education Amendments of 1972, as amended (20 U.S.C. §§1681 et seq.), which prohibits discrimination on the basis of sex; the Age Discrimination Act of 1975, as amended (29 U.S.C. §§6101 et seq.), which prohibits discrimination on the basis of age; the Rehabilitation Act of 1973, as amended (29 U.S.C. §§793 et seq.), which prohibits discrimination against requires affirmative action for qualified individuals with disabilities; the Drug Abuse Office and Treatment Act of 1972 (P.L. 92-255), as amended, relating to nondiscrimination on the basis of drug abuse; the Comprehensive Alcohol Abuse and Alcoholism Prevention, Treatment and Rehabilitation Act of 1970 (42 U.S.C. §§4541 et seq.), as amended, relating to nondiscrimination on the basis of alcohol abuse or alcoholism; §§523 and 527 of the Public Health Service Act of 1912 (4s U.S.C. §§290 dd-3 and 290 ee-3), as amended, relating to confidentiality of alcohol and drug abuse patient records; Title VII of the Civil Rights Act of 1969 (42 U.S.C. §§3601 et seq.), as amended, relating to nondiscrimination in the sale, rental or financing of housing; any other discrimination provisions in the specific statute(s) under which for Federal assistance is being made; and the requirements of any other nondiscrimination statute(s) which may apply; (ii) will comply with the Byrd Anti-Lobbying Amendment (31 U.S.C. 1352 et. seq.), and shall file the required certification if the award is \$100,000 or more; and (iii) will comply with the provisions of the Hatch Act (5 U.S.C. §§1501-1508 and 7324-7328) which limit the political activities of employees whose principal employment activities are funded in whole or in part with Federal funds.
4. During the performance of this Contract, the Contractor agrees as follows:
 - a. Contractor will not discriminate against any employee or applicant for employment because of race, color, religion, sex, sexual orientation, gender identity, or national origin. Contractor will take affirmative action to ensure that applicants are employed, and that employees are treated during employment without regard to their race, color, religion, sex, sexual orientation, gender identity, or national origin. Such action shall include, but not be limited to the following:

Employment, upgrading, demotion, or transfer; recruitment or recruitment advertising; layoff or termination; rates of pay or other forms of compensation; and selection for training, including apprenticeship. Contractor agrees to post in conspicuous places, available to employees and applicants for employment, notices to be provided setting forth the provisions of this nondiscrimination clause.
 - b. Contractor will, in all solicitations or advertisements for employees placed by or on behalf of the contractor, state that all qualified applicants will receive consideration for employment without regard to race, color, religion, sex, sexual orientation, gender identity, or national origin.

- c. Contractor will not discharge or in any other manner discriminate against any employee or applicant for employment because such employee or applicant has inquired about, discussed, or disclosed the compensation of the employee or applicant or another employee or applicant. This provision shall not apply to instances in which an employee who has access to the compensation information of other employees or applicants as a part of such employee's essential job functions discloses the compensation of such other employees or applicants to individuals who do not otherwise have access to such information, unless such disclosure is in response to a formal complaint or charge, in furtherance of an investigation, proceeding, hearing, or action, including an investigation conducted by the employer, or is consistent with the contractor's legal duty to furnish information.
- d. Contractor will send to each labor union or representative of workers with which he has a collective bargaining agreement or other contract or understanding, a notice to be provided advising the said labor union or workers' representatives of the contractor's commitments under this section, and shall post copies of the notice in conspicuous places available to employees and applicants for employment.
- e. Contractor will comply with all provisions of Executive Order 11246 of September 24, 1965, and of the rules, regulations, and relevant orders of the Secretary of Labor.
- f. Contractor will furnish all information and reports required by Executive Order 11246 of September 24, 1965, and by rules, regulations, and orders of the Secretary of Labor, or pursuant thereto, and will permit access to his books, records, and accounts by the administering agency and the Secretary of Labor for purposes of investigation to ascertain compliance with such rules, regulations, and orders.
- g. In the event of the Contractor's noncompliance with the nondiscrimination clauses of this contract or with any of the said rules, regulations, or orders, this contract may be canceled, terminated, or suspended in whole or in part and the contractor may be declared ineligible for further Government contracts or federally assisted construction contracts in accordance with procedures authorized in Executive Order 11246 of September 24, 1965, and such other sanctions may be imposed and remedies invoked as provided in Executive Order 11246 of September 24, 1965, or by rule, regulation, or order of the Secretary of Labor, or as otherwise provided by law.
- h. Contractor will include the portion of the sentence immediately preceding paragraph (a) and the provisions of paragraphs (a) through (h) in every subcontract or purchase order unless exempted by rules, regulations, or orders of the Secretary of Labor issued pursuant to section 204 of Executive Order 11246 of September 24, 1965, so that such provisions will be binding upon each subcontractor or vendor. Contractor will take such action with respect to any subcontract or purchase order as the administering agency may direct as a means of enforcing such provisions, including sanctions for noncompliance:

Provided, however, that in the event a contractor becomes involved in, or is threatened with, litigation with a subcontractor or vendor as a result of such direction by the administering agency, the contractor may request the United States to enter into such litigation to protect the interests of the United States.

The applicant further agrees that it will be bound by the above equal opportunity clause with respect to its own employment practices when it participates in federally assisted construction work: Provided, That if the applicant so participating is a State or local government, the above equal opportunity clause is not applicable to any agency, instrumentality or subdivision of such government which does not participate in work on or under the contract.

The applicant agrees that it will assist and cooperate actively with the administering agency and the Secretary of Labor in obtaining the compliance of contractors and subcontractors with the equal opportunity clause and the rules, regulations, and relevant orders of the Secretary of Labor, that it will furnish the administering agency and the Secretary of Labor such information as they may require for

the supervision of such compliance, and that it will otherwise assist the administering agency in the discharge of the agency's primary responsibility for securing compliance.

The applicant further agrees that it will refrain from entering into any contract or contract modification subject to Executive Order 11246 of September 24, 1965, with a contractor debarred from, or who has not demonstrated eligibility for, Government contracts and federally assisted construction contracts pursuant to the Executive Order and will carry out such sanctions and penalties for violation of the equal opportunity clause as may be imposed upon contractors and subcontractors by the administering agency or the Secretary of Labor pursuant to Part II, Subpart D of the Executive Order. In addition, the applicant agrees that if it fails or refuses to comply with these undertakings, the administering agency may take any or all of the following actions: Cancel, terminate, or suspend in whole or in part this grant (contract, loan, insurance, guarantee); refrain from extending any further assistance to the applicant under the program with respect to which the failure or refund occurred until satisfactory assurance of future compliance has been received from such applicant; and refer the case to the Department of Justice for appropriate legal proceedings.

5. Compliance with the Davis-Bacon Act. All transactions regarding this Contract shall be done in compliance with the Davis-Bacon Act (40 U.S.C. 3141- 3144, and 3146-3148) and the requirements of 29C.F.R. pt. 5 as may be applicable. Contractor shall comply with 40 U.S.C. 3141-3144, and 3146-3148 and the requirements of 29 C.F.R. pt. 5 as applicable. Contractors are required to pay wages to laborers and mechanics at a rate not less than the prevailing wages specified in a wage determination made by the Secretary of Labor. Additionally, contractors are required to pay wages not less than once a week.
6. Compliance with the Copeland "Anti-Kickback" Act.
 - a. Contractor. The Contractor shall comply with 18 U.S.C. § 874, 40 U.S.C. § 3145, and the requirements of 29 C.F.R. pt. 3 as may be applicable, which are incorporated by reference into this contract.
 - b. Subcontracts. The Contractor or subcontractor shall insert in any subcontracts the clause above and such other clauses as FEMA may by appropriate instructions require, and also a clause requiring the subcontractors to include these clauses in any lower tier subcontracts. The prime contractor shall be responsible for the compliance by any subcontractor or lower tier subcontractor with all of these contract clauses.
 - c. Breach. A breach of the Contract clauses above may be grounds for termination of the contract, and for debarment as a contractor and subcontractor as provided in 29 C.F.R. § 5.12.
7. If this Contract involves a federal award that meets the definition of a "funding agreement" under 37 CFR § 401.2 (a), and the recipient or subrecipient wishes to enter into a contract with a small business firm or nonprofit organization regarding the substitution of parties, assignment or performance of experimental, developmental, or research work under that "funding agreement," the recipient or subrecipient must comply with the requirements of 37 CFR Part 401, "Rights to Inventions Made by Nonprofit Organizations and Small Business Firms Under Government Grants, Contracts and Cooperative Agreements," and any implementing regulations issued by the awarding agency.
8. If this Agreement is in excess of \$150,000, Contractor certifies that it and all subcontractors will comply with all applicable standards, orders or regulations issued pursuant to the Clean Air Act, 42 U.S.C. 7401 et seq., and the Federal Water Pollution Control Act, as amended 33 U.S.C. 1251 et seq. Violations shall be reported to the awarding Federal Department and the appropriate Regional Office of the Environmental Protection Agency. Contractor shall include these requirements in all contracts with subcontractors receiving more than \$150,000.
9. If this Agreement is in excess of \$100,000 and involves the employment of mechanics or laborers, Contractor and all subcontractors will comply with all applicable standards, orders or regulations issued pursuant to the Contract Work Hours and Safety Standards Act 40 USC §§3701 et seq. as supplemented by Department of Labor regulations at 29 C.F.R. Part 5. See 2 C.F.R. Part 200, Appendix II, ¶ E. Under 40 U.S.C. § 3702, each contractor must be required to compute the wages of every mechanic and laborer on the basis of a standard work week of 40 hours. Work in excess of the standard work week is permissible provided that the worker is compensated at a rate of not less than one and a half times the basic rate of pay for all hours worked in excess of

40 hours in the work week. Further, no laborer or mechanic must be required to work in surroundings or under working conditions which are unsanitary, hazardous, or dangerous. Contractor shall include and require all providers to include in all contracts with subcontractors receiving more than \$100,000, language requiring the subcontractor to comply with the federal laws identified in this section.

10. Contractor shall comply with 2 CFR Part 180 (including executive orders 12549 and 12689). These regulations restrict sub-awards and contracts with certain parties that are debarred, suspended or otherwise excluded from or ineligible for participation in federal assistance programs or activities. Contractor is responsible for further requiring the inclusion of a similar term or condition in any subsequent lower tier covered transactions. Contractor may access the Excluded Parties List System at <https://www.sam.gov>. The Excluded Parties List System contains the names of parties debarred, suspended, or otherwise excluded by agencies, as well as parties declared ineligible under statutory or regulatory authority other than E.O. 12549 and 12689. Awards that exceed the simplified acquisition threshold shall provide the required certification regarding their exclusion status and that of their principals prior to award. Contractor is required to verify that none of the Contractor's principals (defined at 2 C.F.R. 180.995) or its affiliates (defined at 2 C.F.R. 180.905) are excluded (defined at 2 C.F.R. 180.940) or disqualified (defined at 2 C.F.R. 180.935). The Contractor must comply with 2 C.F.R. pt. 180, subpart C and 2 C.F.R. pt. 3000, subpart C, and must include a requirement to comply with these regulations in any lower tier covered transaction that Contractor enters into. This certification is a material representation of fact relied upon by the County. If it is later determined that the Contractor did not comply with 2 C.F.R. pt. 180, subpart C and 2 C.F.R. pt. 3000, subpart C, then in addition to remedies available to the County, the Federal Government may pursue available remedies, including but not limited to suspension and/or debarment.
11. Record Retention. Contractor will retain and keep accessible all such financial records, books, documents, papers, plans, records of shipments and payments and writings that are directly related to this Agreement for a minimum of six (6) years, or such longer period as may be required by the federal agency or applicable state law, following final payment and termination of this Agreement, or until the conclusion of any audit, controversy or litigation arising out of or related to this Agreement, whichever date is later, according to 2 CFR 200.333-337. Contractor agrees to provide to the County, to the FEMA Administrator, to the Comptroller General of the United States, or to any of their authorized representatives, access to any books, documents, papers, and records of the Contractor which are directly pertinent to this contract for the purposes of making audits, examinations, excerpts, and transcriptions. Contractor agrees to permit any of the foregoing parties to reproduce by any means whatsoever or to copy excerpts and transcriptions as reasonably needed. The Contractor agrees to provide the FEMA Administrator or the Administrator's authorized representative's access to construction or other work sites pertaining to the Work being completed under the Contract. In compliance with the Disaster Recovery Act of 2018, the County and the Contractor acknowledge and agree that no language in this Contract is intended to prohibit audits or internal reviews by the approved federal administrator, including the FEMA Administrator or the Comptroller General of the United States.
12. DHS Seal, Logo, and Flags: Contractor shall not use the DHS seal(s), logos, crests, or reproductions of flags or likenesses of DHS agency officials without specific FEMA pre-approval.
13. Compliance with Federal Law, Regulations, and Executive Orders: This is an acknowledgement that FEMA financial assistance may be used to fund this Contract only. Contractor will comply with all federal law, regulations, executive orders, FEMA policies, procedures, and directives.
14. No Obligation by Federal Government: The Federal Government is not a party to this Contract and is not subject to any obligations or liabilities to the non-Federal entity, Contractor, or any other party pertaining to any matter resulting from the contract.
15. Program Fraud and False or Fraudulent Statements or Related Acts: Contractor acknowledges the 31 U.S.C. Chapter 38 (Administrative Remedies for False Claims and Statements) applies to the Contractor's actions pertaining to this Contract.
16. Contractor will comply with all applicable requirements of 2 CFR 200.216, and 2 CFR 200.321.
17. Build America, Buy America (BABA). Contractor must comply with 2 CFR 200.322, Domestic Preferences

for Procurements. To the greatest extent practicable, this requires the use of domestically produced iron, steel, manufactured products, and construction materials in all federally funded infrastructure projects. Contractor agrees to:

- Include the domestic preference requirement in all contracts and subcontracts related to the federally funded project, where applicable.
 - Ensure that all applicable procurements are conducted in compliance with this requirement, providing documentation to demonstrate adherence.
 - Notify the County of any anticipated deviations or waivers to the BABA requirements, in accordance with federal guidelines.
 - This clause applies only to projects and activities subject to BABA requirements under federal law or regulation.
18. Procurement of Recovered Materials (Reference 2 CFR 200.322): Contractor must comply with section 6002 of the Solid Waste Disposal Act, as amended by the Resource Conservation and Recovery Act. Information about this requirement, along with the list of EPA-designate items, is available at EPA’s Comprehensive Procurement Guidelines web site, <https://www.epa.gov/smm/comprehensive-procurement-guideline-cpg-program>.
19. Byrd Anti-Lobbying Amendment, 31 U.S.C. § 1352 (as amended). Contractors who apply or bid for an award of \$100,000 or more shall file the required certification, set forth below. Each tier certifies to the tier above that it will not and has not used Federal appropriated funds to pay any person or organization for influencing or attempting to influence an officer or employee of any agency, a Member of Congress, officer or employee of Congress, or an employee of a Member of Congress in connection with obtaining any Federal contract, grant, or any other award covered by 31 U.S.C. § 1352. Each tier shall also disclose any lobbying with non-Federal funds that takes place in connection with obtaining any Federal award. Such disclosures are forwarded from tier to tier up to the recipient who in turn will forward the certification(s) to the awarding agency.

Contractor hereby makes the following certification:

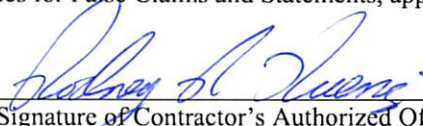
Byrd Anti-Lobbying Amendment Certification for Contracts, Grants, Loans, and Cooperative Agreements

The undersigned certifies, to the best of his or her knowledge and belief, that:

- A. No Federal appropriated funds have been paid or will be paid, by or on behalf of the undersigned, to any person for influencing or attempting to influence an officer or employee of an agency, a Member of Congress, an officer or employee of Congress, or an employee of a Member of Congress in connection with the awarding of any Federal contract, the making of any Federal grant, the making of any Federal loan, the entering into of any cooperative agreement, and the extension, continuation, renewal, amendment, or modification of any Federal contract, grant, loan, or cooperative agreement.
- B. If any funds other than Federal appropriated funds have been paid or will be paid to any person for influencing or attempting to influence an officer or employee of any agency, a Member of Congress, an officer or employee of Congress, or an employee of a Member of Congress in connection with this Federal contract, grant, loan, or cooperative agreement, the undersigned shall complete and submit Standard Form-LLL, “Disclosure Form to Report Lobbying,” in accordance with its instructions.
- C. The undersigned shall require that the language of this certification be included in the award documents for all subawards at all tiers (including subcontracts, subgrants, and contracts under grants, loans, and cooperative agreements) and that all subrecipients shall certify and disclose accordingly.

This certification is a material representation of fact upon which reliance was placed when this transaction was made or entered into. Submission of this certification is a prerequisite for making or entering into this transaction imposed by section 1352, title 31, U.S. Code. Any person who fails to file the required certification shall be subject to a civil penalty of not less than \$10,000 and not more than \$100,000 for each such failure.

The Contractor, certifies or affirms the truthfulness and accuracy of each statement of its certification and disclosure, if any. In addition, the Contractor understands and agrees that the provisions of 31 U.S.C. Chap. 38, Administrative Remedies for False Claims and Statements, apply to this certification and disclosure, if any.



Signature of Contractor's Authorized Official

Rodney R. Kuenzi - President

Name and Title of Contractor's Authorized Official

11-18-24

Date



CLACKAMAS COUNTY PUBLIC IMPROVEMENT CONTRACT OPPORTUNITY

Table of Contents

Section B-1	Notice of Public Improvement Contract Opportunity
Section B-2	Instructions to Bidders
Section B-3	Supplemental Instructions to Bidders
Section B-4	Bid Bond
Section B-5	Bid Form
Section B-6	Public Improvement Contract
Section B-7	Supplemental General Conditions
Section B-8	General Conditions
Section B-9	Performance Bond
Section B-10	Payment Bond
Section B-11	Project Information, Plans, Specifications and Drawings



CLACKAMAS COUNTY
NOTICE OF PUBLIC IMPROVEMENT CONTRACT OPPORTUNITY

INVITATION TO BID #2024-35
CBX Marmot Project
September 11, 2024

Clackamas County (“County”) through its Board of County Commissioners is accepting sealed bids for the **CBX Marmot Project** until **October 9, 2024, 2:00 PM**, Pacific Time, (“Bid Closing”) at the following location:

Bidding Documents can be downloaded from the state of Oregon procurement website (“OregonBuys”) at the following address: <https://oregonbuys.gov/bsv/view/login/login.xhtml>, Document No.S-C01010-00011516.

Prospective Bidders will need to sign in to download the information and that information will be accumulated for a Plan Holder's List. Prospective Bidders are responsible for obtaining any Addenda from Website listed above.

Submitting Proposals: Bid Locker

Proposals will only be accepted electronically thru a secure online bid submission service, **Bid Locker**. *Email submissions to Clackamas County email addresses will no longer be accepted.*

- A. Completed proposal documents must arrive electronically via Bid Locker located at <https://bidlocker.us/a/clackamascountry/BidLocker>.
- B. Bid Locker will electronically document the date and time of all submissions. Completed documents must arrive by the deadline indicated in Section 1 or as modified by Addendum. **LATE PROPOSALS WILL NOT BE ACCEPTED.**
- C. Proposers must register and create a profile for their business with Bid Locker in order to submit for this project. It is free to register for Bid Locker.
- D. Proposers with further questions concerning Bid Locker may review the Vendor’s Guide located at <https://www.clackamas.us/how-to-bid-on-county-projects>.

Engineers Estimate: \$3,500,000.00

A Mandatory Pre-Bid Conference will be conducted on **October 3, 2024 at 10:00 AM**. Bidders shall meet with County representatives at **Clackamas County Procurement Conference Room 497 Fourth Floor**, located at **2051 Kaen Road, Oregon City, Oregon** for that purpose. Attendance will be documented through a sign-in sheet prepared by the County representative. Prime bidders who arrive more than ten (10) minutes after the start time of the meeting (as stated in the solicitation and by the County’s watch) or after the discussion portion of the meeting (whichever comes first) shall not be permitted to sign in and will not be permitted to submit a bid on the project.

Bids will be opened and publicly read aloud at the above Delivery address after the Bid Closing. Bid results will also be posted to the OregonBuys listing shortly after the opening.

Contact Information

Procurement Process and Technical Questions: Tralee Whitley, TWhitley@clackamas.us.

Bids will be opened and publicly read aloud at the above Delivery address after the Bid Closing. Bid results will also be posted to the OregonBuys listing shortly after the opening.

Prevailing Wage

Prevailing Wage Rates requirements apply to this Project because the maximum compensation for all Owner-contracted Work is more than \$50,000. Contractor and all subcontractors shall comply with the provisions of ORS 279C.800 through 279C.870, relative to Prevailing Wage Rates. The Bureau of Labor and Industries (BOLI) wage rates and requirements set forth in the following BOLI booklet (and any listed amendments to that booklet), which are incorporated herein by reference, apply to the Work authorized under this Agreement:

PREVAILING WAGE RATES for Public Works Contracts in Oregon, July 5, 2024 which can be downloaded at the following web address: http://www.oregon.gov/boli/WHD/PWR/Pages/pwr_state.aspx

The Work will take place in Clackamas County, Oregon.

Clackamas County encourages bids from Minority, Women, and Emerging Small Businesses.



CLACKAMAS COUNTY PUBLIC IMPROVEMENT CONTRACT

INSTRUCTIONS TO BIDDERS

Clackamas County Local Contract Review Board Rules (“LCRB Rules”) govern this procurement process. LCRB Rules may be found at: <http://www.clackamas.us/code/documents/appendixc.pdf>. The Instructions to Bidders is applicable to the procurement process for Clackamas County, or any component unit thereof identified on the Notice of Public Improvement Contract Opportunity, herein after referred to as the “Owner.”

Article 1. Scope of Work

The work contemplated under this contract with the Owner, includes all labor, materials, transportation, equipment and services necessary for, and reasonably incidental to, the completion of all construction work in connection with the project described in the Project Manual which includes, but is not necessarily limited to, the Notice of Public Improvement Contract Opportunity, Instructions to Bidders, Supplemental Instructions to Bidders, Bid Form, Bid Bond, Public Improvement Contract Form, Performance Bond, Payment Bond, Clackamas County General Conditions for Public Improvement Contracts (10/13/2021), Supplemental General Conditions, and Plans, Specifications and Drawings.

Article 2. Examination of Site and Conditions

Before making a Bid, the Bidder shall examine the site of the work and ascertain all the physical conditions in relation thereto. The Bidder shall also make a careful examination of the Project Manual including the plans, specifications, and drawings and other contract documents, and shall be fully informed as to the quality and quantity of materials and the sources of supply of the materials. Failure to take these steps will not release the successful Bidder from entering into the contract nor excuse the Bidder from performing the work in strict accordance with the terms of the contract at the

price established by the Bid.

The Owner will not be responsible for any loss or for any unanticipated costs, which may be suffered by the successful Bidder, as a result of such Bidder's failure to be fully informed in advance with regard to all conditions pertaining to the work and the character of the work required, including site conditions. No statement made by an elected official, officer, agent, or employee of the Owner in relation to the physical or other conditions pertaining to the site of the work will be binding on the Owner, unless covered by the Project Manual or an Addendum.

Article 3. Interpretation of Project Manual and Approval of Materials Equal to Those Provided in the Specifications

If any Bidder contemplating submitting a Bid for the proposed contract is in doubt as to the true meaning of any part of the plans, specifications or forms of contract documents, or detects discrepancies or omissions, such Bidder may submit to the Architect (read "Engineer" throughout in lieu of Architect as appropriate) a written request for an interpretation thereof at least ten (10) calendar days prior to the date set for the Bid Closing.

When a prospective Bidder seeks approval of a particular manufacturer's material, process or item of equal value, utility or merit other than that designated by the Architect in the Project Manual, the Bidder may submit to the Architect a written request for approval of such substitute at least ten (10) calendar days prior to the date set for the Bid Closing. The prospective Bidder submitting the request will be responsible for its prompt delivery.

Requests of approval for a substitution from that specified shall be accompanied by samples, records of performance, certified copies of tests by

impartial and recognized laboratories, and such other information as the Architect may request.

To establish a basis of quality, certain processes, types of machinery and equipment or kinds of materials may be specified in the Project Manual either by description of process or by designating a manufacturer by name and referring to a brand or product designation or by specifying a kind of material. Whenever a process is designated or a manufacturer's name, brand or item designation is given, or whenever a process or material covered by patent is designated or described, it shall be understood that the words "or approved equal" follow such name, designation or description, whether in fact they do so or not.

Any interpretation of the Project Manual or approval of manufacturer's material will be made only by an Addendum duly issued. All Addenda will be posted to the OregonBuys listing and will become a part of the Project Manual. The Owner will not be responsible for any other explanation or interpretation of the Project Manual nor for any other approval of a particular manufacturer's process or item for any Bidder.

When the Architect approves a substitution by Addendum, it is with the understanding that the Contractor guarantees the substituted article or material to be equal or better than the one specified.

Article 4. Security to Be Furnished by Each Bidder

Each Bid must be accompanied by either 1) a cashier's check or a certified check drawn on a bank authorized to do business in the State of Oregon, or 2) a Bid bond described hereinafter, executed in favor of the Owner, for an amount equal to ten percent (10%) of the total amount Bid as a guarantee that, if awarded the contract, the Bidder will execute the contract and provide a performance bond and payment bond as required. The successful Bidder's check or Bid bond will be retained until the Bidder has entered into a contract satisfactory to Owner and furnished a one hundred percent (100%) performance bond and one hundred percent (100%) payment bond. The Owner

reserves the right to hold the Bid security as described in Article 10 hereof. Should the successful Bidder fail to execute and deliver the contract as provided for in Article 12 hereof, including a satisfactory performance bond and payment bond within twenty (20) calendar days after the Bid has been accepted by the Owner, then the contract award made to such Bidder may be considered canceled and the Bid security may be forfeited as liquidated damages at the option of the Owner. The date of the acceptance of the Bid and the award of the contract as contemplated by the Project Manual shall mean the date of acceptance specified in the Notice of Intent to Award.

Article 5. Execution of Bid Bond

Should the Bidder elect to utilize a Bid bond as described in Article 4 in order to satisfy the Bid security requirements, such form must be completed in the following manner:

- A. Bid bonds must be executed on the County forms, which will be provided to all prospective Bidders by the Owner.
- B. The Bid bond shall be executed on behalf of a bonding company licensed to do business in the State of Oregon.
- C. In the case of a sole individual, the bond need only be executed as principal by the sole individual. In the case of a partnership, the bond must be executed by at least one of the partners. In the case of a corporation, the bond must be executed by stating the official name of the corporation under which is placed the signature of an officer authorized to sign on behalf of the corporation followed by such person's official capacity, such as president, etc. The corporation seal should then be affixed to the bond.
- D. The name of the surety must be stated in the execution over the signature of its duly authorized attorney-in-fact and accompanied by the seal of the surety corporation.

Article 6. Execution of the Bid Form

Each Bid shall be made in accordance with: (i) the sample Bid Form accompanying these instructions; (ii) the appropriate signatures for a sole individual, partnership, corporation or limited liability corporation shall be added as noted in Article 5C above; (iii) numbers pertaining to base Bids shall be stated both in writing and in figures; and (iv) the Bidder's address shall be typed or printed.

The Bid Form relates to Bids on a specific Project Manual. Only the amounts and information asked for on the Bid Form furnished will be considered as the Bid. Each Bidder shall Bid upon the work exactly as specified and provided in the Bid Form. The Bidder shall include in the Bid a sum to cover the cost of all items contemplated by the Contract. The Bidder shall Bid upon all alternates that may be indicated on the Bid Form. When Bidding on an alternate for which there is no charge, the Bidder shall write the words "No Charge" in the space provided on the Bid Form. If one or more alternates are shown on the Bid Form, the Bidder shall indicate whether each is "add" or "deduct."

Article 7. Prohibition of Alterations to Bid

Bids that are incomplete, or contain ambiguities or have differing conditions required by the Bidder, including requested changes or exceptions to the Public Improvement Contract form or other portions of the Project Manual, may be rejected in Owner's sole and absolute discretion.

Article 8. Submission of Bid

Each Bid shall be sealed in an envelope, properly addressed to the Owner, showing on the outside of the envelope the name of the Bidder and the name of the project. Bids will be received at the time and place stated in the Notice of Public Improvement Contract Opportunity.

Article 9. Bid Closing and Opening of Bids

All Bids must be received by the Owner at the place and time set for the Bid Closing. Any Bids received after the scheduled Bid Closing time for

receipt of Bids will be rejected.

At the time of opening and reading of Bids, each Bid received will be publicly opened and read aloud, irrespective of any irregularities or informalities in such Bids.

Generally, Bid results will be posted to the OregonBuys Website within a couple hours of the opening.

Article 10. Acceptance or Rejection of Bids by Owner

Unless all Bids are rejected, the Owner will award a contract based on the lowest responsive Bid from a responsible Bidder. If that Bidder does not execute the contract, it will be awarded to the next lowest responsible Bidder or Bidders in succession.

The Owner reserves the right to reject all Bids and to waive minor informalities. The procedures for contract awards shall be in compliance with the provisions of the LCRB Rules in effect at that time.

The Owner reserves the right to hold the Bid and Bid security of the three lowest Bidders for a period of thirty (30) calendar days from and after the time of Bid opening pending award of the contract. Following award of the contract the Bid security of the three lowest Bidders may be held twenty (20) calendar days pending execution of the contract. All other Bids will be rejected and Bid security will be returned.

In determining the lowest Bidder, the Owner reserves the right to take into consideration any or all authorized base Bids as well as alternates or combinations indicated in the Bid Form.

If no Bid has been accepted within thirty (30) calendar days after the opening of the Bids, each of the three lowest Bidders may withdraw the Bid submitted and request the return of the Bid security.

Article 11. Withdrawal of Bid

At any time prior to the Bid Closing, a Bidder may withdraw its Bid. This will not preclude the

submission of another Bid by such Bidder prior to the time set for the Bid Closing.

After the time set for the Bid Closing, no Bidder will be permitted to withdraw its Bid within the time frames specified in Article 10 for award and execution, except as provided for in that Article.

Article 12. Execution of Contract, Performance Bond and Payment Bond

The Owner will provide the successful Bidder with contract forms within seven (7) calendar days after the completion of the award protest period. The Bidder is required to execute the contract forms as provided, including a performance bond and a payment bond from a surety company licensed to do surety business in the State of Oregon, within seven (7) calendar days after receipt of the contract forms. The contract forms shall be delivered to the Owner in the number called for and to the location as instructed by the Owner.

Article 13. Recyclable Products

Contractors will use recyclable products to the maximum extent economically feasible in the performance of the Contract.

Article 14. Clarification or Protest of the Solicitation Document or Specifications

Any request for clarification or protest of the solicitation document or specifications must be submitted in the manner provided for in the applicable section of the LCRB Rules to the Procurement Representative referenced in the Notice of Public Improvement Contract Opportunity.

A protest of the Solicitation Document must be received within seven (7) business days of the issuance of the Bid or within three (3) business days of issuance of an addendum.

Requests for clarification may be submitted no less than five (5) business days prior to the Bid Closing Date.

Article 15. Protest of Intent to Award

Owner will name the apparent successful Bidder in a "Notice of Intent to Award" letter. Identification of the apparent successful Bidder is procedural only and creates no right in the named Bidder to the award of the contract. Competing Bidders will be notified by publication of the Notice of Intent to Award on the OregonBuys Website of the selection of the apparent successful Bidder(s) and Bidders shall be given seven (7) calendar days from the date on the "Notice of Intent to Award" letter to review the file at the Procurement Division office and file a written protest of award, pursuant to C-049-0450. Any award protest must be in writing and must be delivered by email, hand delivery, or mail to the Procurement Division Director at: Procurement Division, 2051 Kaen Road, Oregon City, OR 97045.

Article 16. Disclosure of First-Tier Subcontractors

Within two (2) working hours after the Bid Closing, all Bidders shall submit to the County a disclosure form identifying any first-tier subcontractors (those entities that would be contracting directly with the prime contractor) that will be furnishing labor and materials on the contract, if awarded, whose subcontract value would be equal to or greater than: (a) Five percent (5%) of the total contract price, but at least \$15,000; or (b) \$350,000, regardless of the percentage of the total contract price.

Disclosures may be submitted with the Bid or may be hand delivered to the Bid Closing address or emailed to the Contract Information Analyst listed on the Notice of Contract Opportunity.



**CLACKAMAS COUNTY
PUBLIC IMPROVEMENT CONTRACT**

SUPPLEMENTAL INSTRUCTIONS TO BIDDERS

Project Name: #2024-35 CBX Marmot Project

The following modify the Clackamas County “Instructions to Bidders” for this Project. Where a portion of the Instructions to Bidders has been modified by these Supplemental Instructions to Bidders, the unaltered portions shall remain in effect.

Mandatory Pre-Bid Conference will be conducted on **October 3, 2024 at 10:00 AM**. Bidders shall meet with County representatives at the Clackamas County Procurement Conference Room 497 on the 4th Floor at 2051 Kaen Road, Oregon City, Oregon for that purpose. Attendance will be documented through a sign-in sheet prepared by the County representative. Prime bidders who arrive more than ten (10) minutes after the start time of the meeting (as stated in the solicitation and by the County’s watch) or after the discussion portion of the meeting (whichever comes first) shall not be permitted to sign in and will not be permitted to submit a bid on the project.

1. The County is requiring all bids for this project be electronically submitted. Complete Bids (including all attachments) will only be accepted electronically thru a secure online bid submission service, Bid Locker. Email submissions to Clackamas County email addresses will no longer be accepted. <https://bidlocker.us/a/clackamascounty/BidLocker>.

Bids will be publicly read aloud via the computer application, Zoom. Bidders will be allowed to video conference or listen by phone to the bid results. The projects Zoom meeting can be accessed via the information below:

Join Zoom Meeting

<https://clackamascounty.zoom.us/j/85311055687>

Meeting ID: 853 1105 5687

One tap mobile

+14086380968,,85311055687# US (San Jose) 16694449171,,85311055687# US

Dial by your location

- +1 408 638 0968 US (San Jose)
- +1 669 444 9171 US
- +1 669 900 6833 US (San Jose)
- +1 719 359 4580 US
- +1 253 205 0468 US
- +1 253 215 8782 US (Tacoma)
- +1 346 248 7799 US (Houston)
- +1 301 715 8592 US (Washington DC)
- +1 305 224 1968 US

- +1 309 205 3325 US
- +1 312 626 6799 US (Chicago)
- +1 360 209 5623 US
- +1 386 347 5053 US
- +1 507 473 4847 US
- +1 564 217 2000 US
- +1 646 876 9923 US (New York)
- +1 646 931 3860 US
- +1 689 278 1000 US

Meeting ID: 853 1105 5687

Find your local number: <https://clackamascounty.zoom.us/j/kdjRH9nKec>

**The Apparent Low bid results will be posted to the projects OregonBuys listing as soon as possible following the bid opening.

- 2. Good Faith Effort:** Clackamas County encourages participation in contracts by Historically Underrepresented Businesses. “Historically Underrepresented Businesses” are State of Oregon-certified and self-identified minority, women and emerging small business as well as firms that are certified federally or by another state or entity with substantially similar requirements as the State of Oregon.

Bidders must perform Good Faith Effort (defined below) and submit **Form 1 and Form 2** for the Bidders Bid to be considered responsive. **Form 1 and Form 2** must be submitted within **two (2) hours** after the Closing Date and Time. Form 1 and Form 2 may be submitted to either the Contact Information Analyst listed on Notice of Contract Opportunity or via the <https://bidlocker.us/a/clackamascounty/BidLocker> listing.

“Good Faith Effort” is a requirement of a prime contractor to reach out to at least three Historically Underrepresented Business Subcontractors for each division of work that will be subcontracted out and to complete the required forms. If fewer than three Historically Underrepresented Business Subcontractors are reasonably available for a particular division of work, the Bidder must specifically note the reason for there being fewer than three contacts. The outreach should be performed with sufficient time to give the subcontractors at least 5 calendar days to respond to the opportunity. Form 3, which documents the actual amount of subcontractors on the project, must be submitted with the project final pay application. Compliance with the Good Faith Effort and submission of Forms 1, 2 and 3 is a contractual requirement for final payment.

The sufficiency of the documentation or the performance of Good Faith Effort shall be in the sole and absolute determination of Clackamas County. Only those Bidders that Clackamas County has determined have not sufficiently performed Good Faith Effort shall have protest rights of the determination for such Bidder. No Bidder shall have protest rights of the sufficiency of any other Bidder completing Good Faith Effort.

**CLACKAMAS COUNTY
GOOD FAITH EFFORT
SUBCONTRACTOR AND SELF-PERFORMED WORK LIST
(FORM 1)**

Prime Contractor Name: North Sky Communications LLC

Total Contract Amount: \$ 2,491,900.00

Project Name: #2024-35 CBX Marmot Project

PRIME SELF-PERFORMING: Identify below **ALL** GFE Divisions of Work (DOW) to be self-performed. Good Faith Efforts are otherwise required.

<u>DOW BIDDER WILL SELF-PERFORM (GFE not required)</u>	
Aerial Construction	
Underground Construction	
Cable Placing	
Cable Splicing	
Traffic Control	

PRIME CONTRACTOR SHALL DISCLOSE AND LIST ALL SUBCONTRACTORS, including those Minority-owned, Woman-owned, and Emerging Small Businesses ("M/W/ESB") that you intend to use on the project. Delivery via bid locker <https://bidlocker.us/a/clackamascounty/BidLocker> within 2 hours of the BID/Quote Closing Date/Time.

LIST ALL SUBCONTRACTORS BELOW Use correct legal name of Subcontractor (No Assumed Business Names)	Division of Work (Painting, electrical, landscaping, etc.) List ALL DOW performed by Subcontractors	DOLLAR AMOUNT OF SUBCONTRACT	If Certified or self-reporting MBE/WBE/ESB Subcontractor Check box		
			MBE	WBE	ESB
Name Address City/St/Zip Phone# OCCB#			<input type="checkbox"/>	<input type="checkbox"/>	<input type="checkbox"/>
Name Address City/St/Zip Phone# OCCB#			<input type="checkbox"/>	<input type="checkbox"/>	<input type="checkbox"/>
Name Address City/St/Zip Phone# OCCB#			<input type="checkbox"/>	<input type="checkbox"/>	<input type="checkbox"/>
Name Address City/St/Zip Phone# OCCB#			<input type="checkbox"/>	<input type="checkbox"/>	<input type="checkbox"/>



CLACKAMAS COUNTY
PUBLIC IMPROVEMENT CONTRACT

Bond No. 95323-TRAV-24-0301

BID BOND

Project Name: #2024-35 CBX Marmot Project

We, North Sky Communications, LLC, as "Principal,"
(Name of Principal)

and Travelers Casualty and Surety Company of America, an Connecticut Corporation,
(Name of Surety)

authorized to transact Surety business in Oregon, as "Surety," hereby jointly and severally bind ourselves, our respective heirs, executors, administrators, successors and assigns to pay unto Clackamas County ("Obligee") the sum of (\$ 10% of amount bid)

Ten percent (10%) of amount bid dollars.

WHEREAS, the condition of the obligation of this bond is that Principal has submitted its proposal or bid to an agency of the Obligee in response to Obligee's procurement document (No.) for the project identified above which proposal or bid is made a part of this bond by reference, and Principal is required to furnish bid security in an amount equal to ten (10%) percent of the total amount of the bid pursuant to the procurement document.

NOW, THEREFORE, if the Obligee shall accept the bid of the Principal and the Principal shall enter into a Contract with the Obligee in accordance with the terms of such bid, and give such bond or bonds as may be specified in the bidding or Contract Documents with good and sufficient surety for the faithful performance of such Contract and for the prompt payment of labor and material furnished in the prosecution thereof, or in the event of the failure of the Principal to enter such Contract and give such bond or bonds, if the Principal shall pay to the Obligee the difference not to exceed the penalty hereof between the amount specified in said bid and such larger amount for which the Obligee may in good faith contract with another party to perform the Work covered by said bid, then this obligation shall be null and void, otherwise to remain in full force and effect.

IN WITNESS WHEREOF, we have caused this instrument to be executed and sealed by our duly authorized legal representatives this 4th day of October, 20 24.

Principal: North Sky Communications, LLC

Surety: Travelers Casualty and Surety Company of America

By: [Signature]
Signature

By: [Signature]
Attorney-In-Fact

President
Official Capacity

Ana W Oliveras
Name

Attest: [Signature]
Director Controller

One Tower Square
Address
Hartford CT 06183
City State Zip
561-228-5421
Phone Fax



**Travelers Casualty and Surety Company of America
Travelers Casualty and Surety Company
St. Paul Fire and Marine Insurance Company**

POWER OF ATTORNEY

KNOW ALL MEN BY THESE PRESENTS: That Travelers Casualty and Surety Company of America, Travelers Casualty and Surety Company, and St. Paul Fire and Marine Insurance Company are corporations duly organized under the laws of the State of Connecticut (herein collectively called the "Companies"), and that the Companies do hereby make, constitute and appoint Ana W. Oliveras of Palm Beach, Florida, their true and lawful Attorney(s)-in-Fact to sign, execute, seal and acknowledge any and all bonds, recognizances, conditional undertakings and other writings obligatory in the nature thereof on behalf of the Companies in their business of guaranteeing the fidelity of persons, guaranteeing the performance of contracts and executing or guaranteeing bonds and undertakings required or permitted in any actions or proceedings allowed by law.

IN WITNESS WHEREOF, the Companies have caused this instrument to be signed, and their corporate seals to be hereto affixed, this **21st** day of **April**, **2021**.



State of Connecticut

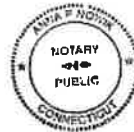
By: 
Robert L. Raney, Senior Vice President

City of Hartford ss.

On this the **21st** day of **April**, **2021**, before me personally appeared **Robert L. Raney**, who acknowledged himself to be the Senior Vice President of each of the Companies, and that he, as such, being authorized so to do, executed the foregoing instrument for the purposes therein contained by signing on behalf of said Companies by himself as a duly authorized officer.

IN WITNESS WHEREOF, I hereunto set my hand and official seal.

My Commission expires the **30th** day of **June**, **2026**




Anna P. Nowik, Notary Public

This Power of Attorney is granted under and by the authority of the following resolutions adopted by the Boards of Directors of each of the Companies, which resolutions are now in full force and effect, reading as follows:

RESOLVED, that the Chairman, the President, any Vice Chairman, any Executive Vice President, any Senior Vice President, any Vice President, any Second Vice President, the Treasurer, any Assistant Treasurer, the Corporate Secretary or any Assistant Secretary may appoint Attorneys-in-Fact and Agents to act for and on behalf of the Company and may give such appointee such authority as his or her certificate of authority may prescribe to sign with the Company's name and seal with the Company's seal bonds, recognizances, contracts of indemnity, and other writings obligatory in the nature of a bond, recognizance, or conditional undertaking, and any of said officers or the Board of Directors at any time may remove any such appointee and revoke the power given him or her; and it is

FURTHER RESOLVED, that the Chairman, the President, any Vice Chairman, any Executive Vice President, any Senior Vice President or any Vice President may delegate all or any part of the foregoing authority to one or more officers or employees of this Company, provided that each such delegation is in writing and a copy thereof is filed in the office of the Secretary; and it is

FURTHER RESOLVED, that any bond, recognizance, contract of indemnity, or writing obligatory in the nature of a bond, recognizance, or conditional undertaking shall be valid and binding upon the Company when (a) signed by the President, any Vice Chairman, any Executive Vice President, any Senior Vice President or any Vice President, any Second Vice President, the Treasurer, any Assistant Treasurer, the Corporate Secretary or any Assistant Secretary and duly attested and sealed with the Company's seal by a Secretary or Assistant Secretary; or (b) duly executed (under seal, if required) by one or more Attorneys-in-Fact and Agents pursuant to the power prescribed in his or her certificate or their certificates of authority or by one or more Company officers pursuant to a written delegation of authority; and it is

FURTHER RESOLVED, that the signature of each of the following officers: President, any Executive Vice President, any Senior Vice President, any Vice President, any Assistant Vice President, any Secretary, any Assistant Secretary, and the seal of the Company may be affixed by facsimile to any Power of Attorney or to any certificate relating thereto appointing Resident Vice Presidents, Resident Assistant Secretaries or Attorneys-in-Fact for purposes only of executing and attesting bonds and undertakings and other writings obligatory in the nature thereof, and any such Power of Attorney or certificate bearing such facsimile signature or facsimile seal shall be valid and binding upon the Company and any such power so executed and certified by such facsimile signature and facsimile seal shall be valid and binding on the Company in the future with respect to any bond or understanding to which it is attached.

I, **Kevin E. Hughes**, the undersigned, Assistant Secretary of each of the Companies, do hereby certify that the above and foregoing is a true and correct copy of the Power of Attorney executed by said Companies, which remains in full force and effect.

Dated this 4th day of October, 2024.




Kevin E. Hughes, Assistant Secretary

**To verify the authenticity of this Power of Attorney, please call us at 1-800-421-3880.
Please refer to the above-named Attorney(s)-in-Fact and the details of the bond to which this Power of Attorney is attached.**



CLACKAMAS COUNTY
PUBLIC IMPROVEMENT CONTRACT

BID FORM

PROJECT: #2024-35 CBX Marmot Project
BID CLOSING: October 17, 2024, 2:00 PM, Pacific Time
BID OPENING: October 17, 2024, 2:05 PM, Pacific Time

FROM: North Sky Communications LLC
Bidder's Name (must be full legal name, not ABN/DBA)

TO: <https://bidlocker.us/a/clackamascounty/BidLocker>

1. Bidder is (check one of the following and insert information requested):

a. An individual; or

b. A partnership registered under the laws of the State of _____; or

c. A corporation organized under the laws of the State of _____; or

d. A limited liability corporation organized under the laws
of the State of Deleware;

and authorized to do business in the State of Oregon hereby proposes to furnish all material and labor and perform all work hereinafter indicated for the above project in strict accordance with the Contract Documents for the Basic Bid as follows:

Two million four hundred ninety-one thousand nine hundred Dollars (\$ 2,491,900.00)

and the Undersigned agrees to be bound by the following documents:

- Notice of Public Improvement Contract Opportunity
- Instructions to Bidders
- Bid Bond
- Public Improvement Contract Form
- Clackamas County General Conditions
- Prevailing Wage Rates
- Plans, Specifications and Drawings
- Supplemental Instructions to Bidders
- Bid Form
- Performance Bond and Payment Bond
- Supplemental General Conditions
- Payroll and Certified Statement Form

• ADDENDA numbered 1 through 3, inclusive (fill in blanks)

2. The Undersigned proposes to add to or deduct from the Base Bid indicated above the items of work relating to the following Alternate(s) as designated in the Specifications:

ALTERNATE #1:	Directional Rock Bore 2" SDR13.5 HDPE Rock Adder- Per Linear Foot	ADD: \$ <u>85.00</u>
ALTERNATE #2:	Directional Rock Bore 1" SDR13.5 HDPE Adder- Per Linear Foot	ADD: \$ <u>85.00</u>
ALTERNATE #3:	Tree trimming- Per Linear Foot	ADD: \$ <u>6.50</u>

3. The Undersigned proposes to add to or deduct from the Base Bid indicated above the items or work relating to the following Unit Price(s) as designated in the Specifications, for which any adjustments in the Contract amount will be made in accordance with Section D of the Clackamas County General Conditions: N/A

4. The work shall be completed within the time stipulated and specified in the contract documents.

5. Accompanying herewith is Bid Security which is equal to ten percent (10%) of the total amount of the Basic Bid, plus the total sum of all Alternatives (if any).

6. The Undersigned agrees, if awarded the Contract, to execute and deliver to Clackamas County, within twenty (20) calendar days after receiving the Contract forms, a Contract Form, and a satisfactory Performance Bond and Payment Bond each in an amount equal to one hundred percent (100%) of the Contract sum, using forms provided by the Owner. The surety requested to issue the Performance Bond and Payment Bond will be:

Travelers Casualty and Surety Company of America
(name of surety company - not insurance agency)

The Undersigned hereby authorizes said surety company to disclose any information to the Owner concerning the Undersigned's ability to supply a Performance Bond and Payment Bond each in the amount of the Contract.

7. The Undersigned further agrees that the Bid Security accompanying the Bid is left in escrow with Clackamas County; that the amount thereof is the measure of liquidated damages which the Owner will sustain by the failure of the Undersigned to execute and deliver the above-named Contract Form, Performance Bond and Payment Bond, each as published, and that if the Undersigned defaults in either executing the Contract Form or providing the Performance Bond and Payment Bond within twenty (20) calendar days after receiving the Contract forms, then the Bid Security shall become the property of the Owner at the Owner's option; but if the Bid is not accepted within thirty (30) calendar days of the time set for the opening of the Bids, or if the Undersigned executes and timely delivers said Contract Form, Performance Bond and Payment Bond, the Bid Security shall be returned.

8. The Undersigned certifies that: (i) This Bid has been arrived at independently and is being submitted without collusion with and without any agreement, understanding, or planned common course of action with any other vendor of materials, supplies, equipment or services described in the invitation to bid designed to limit independent bidding or competition; and (ii) the contents of the Bid have not been communicated by the Undersigned or its employees or agents to any person not an employee or agent of the Undersigned or its surety on any Bond furnished with the Bid and will not be communicated to such person prior to the official opening of the Bid.

9. The undersigned HAS, HAS NOT (check one) paid unemployment or income taxes in Oregon within the past 12 months and DOES, DOES NOT (check one) a business address in Oregon. The undersigned acknowledges that, if the selected bidder, that the undersigned will have to pay all applicable taxes and register to do business in the State of Oregon before executing the Contract Form.

10. The Undersigned agrees, if awarded a contract, to comply with the provisions of ORS 279C.800 through 279C.870 pertaining to the payment of the prevailing rates of wage.

11. Contractor's CCB registration number is 208747. As a condition to submitting a bid, a Contractor must be registered with the Oregon Construction Contractors Board in accordance with ORS 701.035 to 701.055, and disclose the registration number. Failure to register and disclose the number will make the bid unresponsive and it will be rejected, unless contrary to federal law.

12. The successful Bidder hereby certifies that all subcontractors who will perform construction work as described in ORS 701.005(2) were registered with the Construction Contractors Board in accordance with ORS 701.035 to 701.055 at the time the subcontractor(s) made a bid to work under the contract.

13. The successful Bidder hereby certifies that, in compliance with the Worker's Compensation Law of the State of Oregon, its Worker's Compensation Insurance provider is LM Insurance Corporation, Policy No. WA5-63D-004260-034, and that Contractor shall submit Certificates of Insurance as required.

14. Contractor's Key Individuals for this project (supply information as applicable):
Project Executive: James Forte, Cell Phone: 206.677.6987,
Project Manager: Cody Bauer, Cell Phone: 503.403.8544,
Job Superintendent: _____, Cell Phone: _____,
Project Engineer: _____, Cell Phone: _____.

15. The Undersigned certifies that it has not discriminated against minority, women, or emerging small businesses in obtaining any subcontracts for this project.

16. The Undersigned certifies that it has a drug testing program in accordance with ORS 279C.505.

REMINDER: Bidder must submit the below First-Tier Subcontractor Disclosure Form.

By signature below, Contractor agrees to be bound by this Bid.

NAME OF FIRM North Sky Communications LLC

ADDRESS 16708 SE McGillivray Blvd., Suite #200

Vancouver, WA 98683

TELEPHONE NO

360.254.6920

EMAIL

dmatton@northskycommm.com

SIGNATURE 1)

Sole Individual

or 2)

Partner

or 3)


Authorized Officer or Employee of Corporation

***** *END OF BID* *****

FIRST-TIER SUBCONTRACTOR DISCLOSURE FORM

PROJECT: #2024-35 CBX Marmot Project

BID OPENING: October 17, 2024, 2:00 PM, Pacific Time

Failure to submit this Form by the disclosure deadline will result in a nonresponsive bid.

INSTRUCTIONS:

This First-Tier Subcontractor Disclosure Form ("Form") must be submitted and received at the location specified in the Notice of Public Improvement Contract Opportunity on the advertised Bid Closing, and within two working hours after the advertised Bid Closing Time.

Proposals will only be accepted electronically thru a secure online bid submission service, **Bid Locker**.

Email submissions to Clackamas County email addresses will no longer be accepted.

- A. Completed proposal documents must arrive electronically via Bid Locker located at <https://bidlocker.us/a/clackamascounty/BidLocker>.
- B. Bid Locker will electronically document the date and time of all submissions. Completed documents must arrive by the deadline indicated in Section 1 or as modified by Addendum. **LATE PROPOSALS WILL NOT BE ACCEPTED.**
- C. Proposers must register and create a profile for their business with Bid Locker in order to submit for this project. It is free to register for Bid Locker.
- D. Proposers with further questions concerning Bid Locker may review the Vendor's Guide located at <https://www.clackamas.us/how-to-bid-on-county-projects>.

Subcontractor lists may be submitted with the bid in the same envelope or email at the Bid Closing date and time. Subcontractor lists **MUST** be submitted within **two (2) hours** of the Bid Closing date and time.

List below the name of each subcontractor that will be furnishing labor, or labor and materials, for which disclosure is required, the category of work that the subcontractor will be performing, and the dollar value of the subcontract. Enter "**NONE**" if the value of the project bid is less than \$100,000 or there are no subcontractors that need to be disclosed. **ATTACH ADDITIONAL SHEETS IF NECESSARY.**

	SUBCONTRACTOR NAME	DOLLAR VALUE	CATEGORY OF WORK
1.	NONE		
2.			
3.			
4.			
5.			
6.			

The above listed first-tier subcontractor(s) are providing labor, or labor and material, with a Dollar Value equal to or greater than:

- a) 5% of the total Contract Price, but at least \$15,000. If the Dollar Value is less than \$15,000 do not list the subcontractor above; or
- b) \$350,000 regardless of the percentage of the total Contract Price.

Firm Name: North Sky Communications LLC

Bidder Signature:  Phone # 360.254.6920



**CLACKAMAS COUNTY
PUBLIC IMPROVEMENT CONTRACT
SUPPLEMENTAL GENERAL CONDITIONS**

PROJECT: #2024-35 CBX Marmot Project

The following modifies the October 13, 2021 Clackamas County General Conditions for Public Improvement Contracts (“County General Conditions”) for this Contract. Except as modified below, all other terms and conditions of the County General Conditions shall remain in effect.

1. Good Faith Effort

As a condition of Contractor being awarded a Contract for this Project, Contractor must complete Good Faith Effort outreach and documentation as described in the Supplemental Instructions to Bidders of the Solicitation Document.

The Contractor may not change who is performing each Division of Work identified in Form 1 of the Good Faith Effort without the express written advance approval of Owner. This includes substituting identified subcontractors, self-performance of a Division of Work that was identified to be performed by a subcontractor, or the Contractor subcontracting a Division of Work that was identified to be self-performed by the Contractor.

Contractor shall be required to submit the completed Form 3 with its final pay application as a condition of final payment.



CLACKAMAS COUNTY GENERAL CONDITIONS FOR PUBLIC IMPROVEMENT CONTRACTS October 13, 2021

INSTRUCTIONS: The attached **Clackamas County General Conditions for Public Improvement Contracts ("County General Conditions")** apply to all designated Public Improvement contracts. Changes to the County General Conditions (including any additions, deletions or substitutions) should only be made by attaching Public Improvement Supplemental General Conditions. The text of these County General Conditions should not otherwise be altered.

TABLE OF SECTIONS

SECTION A - GENERAL PROVISIONS

- A.1 DEFINITION OF TERMS
- A.2 SCOPE OF WORK
- A.3 INTERPRETATION OF CONTRACT DOCUMENTS
- A.4 EXAMINATION OF PLANS, SPECIFICATIONS, AND PROJECT
- A.5 INDEPENDENT CONTRACTOR STATUS
- A.6 RETIREMENT SYSTEM STATUS AND TAXES
- A.7 GOVERNMENT EMPLOYMENT STATUS

SECTION B - ADMINISTRATION OF THE CONTRACT

- B.1 OWNER'S ADMINISTRATION OF THE CONTRACT
- B.2 CONTRACTOR'S MEANS AND METHODS
- B.3 MATERIALS AND WORKMANSHIP
- B.4 PERMITS
- B.5 COMPLIANCE WITH GOVERNMENT REGULATIONS
- B.6 SUPERINTENDENCE
- B.7 INSPECTION
- B.8 SEVERABILITY
- B.9 ACCESS TO RECORDS
- B.10 WAIVER
- B.11 SUBCONTRACTS AND ASSIGNMENT
- B.12 SUCCESSORS IN INTEREST
- B.13 OWNER'S RIGHT TO DO WORK
- B.14 OTHER CONTRACTS

SECTION C - WAGES AND LABOR

- C.1 MINIMUM WAGES RATES ON PUBLIC WORKS
- C.2 PAYROLL CERTIFICATION AND FEE REQUIREMENTS, ADDITIONAL RETAINAGE
- C.3 PROMPT PAYMENT AND CONTRACT CONDITIONS
- C.4 PAYMENT FOR MEDICAL CARE
- C.5 HOURS OF LABOR

SECTION D - CHANGES IN THE WORK

- D.1 CHANGES IN THE WORK
- D.2 DELAYS
- D.3 CLAIMS REVIEW PROCESS

SECTION E - PAYMENTS

- E.1 SCHEDULE OF VALUES
- E.2 APPLICATIONS FOR PAYMENT
- E.3 PAYROLL CERTIFICATION REQUIREMENT
- E.4 DUAL PAYMENT SOURCES
- E.5 RETAINAGE
- E.6 FINAL PAYMENT

SECTION F - PROJECT SITE CONDITIONS

- F.1 USE OF PREMISES
- F.2 PROTECTION OF WORKERS, PROPERTY, AND THE PUBLIC
- F.3 CUTTING AND PATCHING
- F.4 CLEANING UP
- F.5 ENVIRONMENTAL CONTAMINATION
- F.6 ENVIRONMENTAL CLEAN-UP

SECTION G - INDEMNITY, BONDING AND INSURANCE

- G.1 RESPONSIBILITY FOR DAMAGES/INDEMNITY
- G.2 PERFORMANCE AND PAYMENT SECURITY, PUBLIC WORKS BOND
- G.3 INSURANCE

SECTION H - SCHEDULE OF WORK

- H.1 CONTRACT PERIOD
- H.2 SCHEDULE
- H.3 PARTIAL OCCUPANCY OR USE

SECTION I - CORRECTION OF WORK

- I.1 CORRECTIONS OF WORK BEFORE FINAL PAYMENT
- I.2 WARRANTY WORK

SECTION J - SUSPENSION AND/OR TERMINATION OF THE WORK

- J.1 OWNER'S RIGHT TO SUSPEND THE WORK
- J.2 CONTRACTOR'S RESPONSIBILITIES
- J.3 COMPENSATION FOR SUSPENSION
- J.4 OWNER'S RIGHT TO TERMINATE CONTRACT
- J.5 TERMINATION FOR CONVENIENCE, NON-APPROPRIATION OF FUNDS, OR FORCE MAJEURE
- J.6 ACTION UPON TERMINATION

SECTION K - CONTRACT CLOSE-OUT

- K.1 RECORD DOCUMENTS
- K.2 OPERATION AND MAINTENANCE MANUALS
- K.3 COMPLETION NOTICES
- K.4 TRAINING
- K.5 EXTRA MATERIALS
- K.6 ENVIRONMENTAL CLEAN-UP
- K.7 CERTIFICATE OF OCCUPANCY
- K.8 OTHER CONTRACTOR RESPONSIBILITIES
- K.9 SURVIVAL

SECTION L - GENERAL PROVISIONS

- L.1 NO THIRD PARTY BENEFICIARIES
- L.2 SEVERABILITY
- L.3 ACCESS TO RECORDS
- L.4 WAIVER
- L.5 SUCCESSORS IN INTEREST
- L.6 GOVERNING LAW
- L.7 APPLICABLE LAW
- L.8 NON-EXCLUSIVE RIGHTS & REMEDIES
- L.9 INTERPRETATION
- L.10 DEBT LIMITATION
- L.11 LITIGATION
- L.12 SURVIVAL
- L.13 ACCESS TO RECORDS
- L.14 WAIVER
- L.15 NO ATTORNEY FEES

**CLACKAMAS COUNTY GENERAL CONDITIONS
FOR PUBLIC IMPROVEMENT CONTRACTS
("County General Conditions")**

**SECTION A
GENERAL PROVISIONS**

A.1 DEFINITION OF TERMS

In the Contract Documents the following terms shall be as defined below:

APPLICABLE LAWS, means all federal, state and local laws, codes, rules, regulations and ordinances, as amended applicable to the Work, to the Contract, or to the parties individually.

APPROVED BY CONTRACTING AGENCY, for purposes of ORS 279C.570(2), means the date a progress payment is approved by the Clackamas County Treasurer's office.

ARCHITECT/ENGINEER, means the Person appointed by the Owner to make drawings and specifications and, to provide contract administration of the Work contemplated by the Contract to the extent provided herein or by supplemental instruction of Owner (under which Owner may delegate responsibilities to the Architect/Engineer), in accordance with ORS Chapter 671 (Architects) or ORS Chapter 672 (Engineers) and administrative rules adopted thereunder.

AVOIDABLE DELAYS, mean any delays other than Unavoidable Delays, and include delays that otherwise would be considered Unavoidable Delays but that: (a) Could have been avoided by the exercise of care, prudence, foresight, and diligence on the part of the Contractor or its Subcontractors; (b) Affect only a portion of the Work and do not necessarily prevent or delay the prosecution of other parts of the Work nor the completion of the whole Work within the Contract Time; (c) Do not impact activities on the accepted critical path schedule; and (d) Are associated with the reasonable interference of other contractors employed by the Owner that do not necessarily prevent the completion of the whole Work within the Contract Time.

BIDDER, means a bidder in connection with Instructions to Bidders or a proposer in connection with a Request for Proposals, or Solicitation Document. May also be referenced as "Offeror," "Quoter" or "Proposer" based on the type of Solicitation Document.

CHANGE ORDER, means a written order which, when fully executed by the Parties to the Contract, constitutes a change to the Contract Documents. Change Orders shall be issued in accordance with the changes provisions in Section D and, if applicable, establish a Contract Price or Contract Time adjustment. A Change Order shall not be effective until executed by both parties.

CLAIM, means a demand by Contractor pursuant to Section D.3 for review of the denial of Contractor's initial request for an adjustment of Contract terms, payment of money, extension of Contract Time or other relief, submitted in accordance with the requirements and within the time limits established for review of Claims in these County General Conditions.

CONTRACT, means the written agreement between the Owner and the Contractor comprised of the Contract Documents which describe the Work to be done and the obligations between the parties.

CONTRACT DOCUMENTS, means the Contract, County General Conditions, Supplemental General Conditions if any, Plans, Specifications, the accepted Offer, Solicitation Document and addenda thereto, Instructions to Offerors, and Supplemental Instructions to Offerors.

CONTRACT PERIOD, as set forth in the Contract Documents, means the total period of time beginning with the full execution of a Contract

and, if applicable, the issuance of a Notice to Proceed and concluding upon Final Completion.

CONTRACT PRICE, means the total price reflected in the Contract.

CONTRACT TIME, means any incremental period of time allowed under the Contract to complete any portion of the Work as reflected in the Project schedule.

CONTRACTOR, means the Person awarded the Contract for the Work contemplated.

DAYS, are calendar days, including weekdays, weekends and holidays, unless otherwise specified.

DEFECTIVE WORK, means Work that is not completed in accordance with the Specifications or the requirements of the Contract.

DIRECT COSTS, means, unless otherwise provided in the Contract Documents: the cost of materials, including sales tax and the cost of delivery; cost of labor which shall only include the applicable prevailing wage and fringe benefit (if applicable, and if paid to or on behalf of the employee) rate plus a maximum of a twelve percent (12%) markup on the prevailing wage (but not the fringe benefit) to cover Contractor's labor burden including but not limited to social security, Medicare, unemployment insurance, workers' compensation insurance, sick leave pay; substantiated Project cost increases for specific insurance (including, without limitation, Builder's Risk Insurance and Builder's Risk Installation Floater) or bond premiums; rental cost of equipment, and machinery required for execution of the Work; and the additional costs of field personnel directly attributable to the Work; travel expense reimbursement only if specifically authorized and only to the extent allowable under the County Contractor Travel Reimbursement Policy, hereby incorporated by reference.

FINAL COMPLETION, means the final completion of all requirements under the Contract, including Contract Closeout as described in Section K but excluding Warranty Work as described in Section I.2, and the final payment and release of all retainage, if any.

FORCE MAJEURE, means an act, event or occurrence caused by fire, riot, war, acts of God, terrorism, nature, sovereign, or public enemy, strikes, freight embargoes or any other act, event or occurrence that is beyond the control of the party to the Contract who is asserting Force Majeure.

NOTICE TO PROCEED, means the official written notice from the Owner stating that the Contractor is to proceed with the Work defined in the Contract Documents.

OFFER, means a bid in connection with Instructions to Bidders or a proposal in connection with a Request for Proposals, or Solicitation Document to do the work stated in the Solicitation Document at the price quoted. May also be referenced as "Bid," "Quote," or "Proposal" based on the type of Solicitation Document.

OVERHEAD, means those items which may be included in the Contractor's markup (general and administrative expense and profit) and that shall not be charged as Direct Cost of the Work, including without limitation such Overhead expenses as wages or salary of personnel above the level of foreman (i.e., superintendents and project managers), labor rates and fringe benefits above the applicable prevailing wage and fringe benefit (if applicable, and if paid to or on behalf of the employee), Contractor's labor burden for fringe benefit if paid to the employee, expenses of Contractor's offices and supplies at the Project Site (e.g. job trailer) and at Contractor's principal place of business and including expenses of personnel staffing the Project Site office and Contractor's principal place of business, and Commercial General Liability Insurance and Automobile Liability Insurance.

OWNER, means, Clackamas County or any component unit thereof including Clackamas County Development Agency, Clackamas County Service District No. 1, Surface Water Management Agency of Clackamas County, Tri-City Service District, Water Environment Services, North Clackamas Parks and Recreation District, Clackamas County Extension & 4-H Service District, Library Service District of Clackamas County, Enhanced Law Enforcement District, and Clackamas County Service District No. 5. Owner may elect, by written notice to Contractor, to delegate certain duties to more than one agent, including without limitation, to an Architect/Engineer. However, nothing in these County General Conditions is intended to abrogate the separate design professional responsibilities of Architects under ORS Chapter 671 or of Engineers under ORS Chapter 672.

PERSON, means a natural person or entity doing business as a sole proprietorship, a partnership, a joint venture, a corporation, a limited liability company or partnership, a nonprofit, a trust, or any other entity possessing the legal capacity to contract.

PLANS, means the drawings which show the location, type, dimensions, and details of the Work to be done under the Contract.

PRODUCT DATA, means illustrations, standard schedules, performance charts, instructions, brochures, diagrams and other information furnished by the Contractor to illustrate materials or equipment for some portion of the Work.

PROJECT, means the total undertaking to be accomplished for Owner by architects/engineers, contractors, and other others, including planning, study, design, construction, testing, commissioning, start-up, of which the Work to be performed under the Contract Documents is a part.

PROJECT SITE, means the specific real property on which the Work is to be performed, including designated contiguous staging areas, that is identified in the Plans, Specifications and Drawings.

PUNCH LIST, means the list of Work yet to be completed or deficiencies which need to be corrected in order to achieve Final Completion of the Contract.

RECORD DOCUMENT, means the as-built Plans, Specifications, testing and inspection records, product data, samples, manufacturer and distributor/supplier warranties evidencing transfer of ownership to Owner, operational and maintenance manuals, shop drawings, correspondence, certificate(s) of occupancy, and other documents listed in Subsection B.9.1 of these County General Conditions, recording all Services performed.

SAMPLES, means physical examples which illustrate materials, equipment or workmanship and establish standards by which the Work will be judged.

SHOP DRAWINGS, means drawings, diagrams, schedules and other data specially prepared for the Work by the Contractor or a Subcontractor (including any subcontractor), manufacturer, supplier, or distributor to illustrate some portion of the Work.

SOLICITATION DOCUMENT, means an Invitation to Bid, Request for Proposals, Request for Quotes, or other written document issued by Owner that outlines the required Specifications necessary to submit an Offer.

SPECIFICATION, means any description of the physical or functional characteristics of the Work, or of the nature of a supply, service or construction item included in the Solicitation Document. Specifications may include a description of any requirement for inspecting, testing or preparing a supply, service or construction item for delivery and the quantities or qualities of materials to be furnished under the Contract. Specifications generally will state the results or products to be obtained and may, on occasion, describe the method and manner of doing the

Work to be performed. Specifications may be incorporated by reference and/or may be attached to the Contract.

SUBCONTRACTOR, means a Person having a direct contract with the Contractor, or another Subcontractor of any tier, to perform one or more items of the Work.

SUBSTANTIAL COMPLETION, means the date when the Owner accepts in writing the construction, alteration or repair constituting the Work or any designated portion thereof as having reached that state of completion when it may be used or occupied for its intended purpose. Substantial Completion of facilities with operating systems occurs only after thirty (30) continuous Days of successful, trouble-free operation of the operating systems as provided in Section K.3.2.

SUBSTITUTIONS, means items that in function, performance, reliability, quality, and general configuration are the same or better than the product(s) specified. Substitutions also means the performance of the Work by a labor force other than what is submitted in the Offer.

SUPPLEMENTAL GENERAL CONDITIONS, means those conditions that remove from, add to, or modify these County General Conditions. Public Improvement Supplemental General Conditions may be included in the Solicitation Document or may be a separate attachment to the Contract.

UNAVOIDABLE DELAYS, mean delays other than Avoidable Delays that are: (a) to the extent caused by any actions of the Owner, or any other employee or agent of the Owner, or by a separate contractor employed by the Owner; (b) to the extent caused by any Project Site conditions which differ materially from the conditions that would normally be expected to exist and inherent to the construction activities defined in the Contract Documents; or (c) to the extent caused by Force Majeure acts, or events or occurrences.

WORK, means the furnishing of all materials, equipment, labor, transportation, services, incidentals, those permits and regulatory approvals not provided by the owner necessary to successfully complete any individual item or the entire Contract and the carrying out of duties and obligations imposed by the Contract Documents for the Project.

A.2 SCOPE OF WORK

The Work contemplated under the Contract includes all labor, materials, transportation, equipment and services for, and incidental to, the completion of all work in connection with the Project described in the Contract Documents. The Contractor shall perform all Work necessary so that the Project can be legally occupied and fully used for the intended use as set forth in the Contract Documents.

A.3 INTERPRETATION OF CONTRACT DOCUMENTS

A.3.1 Unless otherwise specifically defined in the Contract Documents, words which have well-known technical meanings or construction industry meanings are used in the Contract Documents in accordance with such recognized meanings. Contract Documents are intended to be complementary. Whatever is called for in one, is interpreted to be called for in all. However, in the event of conflicts or discrepancies among the Contract Documents, interpretations will be based on the following descending order of precedence:

- (a) The Contract and any amendments thereto, including Change Orders, with those of later date having precedence over those of an earlier date;
- (b) The Supplemental General Conditions;
- (c) County General Conditions;
- (d) Plans and Specifications;
- (e) The Solicitation Document, and any addenda thereto.

A.3.2 In the case of an inconsistency between Plans and Specifications or within either document not clarified by addendum, the better quality or greater quantity of Work shall be provided in accordance with the Owner's interpretation in writing as determined in Owners sole discretion.

A.3.3 If the Contractor finds discrepancies in, or omissions from the Contract Documents, or if the Contractor is in doubt as to their meaning, the Contractor shall at once notify the Owner. Matters concerning and interpretation of requirements of the Contract Documents will be decided by the Owner in the Owner's sole discretion, who may delegate that duty in some instances to the Architect/Engineer. Responses to Contractor's requests for interpretation of Contract Documents will be made in writing by Owner (or the Architect/Engineer) within any time limits agreed upon or otherwise with reasonable promptness. Contractor shall not proceed without direction in writing from the Owner (or Architect/Engineer).

A.3.4 References to standard specifications, manuals, codes of any technical society, organization or association, to the laws or regulations of any governmental authority, whether such reference be specific or by implication, shall mean the latest standard specification, manual, code, laws or regulations in effect in the jurisdiction where the Project Site is located on the first published date of the Solicitation Document, except as may be otherwise specifically stated.

A.4 EXAMINATION OF PLANS, SPECIFICATIONS, AND PROJECT SITE

A.4.1 It is understood that the Contractor, before submitting an Offer, has made a careful examination of the Contract Documents; has become fully informed as to the quality and quantity of materials and the character of the Work required; and has made a careful examination of the location and conditions of the Work and the sources of supply for materials. The Owner will in no case be responsible for any loss or for any unanticipated costs that may be suffered by the Contractor as a result of the Contractor's failure to acquire full information in advance in regard to all conditions pertaining to the Work. No oral agreement or conversation with any officer, agent, or personnel of the Owner, or with the Architect/Engineer either before or after the execution of the Contract, shall affect or modify any of the terms or obligations herein contained. Contractor shall at all times be responsible for all utility locates regardless of the ownership of such utility infrastructure or service.

A.4.2 Should the Plans or Specifications fail to particularly describe the materials, kind of goods, or details of construction of any aspect of the Work, Contractor shall have the duty to make inquiry of the Owner and Architect/Engineer as to what is required prior to performance of the Work. Absent Specifications to the contrary, the materials or processes that would normally be used to produce first quality finished Work shall be considered a part of the Contract requirements.

A.4.3 Any design errors or omissions noted by the Contractor shall be reported promptly to the Owner, including without limitation, any nonconformity with Applicable Laws.

A.4.4 If the Contractor believes that adjustments to cost or Contract Time are involved because of clarifications or instructions issued by the Owner (or Architect/Engineer) in response to the Contractor's notices or requests for information, the Contractor must submit a written request to the Owner, setting forth the nature and specific extent of the request, including all time and cost impacts against the Contract as soon as possible, but no later than thirty (30) Days after receipt by Contractor of the clarifications or instructions issued. If the Owner denies Contractor's request for additional compensation, additional Contract Time, or other relief

that Contractor believes results from the clarifications or instructions, the Contractor may proceed to file a Claim under Section D.3, Claims Review Process. If the Contractor fails to perform the obligations of Sections A.4.1 to A.4.3, the Contractor shall pay such costs and damages to the Owner as would have been avoided if the Contractor had performed such obligations.

A.4.5 If the Contractor believes that adjustments to cost or Contract Time are involved because of an Unavoidable Delay caused by differing Project Site conditions, the Contractor shall notify the Owner immediately of differing Project Site conditions before the area has been disturbed. The Owner will investigate the area and make a determination as to whether or not the conditions differ materially from either the conditions stated in the Contract Documents or those which could reasonably be expected in execution of this particular Contract. If Contractor and the Owner agrees that a differing Project Site condition exists, any adjustment to compensation or Contract Time will be determined based on the process set forth in Section D.2.2 for adjustments to or deletions from Work. If the Owner disagrees that a differing Project Site condition exists and denies Contractor's request for additional compensation or Contract Time, Contractor may proceed to file a Claim under Section D.3, Claims Review Process.

A.5 INDEPENDENT CONTRACTOR STATUS

The service or services to be performed under the Contract are those of an independent contractor as defined in ORS 670.600. Contractor represents and warrants that it is not an officer, employee or agent of the Owner as those terms are used in ORS 30.265.

A.6 RETIREMENT SYSTEM STATUS AND TAXES

Contractor represents and warrants that it is not a contributing member of the Public Employees' Retirement System and will be responsible for any federal or state taxes applicable to payment received under the Contract. Contractor will not be eligible for any benefits from these Contract payments of federal Social Security, employment insurance, workers' compensation or the Public Employees' Retirement System, except as a self-employed individual. Unless the Contractor is subject to backup withholding, Owner will not withhold from such payments any amount(s) to cover Contractor's federal or state tax obligations.

A.7 GOVERNMENT EMPLOYMENT STATUS

A.7.1 If this payment is to be charged against federal funds, Contractor represents and warrants that it is not currently employed by the Federal Government. This does not preclude the Contractor from holding another contract with the Federal Government.

SECTION B ADMINISTRATION OF THE CONTRACT

B.1 OWNER'S ADMINISTRATION OF THE CONTRACT

B.1.1 The Owner shall administer the Contract as described in the Contract Documents throughout the term of the Contract, including the one-year period for correction of Work. The Owner will act as provided in the Contract Documents, unless modified in writing in accordance with other provisions of the Contract. In performing these tasks, the Owner may rely on the Architect/Engineer or other agents to perform some or all of these tasks.

B.1.2 The Owner may visit the Project Site at intervals appropriate to the stage of the Contractor's operations (1) to become generally familiar with and to keep the Owner informed about the progress and quality of the portion of the Work completed, (2) to endeavor to guard the Owner against defects and deficiencies in the Work, and (3) to determine in general if Work is being performed in a manner indicating that the Work, when fully completed, will be in accordance with the Contract Documents. The Owner will not

make exhaustive or continuous on-Project Site inspections to check the quality or quantity of the Work. Unless otherwise required in a Change Order, the Owner will neither have control over or charge of, nor be responsible for the construction means, methods, techniques, sequences or procedures, or for the safety precautions and programs in connection with the Work.

B.1.3 Except as otherwise provided in the Contract Documents or when direct communications have been specifically authorized, the Owner and Contractor shall communicate with each other within a reasonable time frame about matters arising out of or relating to the Contract. Communications by and with the Architect/Engineer's consultants shall be through the Architect/Engineer. Communications by and with Subcontractors and material suppliers shall be through the Contractor. Communications by and with separate contractors shall be through the Owner.

B.1.4 Based upon the Architect/Engineer's evaluations of the Contractor's Application for Payment, or unless otherwise stipulated by the Owner, the Architect/Engineer will review and certify the amounts due the Contractor and will issue Certificates for Payment in such amounts.

B.2 CONTRACTOR'S MEANS AND METHODS; MITIGATION OF IMPACTS

B.2.1 The Contractor shall supervise and direct the Work, using the Contractor's best skill and attention. The Contractor shall be solely responsible for and have control over construction means, methods, techniques, sequences and procedures and for coordinating all portions of the Work under the Contract, unless the Contract Documents give other specific instructions concerning these matters. If the Contract Documents give specific instructions concerning construction means, methods, techniques, sequences or procedures, the Contractor shall evaluate the Project Site safety thereof and, except as stated below, shall be fully and solely responsible for the Project Site safety of such means, methods, techniques, sequences or procedures.

B.2.2 The Contractor is responsible to protect and maintain the Work during the course of construction and to mitigate any adverse impacts to the Project, including those caused by authorized changes, which may affect cost, schedule, or quality.

B.2.3 The Contractor is responsible for the actions of all its personnel, laborers, suppliers, agents, and Subcontractors on the Project. The Contractor shall enforce strict discipline and good order among Contractor's employees and other persons carrying out the Work. The Contractor shall not permit employment of persons who are unfit or unskilled for the tasks assigned to them.

B.3 MATERIALS AND WORKMANSHIP

B.3.1 The intent of the Contract Documents is to provide for the construction and completion of every detail of the Work described. All Work shall be performed in a professional manner and, unless the means or methods of performing a task are specified elsewhere in the Contract Documents, Contractor shall employ methods that are generally accepted and used by the industry, in accordance with industry standards.

B.3.2 The Contractor is responsible to perform the Work as required by the Contract Documents. Defective Work shall be corrected at the Contractor's sole expense and within a reasonable time frame.

B.3.3 Work done and materials furnished may be subject to inspection and/or observation and testing by the Owner to determine if they conform to the Contract Documents. Inspection of the Work by the Owner does not relieve the Contractor of responsibility for the Work in accordance with the Contract Documents.

B.3.4 Contractor shall furnish adequate facilities, as required, for the Owner to have safe access to the Work including without limitation walkways, railings, ladders, tunnels, and platforms. Producers, suppliers, and fabricators shall also provide proper facilities and access to their facilities.

B.3.5 The Contractor shall furnish Samples of materials for testing by the Owner and include the cost of the Samples in the Contract Price.

B.4 PERMITS

Contractor shall obtain and pay for all necessary permits, licenses and fees, except for those specifically excluded in the Supplemental General Conditions, as required for the project. Contractor shall be responsible for all violations of the law. Contractor shall give all requisite notices to public authorities.

B.5 COMPLIANCE WITH GOVERNMENT REGULATIONS

B.5.1 Contractor shall comply with Applicable Laws, as amended pertaining to the Work and the Contract. Failure to comply with such requirements shall constitute a breach of Contract and shall be grounds for Contract termination. Without limiting the generality of the foregoing, Contractor expressly agrees to comply with the following, as applicable and as may be amended from time to time: (i) Title VI and VII of Civil Rights Act of 1964, as amended; (ii) Section 503 and 504 of the Rehabilitation Act of 1973, as amended; (iii) the Health Insurance Portability and Accountability Act of 1996; (iv) the Americans with Disabilities Act of 1990, as amended; (v) ORS Chapter 659A; as amended; (vi) all regulations and administrative rules established pursuant to any applicable laws; and (vii) all other applicable requirements of federal, state, county or other local government entity statutes, rules and regulations.

B.5.2 Contractor shall comply with all applicable requirements of federal and state civil rights and rehabilitation statutes, rules and regulations, and

(a) Contractor shall not discriminate against Disadvantaged, Minority, Women or Emerging Small Business enterprises, as those terms are defined in ORS 200.005, or a business enterprise that is owned or controlled by or that employs a disabled veteran, as that term is defined in ORS 408.225, in the awarding of subcontracts.

(b) Contractor shall maintain, in current and valid form, all licenses and certificates required by Applicable Laws or the Contract when performing the Work.

B.5.3 Contractor shall certify that it shall not accept a bid from Subcontractors to perform Work unless such Subcontractors are registered with the Construction Contractors Board in accordance with ORS 701.021 at the time they submit their bids to the Contractor.

B.5.4 Contractor shall certify that each landscape contracting business, as defined in ORS 671.520(2), performing Work under the Contract holds a valid landscape construction professional license issued pursuant to ORS 671.560.

B.5.5 The following notice is applicable to Contractors who perform excavation Work. ATTENTION: Oregon law requires you to follow rules adopted by the Oregon Utility Notification Center. Those rules are set forth in OAR 952-001-0010 through OAR 952-001-0090. You may obtain copies of the rules by calling the center at (877) 668-4001.

B.5.6 Failure to comply with any or all of the requirements of B.5.1 through B.5.5 shall be a material breach of Contract and constitute

grounds for Contract termination. Damages or costs resulting from such noncompliance shall be the responsibility of Contractor.

- B.5.7 The Contractor shall include in each subcontract those provisions required under ORS 279C.580.
- B.5.8 Contractor shall comply with ORS 652.220, compliance of which is a material element of this Contract and failure to comply is a material breach that entitles County to exercise any rights and remedies available under this Contract including, but not limited to, termination for default.

B.6 SUPERINTENDENCE

Contractor shall keep on the Project Site, during the progress of the Work, a competent superintendent and any necessary assistants who shall be satisfactory to the Owner and who shall represent the Contractor on the Project Site. Directions given to the superintendent by the Owner shall be confirmed in writing to the Contractor.

B.7 INSPECTION

- B.7.1 Owner shall have access to the Work at all times.
- B.7.2 Inspection of the Work will be made by the Owner at its discretion. The Owner will have authority to reject Work that does not conform to the Contract Documents in the Owner's sole discretion. Any Work found to be not in conformance with the Contract Documents, in the discretion of the Owner, shall be removed and replaced at the Contractor's expense.
- B.7.3 Contractor shall make or obtain at the appropriate time all tests, inspections and approvals of portions of the Work required by the Contract Documents or by Applicable Laws or orders of public authorities having jurisdiction. Unless otherwise provided, the Contractor shall make arrangements for such tests, inspections and approvals with an independent testing laboratory or entity acceptable to the Owner, or with the appropriate public authority, and shall bear all related costs of tests, inspections and approvals. Tests or inspections conducted pursuant to the Contract Documents shall be made promptly to avoid unreasonable delay in the Work. The Contractor shall give the Owner timely notice of when and where tests and inspections are to be made so that the Owner may be present for such procedures. Required certificates of testing, inspection or approval shall, unless otherwise required by the Contract Documents, be secured by the Contractor and promptly delivered to the Owner.
- B.7.4 As required by the Contract Documents, Work done or material used without required inspection or testing and/or without providing timely notice to the Owner may be ordered removed at the Contractor's expense.
- B.7.5 If directed to do so by Owner or other permitting authority any time before the Work is accepted, the Contractor shall uncover portions of the completed Work for inspection. After inspection, the Contractor shall restore such portions of Work to the standard required by the Contract. If the Work uncovered is unacceptable or was done without required testing or inspection or sufficient notice to the Owner, the uncovering and restoration shall be done at the Contractor's expense. If the Work uncovered is acceptable and was done with sufficient notice to the Owner, the uncovering and restoration will be paid for pursuant to a Change Order.
- B.7.6 If any testing or inspection reveals failure of the portions of the Work to comply with requirements established by the Contract Documents, all costs made necessary by such failure, including those of repeated procedures and compensation for the Owner's and Architect/Engineer's services and expenses, shall be at the Contractor's expense.

- B.7.7 In Owner's sole discretion, it may authorize other interested parties to inspect the Work affecting their interests or property. Their right to inspect shall not make them a party to the Contract and shall not interfere with the rights of the parties of the Contract. Instructions or orders of such parties shall be transmitted to the Contractor, through the Owner.

B.8 SUBCONTRACTS AND ASSIGNMENT

- B.8.1 Contractor shall require each Subcontractor, to the extent of the Work to be performed by the Subcontractor, to be bound by the terms and conditions of these General Conditions and Supplemental General Conditions, and to assume toward the Contractor all of the obligations and responsibilities which the Contractor assumes toward the Owner thereunder, unless (1) the same are clearly inapplicable to the subcontract at issue because of legal requirements or industry practices, or (2) specific exceptions are requested by Contractor and approved in writing by Owner. Where appropriate, Contractor shall require each Subcontractor to enter into similar agreements with sub-subcontractors at any level.
- B.8.2 At Owner's request, Contractor shall submit to Owner prior to their execution either Contractor's form of subcontract, or the subcontract to be executed with any particular Subcontractor. If Owner disapproves such form, Contractor shall not execute the form until the matters disapproved are resolved to Owner's satisfaction. Owner's review, comment upon or approval of any such form shall not relieve Contractor of its obligations under this Agreement or be deemed a waiver of such obligations of Contractor.
- B.8.3 Contractor shall not assign, sell, or transfer its rights, or delegate its responsibilities under the Contract, in whole or in part, without the prior written approval of the Owner. No such written approval shall relieve Contractor of any obligations of the Contract, and any transferee shall be considered the agent of the Contractor and bound to perform in accordance with the Contract Documents. Contractor shall remain liable as between the original parties to the Contract as if no assignment had occurred.

B.9 OWNER'S RIGHT TO DO WORK

Owner reserves the right to perform other or additional work at or near the Project Site with other agents than those of the Contractor. If such work takes place within or next to the Project Site, Contractor shall coordinate work with the other contractors or agents, cooperate with all other contractors or forces, carry out the Work in a way that will minimize interference and delay for all agents involved, place and dispose of materials being used so as not to interfere with the operations of another, and join the Work with the work of the others in an acceptable manner and perform it in proper sequence to that of the others. The Owner will resolve any disagreements that may arise between or among Contractor and the other contractors over the method or order of doing all work (including the Work). In case of unavoidable interference, the Owner will establish work priority (including the Work) in the Owner's sole discretion.

B.10 OTHER CONTRACTS

In all cases and at any time, the Owner has the right to execute other contracts related to or unrelated to the Work of the Contract. The Contractor of the Contract shall fully cooperate with any and all other contractors without additional cost to the Owner in the manner described in Section B.13.

B.11 ALLOWANCES

- B.11.1 The Contractor shall include in the Contract Price all allowances stated in the Contract Documents. Items covered by allowances

shall be supplied for such amounts and by such persons or entities as the Owner may direct.

- B.11.2 Unless otherwise provided in the Contract Documents:
- (a) when finally reconciled, allowances shall cover the cost of the Contractor's materials and equipment delivered at the Project Site and all required taxes, less applicable trade discounts;
 - (b) Contractor's costs for unloading and handling at the Project Site, labor, installation costs, Overhead, profit and other expenses contemplated for stated allowance amounts shall be included in the Contract Price but not in the allowances;
 - (c) whenever costs are more than or less than allowances, the Contract Price shall be adjusted accordingly by Change Order. The amount of the Change Order shall reflect (i) the difference between actual costs and the allowances under Section B.17.2(a) and (ii) changes in Contractor's costs under Section B.17.2(b);
 - (d) Unless Owner requests otherwise, Contractor shall provide to Owner a proposed fixed price for any allowance work prior to its performance.

B.12 SUBMITTALS, SHOP DRAWINGS, PRODUCT DATA AND SAMPLES

- B.12.1 The Contractor shall prepare and keep current, for the Architect's/Engineer's approval (or for the approval of Owner if approval authority has not been delegated to the Architect/Engineer), a schedule and list of submittals which is coordinated with the Contractor's construction schedule and allows the Architect/Engineer reasonable time to review submittals. Owner reserves the right to finally approve the schedule and list of submittals. Submittals include, without limitation, Shop Drawings, Product Data, and Samples.
- B.12.2 Shop Drawings, Product Data, Samples and similar submittals are not Contract Documents. The purpose of their submittal is to demonstrate for those portions of the Work for which submittals are required by the Contract Documents the way by which the Contractor proposes to conform to the information given and the design concept expressed in the Contract Documents. Review of submittals by the Architect/Engineer is not conducted for the purpose of determining the accuracy and completeness of other details such as dimensions and quantities, or for substantiating instructions for installation or performance of equipment or systems, or for approval of safety precautions or, unless otherwise specifically stated by the Architect/Engineer, of any construction means, methods, techniques, sequences or procedures, all of which remain the responsibility of the Contractor as required by the Contract Documents. The Architect/Engineer's review of the Contractor's submittals shall not relieve the Contractor of its obligations under the Contract Documents. The Architect/Engineer's approval of a specific item shall not indicate approval of an assembly of which the item is a component. Informational submittals upon which the Architect/Engineer is not expected to take responsive action may be so identified in the Contract Documents. Submittals which are not required by the Contract Documents may be returned by the Architect/Engineer without action.
- B.12.3 The Contractor shall review for compliance with the Contract Documents, approve and submit to the Architect/Engineer Shop Drawings, Product Data, Samples and similar submittals required by the Contract Documents with reasonable promptness and in such sequence as to cause no delay in the Work or in the activities of the Owner or of separate contractors. Submittals which are not marked as reviewed for compliance with the Contract Documents

and approved by the Contractor may be returned by the Architect/Engineer without action.

- B.12.4 By approving and submitting Shop Drawings, Product Data, Samples and similar submittals, the Contractor represents that the Contractor has determined and verified materials, field measurements and field construction criteria related thereto, or will do so, and has checked and coordinated the information contained within such submittals with the requirements of the Work and of the Contract Documents.
- B.12.5 The Contractor shall perform no portion of the Work for which the Contract Documents require submittal and review of Shop Drawings, Product Data, Samples or similar submittals until the respective submittal has been approved by the Architect/Engineer.
- B.12.6 The Work shall be in accordance with approved submittals except that the Contractor shall not be relieved of responsibility for deviations from requirements of the Contract Documents by the Architect/Engineer's review or approval of Shop Drawings, Product Data, Samples or similar submittals unless the Contractor has specifically informed the Architect/Engineer in writing of such deviation at the time of submittal and (i) the Architect/Engineer has given written approval to the specific deviation as a minor change in the Work, or (ii) a Change Order has been executed by Owner authorizing the deviation. The Contractor shall not be relieved of responsibility for errors or omissions in Shop Drawings, Product Data, Samples or similar submittals by the Architect/Engineer's review or approval thereof.
- B.12.7 In the event that Owner elects not to have the obligations and duties described under this Section B.18 performed by the Architect/Engineer, or in the event no Architect/Engineer is employed by Owner on the Project, all obligations and duties assigned to the Architect/Engineer hereunder shall be performed by the Owner.

B.13 SUBSTITUTIONS

The Contractor may make Substitutions only with the written consent of the Owner, after evaluation by the Owner and only in accordance with a Change Order. Substitutions shall be subject to the requirements of the Solicitation Document. By making requests for Substitutions, the Contractor represents that the Contractor has personally investigated the proposed substitute product; represents that the Contractor will provide the same warranty for the Substitution that the Contractor would for the product originally specified unless approved otherwise; certifies that the cost data presented is complete and includes all related costs under the Contract including redesign costs, and waives all claims for additional costs related to the Substitution which subsequently become apparent; and will coordinate the installation of the accepted Substitution, making such changes as may be required for the Work to be completed in all respects.

B.14 USE OF PLANS AND SPECIFICATIONS

Plans, Specifications and related Contract Documents furnished to Contractor by Owner or Owner's Architect/Engineer shall be used solely for the performance of the Work under the Contract. Contractor and its Subcontractors and suppliers are authorized to use and reproduce applicable portions of such documents appropriate to the execution of the Work, but shall not claim any ownership or other interest in them beyond the scope of the Contract, and no such interest shall attach. Unless otherwise indicated, all common law, statutory and other reserved rights, in addition to copyrights, are retained by Owner.

SECTION C
WAGES AND LABOR

C.1 PREVAILING WAGE RATES ON PUBLIC WORKS

Contractor shall comply fully with the provisions of ORS 279C.800 through 279C.870. Pursuant to ORS 279C.830(1)(d), Contractor shall pay workers at not less than the specified minimum hourly rate of wage, and shall include that requirement in all subcontracts. If the Work is subject to both the state prevailing wage rate law and the federal Davis-Bacon Act, Contractor shall pay the higher of the applicable state or federal prevailing rate of wage. Contractor shall provide written notice to all workers of the number of hours per day and days per week such workers may be required to work.

C.2 PAYROLL CERTIFICATION AND FEE REQUIREMENTS

- C.2.1 In accordance with ORS 279C.845, the Contractor and every Subcontractor shall submit written certified statements to the Owner on the form prescribed by the Commissioner of the Bureau of Labor and Industries ("BOLI"), certifying the hourly rate of wage paid each worker which the Contractor or the Subcontractor has employed on the Project and further certifying that no worker employed on the Project has been paid less than the prevailing rate of wage or less than the minimum hourly rate of wage specified in the Contract, which certificate and statement shall be verified by the oath of the Contractor or the Subcontractor that the Contractor or Subcontractor has read the certified statement, that the Contractor or Subcontractor knows the contents of the certified statement, and, that to the Contractor's or Subcontractor's best knowledge and belief, the certified statement is true. The certified statements shall set out accurately and completely the payroll records for the prior week, including the name and address of each worker, the worker's correct classification, rate of pay, daily and weekly number of hours worked, deductions made, and actual wages paid. Certified statements for each week during which the Contractor or Subcontractor has employed a worker on the Project shall be submitted once a month, by the fifth (5th) business day of the following month. The Contractor and Subcontractors shall preserve the certified statements for a period of ten (10) years from the date of completion of the Contract.
- C.2.2 Pursuant to ORS 279C.845(7), the Owner shall retain 25 percent of any amount earned by the Contractor on the Project until the Contractor has filed the certified statements required by section C.2.1. The Owner shall pay to the Contractor the amount retained under this subsection within 14 days after the Contractor files the required certified statements, regardless of whether a Subcontractor has failed to file certified statements.
- C.2.3 Pursuant to ORS 279C.845(8), the Contractor shall retain 25 percent of any amount earned by a first-tier Subcontractor on this Project until the first-tier Subcontractor has filed with the Owner the certified statements required by C.2.1. Before paying any amount retained under this subsection, the Contractor shall verify that the first-tier Subcontractor has filed the certified statement. Within 14 days after the first-tier Subcontractor files the required certified statement the Contractor shall pay the first-tier Subcontractor any amount retained under this subsection.
- C.2.4 In accordance with statutory requirements and administrative rules promulgated by the Commissioner of the Bureau of Labor and Industries, the fee required by ORS 279C.825(1) will be paid by Owner to the Commissioner.

C.3 PROMPT PAYMENT AND CONTRACT CONDITIONS

- C.3.1 As a condition to Owner's performance hereunder, the Contractor shall:
- C.3.1.1 Make payment promptly, as due, to all persons supplying to Contractor labor or materials for the prosecution of the Work provided for in the Contract.
- C.3.1.2 Pay all contributions or amounts due the State Industrial Accident Fund or successor program from such Contractor or Subcontractor incurred in the performance of the Contract.
- C.3.1.3 Not permit any lien or claim to be filed or prosecuted against the Owner on account of any labor or material furnished. Contractor will not assign any claims that Contractor has against Owner, or assign any sums due by Owner, to Subcontractors, suppliers, or manufacturers, and will not make any agreement or act in any way to give Subcontractors a claim or standing to make a claim against the Owner.
- C.3.1.4 Pay to the Department of Revenue all sums withheld from employees pursuant to ORS 316.167.
- C.3.2 If Contractor fails, neglects or refuses to make prompt payment of any claim for labor or services furnished to the Contractor of a Subcontractor by any person in connection with the Project as such claim becomes due, the proper officer(s) representing the Owner may pay the claim and charge the amount of the payment against funds due or to become due Contractor under the Contract. Payment of claims in this manner shall not relieve the Contractor or the Contractor's surety from obligation with respect to any unpaid claims.
- C.3.3 Contractor shall include in each subcontract for property or services entered into by the Contractor and a first-tier subcontractor, including a material supplier, for the purpose of performing a construction contract, a payment clause that obligates the Contractor to pay the first-tier Subcontractor for satisfactory performance under its subcontract within ten (10) Days out of such amounts as are paid to the Contractor by the Owner under such contract.
- C.3.4 If the Contractor or a first-tier subcontractor fails, neglects or refuses to pay a person that provides labor or materials in connection with the Contract within 30 days after receiving payment from the contracting agency or a contractor, the Contractor or first-tier subcontractor owes the person the amount due plus interest charges that begin at the end of the 10-day period within which payment is due under ORS 279C.580 (4) and that end upon final payment, unless payment is subject to a good faith dispute as defined in ORS 279C.580. The rate of interest on the amount due is nine percent per annum. The amount of interest may not be waived.
- C.3.5 If the Contractor or a subcontractor fails, neglects or refuses to make payment to a person furnishing labor or materials in connection with the Contract, the person may file a complaint with the Construction Contractors Board, unless payment is subject to a good faith dispute as defined in ORS 279C.580.
- C.3.6 All employers, including Contractor, that employ subject workers who work under the Contract in the State of Oregon shall comply with ORS 656.017 and provide the required Workers' Compensation coverage, unless such employers are exempt under ORS 656.126. Contractor shall ensure that each of its Subcontractors complies with these requirements.
- C.3.7 In accordance with ORS 279C.570, for all subcontracts that exceed \$500,000 that the Contractor withholds retainage, the Contractor shall place amounts deducted as retainage into an interest-bearing escrow account. Interest on the retainage amount accrues from the

date the payment request is approved until the date the retainage is paid to the Subcontractor to which it is due.

C.4 PAYMENT FOR MEDICAL CARE

As a condition to Owner's performance hereunder, Contractor shall promptly, as due, make payment to any person, co-partnership, association or corporation furnishing medical, surgical, and hospital care or other needed care and attention, incident to sickness or injury, to the employees of the Contractor, of all sums of which the Contractor agrees to pay for the services and all moneys and sums that the Contractor collected or deducted from the wages of employees under any law, contract or agreement for the purpose of providing or paying for the services.

C.5 HOURS OF LABOR

As a condition to Owner's performance hereunder, no person shall be employed to perform Work under the Contract for more than ten (10) hours in any one day or forty (40) hours in any one week, except in cases of necessity, emergency or where public policy absolutely requires it. In such instances, Contractor shall pay the employee at least time and a half pay:

- (a) For all overtime in excess of eight (8) hours a day or forty (40) hours in any one week when the work week is five consecutive Days, Monday through Friday; or
- (b) For all overtime in excess of ten (10) hours a day or forty (40) hours in any one week when the work week is four consecutive Days, Monday through Friday; and
- (c) For all Work performed on Saturday and on any legal holiday specified in ORS 279C.540.

This Section C.5 will not apply to Contractor's Work under the Contract to the extent Contractor is currently a party to a collective bargaining agreement with any labor organization.

This Section C.5 shall not excuse Contractor from completion of the Work within the time required under the Contract.

**SECTION D
CHANGES IN THE WORK**

D.1 CHANGES IN WORK

D.1.1 The terms of the Contract shall not be waived, altered, modified, supplemented or amended in any manner whatsoever, without prior written agreement and then only after any necessary approvals have been obtained. A Change Order is required to modify the Contract, which shall not be effective until its execution by the parties to the Contract and all approvals required by public contracting laws have been obtained.

D.1.2 It is mutually agreed that changes in Plans, quantities, or details of construction may be necessary or desirable during the course of construction. Within the general scope of the Contract, the Owner may at any time, without notice to the sureties and without impairing the Contract, require changes it deems necessary or desirable within the scope of this Project and consistent with this Section D.1. All changes to the Work shall be documented and Change Orders shall be executed under the conditions of the Contract Documents. Such changes may include, but are not limited to:

- (a) Modification of specifications and design.
- (b) Increases or decreases in quantities.
- (c) Increases or decreases to the amount of Work.
- (d) Addition or elimination of any Work item.
- (e) Change in the duration of the Project.

- (f) Acceleration or delay in performance of Work.
- (g) Deductive changes.

Deductive changes are those that reduce the scope of the Work, and shall be made by mutual agreement whenever feasible. In cases of suspension or partial termination under Section J, Owner reserves the right to unilaterally impose a deductive change and to self-perform such Work, for which the provisions of Section B.13 (Owner's Right to Do Work) shall then apply. Adjustments in compensation shall be made under Section D.1.3, in which costs for deductive changes shall be based upon a Direct Costs adjustment together with the related percentage markup specified for profit, Overhead and other indirect costs, unless otherwise agreed to by Owner.

D.1.3 The Owner and Contractor agree that adjustments to or deletions from the Work shall be administered and compensated according to the following:

- (a) **Unit Pricing:** Unit pricing may be utilized at the Owner's option when unit prices or solicitation alternates were provided that established the cost for adjustments to Work, and a binding obligation exists under the Contract on the parties covering the terms and conditions of the adjustment to Work.
- (b) **Fixed Fee:** If the Owner elects not to utilize unit pricing, or in the event that unit pricing is not available or appropriate, fixed pricing may be used for adjustments to or deletions from the Work. In fixed pricing, the basis of payments or total price shall be agreed upon in writing between the parties to the Contract, and shall be established before the Work is done whenever feasible. Notwithstanding the foregoing, the mark-ups set forth in Section D.1.3(c) shall be utilized in establishing fixed pricing, and such mark-ups shall not be exceeded. Cost and price data relating to adjustments to or deletions from the Work shall be supplied by Contractor to Owner upon request, but Owner shall be under no obligation to make such requests.
- (c) **Time and Material:** In the event that unit pricing and fixed pricing are not utilized, then adjustments to or deletions from the Work shall be performed on a cost reimbursement basis for Direct Costs. Such Work shall be compensated on the basis of the actual, reasonable and allowable cost of labor, equipment, and material furnished on the Work performed. The Contractor or Subcontractor who performs the Work shall be allowed to add up to ten percent (10%) markup to the Direct Costs as full compensation for profit, Overhead and other indirect costs for Work performed with the Contractor's or Subcontractor's own agents

Each ascending tier Subcontractor or the Contractor that did not perform the Work, will be allowed to add up to five percent (5%) supplemental markup on the Direct Costs of the Work (but not the above allowable markups) covered by a Change Order. No additional markup shall be permitted for any third tier or greater descending Subcontractor.

Example: \$20,000 of Direct Costs Work performed by a 2nd Tier Subcontractor

	Markup	Allowed Total Fee Plus Markup
General Contractor	5%	\$1,000.00
1 st Tier Sub Contractor	5%	\$1,000.00
2 nd Tier Sub Contractor	10%	\$22,000.00

- (d) Payments made to the Contractor shall be complete compensation for Overhead, profit, and all costs that were incurred by the Contractor or by other agents furnished by the Contractor, including Subcontractors, for adjustments to or deletions from the Work pursuant to a Change Order. Owner may establish a maximum cost for additional Work under this Section D.1.3, which shall not be exceeded for reimbursement without additional written

authorization from Owner in the form of a Change Order. Contractor shall not be required to complete such additional Work without additional authorization.

- D.1.4 Any necessary adjustment of Contract Time that may be required as a result of adjustments to or deletions from the Work must be agreed upon by the parties before the start of the revised Work unless Owner authorizes Contractor to start the revised Work before agreement on Contract Time adjustment.

Contractor shall submit any request for additional compensation (and additional Contract Time if Contractor was authorized to start Work before an adjustment of Contract Time was approved) as soon as possible but no later than thirty (30) Days after receipt of Owner's request for additional Work. If Contractor's request for additional compensation or adjustment of Contract Time is not made within the thirty (30) Day time limit, Contractor's requests pertaining to that additional Work shall be barred. The thirty (30) Day time limit for making requests shall not be extended for any reason, including without limitation Contractor's claimed inability to determine the amount of additional compensation or adjustment of Contract Time, unless an extension is granted in writing by Owner. If the Owner denies Contractor's request for additional compensation or adjustment of Contract Time, Contractor may proceed to file a Claim under Section D.3, Claims Review Process. No other reimbursement, compensation, or payment will be made, except as provided in Section D.1.5 for impact claims.

- D.1.5 If any adjustment to Work under Section D.1.3 causes an increase or decrease in the Contractor's cost of, or the Contract Time required for the performance of any other part of the Work under the Contract, Contractor shall submit a written request to the Owner, setting forth the nature and specific extent of the request, including all time and cost impacts against the Contract as soon as possible, but no later than thirty (30) Days after receipt of Owner's request for adjustments to or deletions from the Work by Contractor.

The thirty (30) Day time limit applies to claims of Subcontractors, suppliers, or manufacturers who may be affected by Owner's request for adjustments to or deletions from the Work and who request additional compensation or an extension of Contract Time to perform; Contractor has responsibility for contacting its Subcontractors, suppliers, or manufacturers within the thirty (30) Day time limit, and including their requests with Contractor's requests. If the request involves Work to be completed by Subcontractors, or materials to be furnished by suppliers or manufacturers, such requests shall be submitted to the Contractor in writing with full analysis and justification for the adjustments to compensation and Contract Time requested. The Contractor shall analyze and evaluate the merits of the requests submitted by Subcontractors, suppliers, and manufacturers to Contractor prior to including those requests and Contractor's analysis and evaluation of those requests with Contractor's requests for adjustments to compensation or Contract Time that Contractor submits to the Owner. Failure of Subcontractors, suppliers, manufacturers or others to submit their requests to Contractor for inclusion with Contractor's requests submitted to Owner within the time period and by the means described in this section shall constitute a waiver of these Subcontractor claims. The Owner will not consider direct requests or claims from Subcontractors, suppliers, manufacturers or others not a party to the Contract. The consideration of such requests and claims under this section does not give any Person, not a party to the Contract the right to bring a claim against Owner, whether in this claims process, in litigation, or in any dispute resolution process.

If the Owner denies the Contractor's request for adjustment to compensation or Contract Time, the Contractor may proceed to file a Claim under Section D.3, Claims Review Process.

- D.1.6 No request or Claim by the Contractor for additional costs or an adjustment of Contract Time shall be allowed if made after receipt of final payment application under the Contract. Final payment application must be made by Contractor within the time required under Section E.6.4.

- D.1.7 It is understood that changes in the Work are inherent in construction of this type. The number of changes, the scope of those changes, and the effect they have on the progress of the original Work cannot be defined at this time. The Contractor agrees that it will work in good faith with Owner to undertake changes, when agreed upon by execution of a Change Order. Each change will be evaluated for extension of Contract Time and increase or decrease in compensation based on its own merit.

D.2 DELAYS

- D.2.1 Contractor shall not be entitled to additional compensation or additional Contract Time for Avoidable Delays.

- D.2.2 In the event of Unavoidable Delays, Contractor may be entitled to the following:

- (a) Contractor may be entitled to additional compensation or additional Contract Time, or both, for Unavoidable Delays described in Section D.2.1.2 (a) and (b).
- (b) Contractor may be entitled to additional Contract Time for Unavoidable Delays described in Section D.2.1.2(c) and (d).

In the event of any requests for additional compensation or additional Contract Time, or both, as applicable, arising under this Section D.2.2 for Unavoidable Delays, other than requests for differing Project Site conditions for which a review process is established under Section A.4.5, Contractor shall submit a written notification of the delay to the Owner within two (2) Days of the occurrence of the cause of the delay. This written notification shall state the cause of the potential delay, the Project components impacted by the delay, and the anticipated additional Contract Time extension or the additional compensation, or both, as applicable, resulting from the delay. Within seven (7) Days after the cause of the delay has been mitigated, or in no case more than thirty (30) Days after the initial written notification, the Contractor shall submit to the Owner, a complete and detailed request for additional compensation or additional Contract Time, or both, as applicable, resulting from the delay. If the Owner denies Contractor's request for additional compensation or adjustment of Contract Time, the Contractor may proceed to file a Claim under Section D.3, Claims Review Process.

If Contractor does not timely submit the notices required under this Section D.2, Contractor's Claim shall be barred.

D.3 CLAIMS REVIEW PROCESS

- D.3.1 All Contractor Claims shall be referred to the Owner for review. Contractor's Claims, including Claims for adjustments to compensation or Contract Time, shall be submitted in writing by Contractor to the Owner within five (5) Days after a denial of Contractor's initial request for an adjustment of Contract terms, payment of money, extension of Contract Time or other relief, provided that such initial request has been submitted in accordance with the requirements and within the time limits established in these County General Conditions. Within thirty (30) Days after the initial Claim, Owner shall receive from Contractor a complete and detailed description of the Claim (the "Detailed Notice") that includes all information required by Section D.3.2. Unless the Claim is made in accordance with these time requirements, it shall be barred.

SECTION E
PAYMENTS

D.3.2 The Detailed Notice of the Claim shall be submitted in writing by Contractor and shall include all information, records and documentation necessary for the Owner to properly and completely evaluate the claim, including, but not limited to a detailed, factual statement of the basis of the Claim, pertinent dates, Contract provisions which support or allow the Claim, reference to or copies of any documents which support the Claim, the dollar value of the Claim, and the Contract Time adjustment requested for the Claim. If the Claim involves Work to be completed by Subcontractors, the Contractor will analyze and evaluate the merits of the Subcontractor claim prior to forwarding it and that analysis and evaluation to the Owner. The Owner will not consider direct claims from Subcontractors, suppliers, manufacturers, or others not a party to the Contract. Contractor agrees that it will make no agreement, covenant, or assignment, nor will it commit any other act that will permit or assist any Subcontractor, supplier, manufacturer, or other to directly or indirectly make a claim against Owner.

D.3.3 The Owner, through the Architect/Engineer (or other employee or agent assigned by the Owner) will review all Claims and take one or more of the following preliminary actions within ten (10) Days of receipt of the Detailed Notice of a Claim: (1) request additional supporting information from the Contractor; (2) inform the Contractor and Owner in writing of the time required for adequate review and response; (3) reject the Claim in whole or in part and identify the reasons for rejection; (4) recommend approval of all or part of the Claim; (5) arrange a meeting with the Contractor for formal review of the Claim; or (6) propose an alternate resolution.

D.3.4 Once the Engineer or Project Manager determines the Owner is in receipt of a properly submitted claim, the Engineer or Project Manager may arrange a meeting, as agreed by the parties, with the Contractor in order to present the claim for formal review and discussion. A person authorized by the Contractor to execute Change Orders on behalf of the Contractor must be present and attend all claim meetings.

D.3.5 The Owner's decision, through the Architect/Engineer (or other employee or agent assigned by the Owner), shall be final and binding on the Contractor unless appealed by written notice to the Owner within fifteen (15) Days of receipt of the decision. The Contractor must present written documentation supporting the Claim within fifteen (15) Days of the notice of appeal. After receiving the appeal documentation, the Owner, through the appropriate department director, shall review the materials and render a decision within thirty (30) Days after receiving the appeal documents.

D.3.6 If, at any step in the claim decision or review process, the Contractor fails to promptly submit requested information or documentation that the Owner deems necessary to analyze the claim, the Contractor is deemed to have waived its right to further review, and the Claim will not be considered properly filed and preserved.

D.3.7 Both parties agree to exercise their best efforts in good faith to resolve all disputes within sixty (60) Days of the issuance of the appeal in Section D. 3.4 above. If the parties are unable to resolve their issues through mediation or otherwise, either party may seek redress through all available remedies in equity or in law.

D.3.8 Unless otherwise directed by Owner, Contractor shall proceed with the Work while any Claim, or mediation or litigation arising from a Claim, is pending. Regardless of the review period or the final decision of the Owner, the Contractor shall continue to diligently pursue the Work as identified in the Contract Documents. In no case is the Contractor justified or allowed to cease or delay Work, in whole or in part, without a written stop work order from the Owner.

E.1 SCHEDULE OF VALUES

The Contractor shall submit, by or before the pre-construction conference (as described in Section H.1.3), a schedule of values ("Schedule of Values") for the Contract Work. This schedule shall provide a breakdown of values for the Contract Work and will be the basis for progress payments. The breakdown shall demonstrate reasonable, identifiable, and measurable components of the Work. Unless objected to by the Owner, this schedule shall be used as the basis for reviewing Contractor's applications for payment. If objected to by Owner, Contractor shall revise the schedule of values and resubmit the same for approval of Owner.

E.2 APPLICATIONS FOR PAYMENT

E.2.1 Owner shall make progress payments on the Contract monthly as Work progresses, in accordance with the requirements of this Section E.2 and ORS 279C.570. Applications for payment shall be based upon estimates of Work completed and the Schedule of Values. As a condition precedent to Owner's obligation to pay, all applications for payment shall be approved by the Owner. A progress payment shall not be considered acceptance or approval of any Work or waiver of any defects therein. Owner shall pay to Contractor interest in accordance with ORS 279C.570 for overdue invoices, not including retainage, due the Contractor. Overdue invoices will be those that have not been paid within the earlier of:

- (a) Thirty (30) days after receipt of the invoice; or
- (b) Fifteen (15) days after the payment is approved by the County.

Notwithstanding the foregoing, in instances when an application for payment is filled out incorrectly, or when there is any defect or impropriety in any submitted application or when there is a good faith dispute, Owner shall so notify the Contractor within fifteen (15) Days stating the reason or reasons the application for payment is defective or improper or the reasons for the dispute. A defective or improper application for payment, if corrected by the Contractor within seven (7) Days of being notified by the Owner, shall not cause a payment to be made later than specified in this section unless interest is also paid. Payment of interest will be postponed when payment on the principal is delayed because of disagreement between the Owner and the Contractor.

Owner reserves the right, instead of requiring the Contractor to correct or resubmit a defective or improper application for payment, to reject the defective or improper portion of the application for payment and pay the remainder of the application for such amounts which are correct and proper.

Owner, upon written notice to the Contractor, may elect to make payments to the Contractor only by means of Electronic Funds Transfers ("EFT") through Automated Clearing House ("ACH") payments. If Owner makes this election, the Contractor shall arrange for receipt of the EFT/ACH payments.

E.2.2 Contractor shall submit to the Owner an application for each payment and, if required, receipts or other vouchers showing payments for materials and labor including payments to Subcontractors. Contractor shall include in its application for payment a schedule of the percentages of the various parts of the Work completed, based on the Schedule of Values which shall aggregate to the payment application total, and shall include, on the face of each copy thereof, a certificate in substantially the following form:

"I, the undersigned, hereby certify that the above bill is true and correct, and the payment therefore, has not been received.

Signed: _____
Dated: _____"

E.2.3 Generally, applications for payment will be accepted only for materials that have been installed. Under special conditions, applications for payment for stored materials will be accepted at Owner's sole discretion. Such a payment, if made, will be subject to the following conditions:

- (a) The request for stored material shall be submitted at least thirty (30) Days in advance of the application for payment on which it appears. Applications for payment shall be entertained for major equipment, components or expenditures only.
- (b) The Contractor shall submit applications for payment showing the quantity and cost of the material stored.
- (c) The material shall be stored in a bonded warehouse and Owner shall be granted the right to access the material for the purpose of removal or inspection at any time during the Contract Period.
- (d) The Contractor shall name the Owner as co-insured on the insurance policy covering the full value of the property while in the care and custody of the Contractor until it is installed. A certificate noting this coverage shall be issued to the Owner.
- (e) Payments shall be made for materials and equipment only. The submitted amount in the application for payment shall be reduced by the cost of transportation from the storage site to the Project Site and for the cost of an inspector to verify delivery and condition of the goods at the storage site. The cost of storage and inspection shall be borne solely by the Contractor.
- (f) Within sixty (60) Days of the application for payment, the Contractor shall submit evidence of payment covering the material and/or equipment stored and of payment for the storage site.
- (g) Payment for stored materials and/or equipment shall in no way indicate acceptance of the materials and/or equipment or waive any rights under the Contract for the rejection of the Work or materials and/or equipment not in conformance with the Contract Documents.
- (h) All required documentation shall be submitted with the respective application for payment.

E.2.4 The Owner reserves the right to withhold all or part of a payment, or may nullify in whole or part any payment previously made, to such extent as may be necessary in the Owner's opinion to protect the Owner from loss because of:

- (a) Work that is defective and not remedied, or that has been demonstrated or identified as failing to conform with Applicable Laws or the Contract Documents;
- (b) third party claims filed or evidence reasonably indicating that such claims will likely be filed unless security acceptable to the Owner is provided by the Contractor;
- (c) failure of the Contractor to make payments properly to Subcontractors or for labor, materials or equipment (in which case Owner may issue checks made payable jointly to Contractor and such unpaid persons under this provision, or directly to Subcontractors and suppliers at any level under Section C.3.2);

- (d) reasonable evidence that the Work cannot be completed for the unpaid balance of the Contract Price;
- (e) damage to the Work, Owner or Owner's agent;
- (f) reasonable evidence that the Work will not be completed within the Contract Time required by the Contract, and that the unpaid balance would not be adequate to cover actual or liquidated damages for the anticipated delay;
- (g) failure to carry out the Work in accordance with the Contract Documents; or
- (h) assessment of liquidated damages, when withholding is made for offset purposes.

E.2.5 Subject to the provisions of the Contract Documents, the amount of each progress payment shall be computed as follows:

- (a) Take that portion of the Contract Price properly allocable to completed Work as determined by multiplying the percentage completion of each portion of the Work by the share of the total Contract Price allocated to that portion of the Work in the Schedule of Values, less retainage as provided in Section E.5. Pending final determination of cost to the Owner of changes in the Work, no amounts for changes in the Work can be included in applications for payment until the Contract Price has been adjusted by a Change Order;
- (b) Add that portion of the Contract Price properly allocable to materials and equipment delivered and suitably stored at the Project Site for subsequent incorporation in the completed construction (or, if approved in advance by the Owner pursuant to Section E.2.3, suitably stored off the Project Site at a location agreed upon in writing), less retainage as provided in Section E.5;
- (c) Subtract the aggregate of previous payments made by the Owner; and
- (d) Subtract any amounts for which the Owner has withheld or nullified payment as provided in the Contract Documents.

E.2.6 Contractor's applications for payment shall not include requests for payment for portions of the Work for which the Contractor does not intend to pay to a Subcontractor or material supplier.

E.2.7 The Contractor warrants to Owner that title to all Work covered by an application for payment will pass to the Owner no later than the time of payment. The Contractor further warrants that upon submittal of an application for payment all Work for which payments are received from the Owner shall be free and clear of liens, claims, security interests or encumbrances in favor of the Contractor, Subcontractors, material suppliers, or other persons or entities making a claim by reason of having provided financing, labor, materials and equipment relating to the Work.

E.2.8 If Contractor disputes any determination by Owner with regard to any application for payment, Contractor nevertheless shall continue to expeditiously perform the Work. No payment made hereunder shall be or be construed to be final acceptance or approval of that portion of the Work to which such partial payment relates or shall relieve Contractor of any of its obligations hereunder.

E.3 PAYROLL CERTIFICATION REQUIREMENT

Owner's receipt of payroll certification pursuant to Section C.2 of the Contract shall be a condition precedent to Owner's obligation to pay any progress payments or final payment otherwise due.

E.4 DUAL PAYMENT SOURCES

Contractor shall not be compensated for Work performed under the Contract from any state agency other than the agency that is a party to the Contract.

E.5 RETAINAGE

E.5.1 Retainage shall be withheld and released in accordance with the requirements set forth in Local Contract Review Board Rules or the applicable County standard.

E.5.1.1 Owner may reserve as retainage from any progress payment an amount not to exceed five percent of the payment. As Work progresses, Owner may reduce the amount of retainage on or may eliminate retainage on any remaining monthly Contract payments after fifty (50) percent of the Work under the Contract is completed if, in the Owner's discretion, such Work is progressing satisfactorily. Elimination or reduction of retainage shall be allowed only upon written application by the Contractor, which application shall include written approval of Contractor's surety; except that when the Work is ninety-seven and a half percent (97.5%) completed in Owner's estimation, the Owner may, at its discretion and without application by the Contractor, reduce the retained amount to hundred (100) percent of the value of the Work remaining to be done. Upon receipt of written application by the Contractor, Owner shall respond in writing within a reasonable time.

E.5.1.2 If retainage is withheld, unless the Contractor requests and the Owner accepts a form of retainage described in options (a) or (b) below, the Owner (except as otherwise provided below for a contract of \$500,000 or less), will deposit the retainage in an interest-bearing escrow account as required by ORS 279C.570(2). The Contractor shall execute such documentation and instructions respecting the interest-bearing escrow account as the Owner may require to protect its interests, including but not limited to a provision that no funds may be paid from the account to anyone without the Owner's advance written authorization. For a Contract over \$500,000, if the Contractor requests that the Owner deposit the retainage in an interest-bearing account under ORS 279C.560(5), the Owner will use an interest-bearing escrow account as stated above. For a Contract of \$500,000 or less, if the Contractor requests that the Owner deposit the retainage in an interest-bearing account under ORS 279C.560(5), the Owner will use an interest-bearing account (in a bank, savings bank, trust company or savings association) as provided under ORS 279C.450(5).

In accordance with the provisions of ORS 279C.560, Local Contract Review Board Rules, or the applicable County standard, unless the Owner finds in writing that accepting bonds, securities or other instruments described in option (a) below or a security bond described in option (b) below poses an extraordinary risk that is not typically associated with the bond, security or instrument, the Owner will approve the Contractor's written request:

- a. to be paid amounts which would otherwise have been retained from progress payments where Contractor has deposited acceptable bonds, securities or other instruments of equal value with Owner or in a custodial account or other mutually-agreed account satisfactory to Owner, with an approved bank or trust company to be held in lieu of the cash retainage for the benefit of Owner. Interest or earnings on the bonds, securities or other instruments shall accrue to the Contractor. The Contractor shall execute and provide such documentation and instructions respecting the bonds, securities and other instruments as the Owner may require to protect its interests. To be permissible, the bonds, securities and other instruments must be of a character approved by Owner; or

- b. that the Contractor be allowed, with the approval of the Owner, Owner allow Contractor to deposit a surety bond for the benefit of Owner, in a form acceptable to Owner, in lieu of all or a portion of funds retained, or to be retained. Such bond and any proceeds therefrom shall be made subject to all claims and liens in the manner and priority as set forth for retainage under ORS 279C.550 to ORS 279C.625.

When the Owner has accepted the Contractor's election of option (a) or (b), Owner may recover from Contractor any additional costs incurred through such election by reducing Contractor's final payment. Where the Owner has agreed to Contractor's request for option (b), Contractor shall accept like bonds from Subcontractors and suppliers on the Project from which Contractor has required retainages.

E. 5.1.3 The retainage held by Owner shall be included in and paid to the Contractor as part of the final payment of the Contract Price. The Owner shall pay to Contractor interest at the rate of two thirds of one percent per month on the final payment due Contractor, interest to commence forty-five (45) Days after the date which Owner receives Contractor's final approved application for payment and Work under the Contract has been completed and accepted and to run until the date when final payment is tendered to Contractor. The Contractor shall notify Owner in writing when the Contractor considers the Work complete and deliver to Owner its final application for payment and Owner shall, within fifteen (15) Days after receiving the written notice and the application for payment, either accept the Work or notify the Contractor of Work yet to be performed on the Contract. If Owner does not within the time allowed notify the Contractor of Work yet to be performed to fulfill contractual obligations, the interest provided by this subsection shall commence to run forty-five (45) Days after the end of the fifteen (15) Day period.

E.5.1.4 Owner will reduce the amount of the retainage if the Contractor notifies the Owner that the Contractor has deposited in an escrow account with a bank or trust company, in a manner authorized by the Owner, bonds and securities of equal value of a kind approved by the Owner and such bonds and securities have in fact been deposited.

E.5.1.5 Contractor agrees that if Contractor elects to reserve a retainage from any progress payment due to any Subcontractor or supplier, such retainage shall not exceed five percent of the payment, and such retainage withheld from Subcontractors and suppliers shall be subject to the same terms and conditions stated in Subsection E.5 as apply to Owner's retainage from any progress payment due to Contractor.

E.5.1.6 The Contractor shall comply with all applicable legal requirements for withholding and releasing retainage and for prompt payments, including but not limited to those in ORS Chapters 279C and 701, and 49 CFR 26.29.

E.6 FINAL PAYMENT

E.6.1 Upon completion of all the Work under the Contract, the Contractor shall notify the Owner, in writing, that Contractor has completed Contractor's obligations under the Contract and shall prepare its application requesting final payment. The amount of final payment will be the difference between the total amount due the Contractor pursuant to the Contract Documents and the sum of all payments previously made. Upon receipt of such notice and application for payment, the Owner will inspect the Work, and, if acceptable, submit to Contractor a recommendation as to acceptance of the completed Work and the final estimate of the amount due the Contractor. If the Work is not acceptable, Owner will notify Contractor within fifteen (15) Days of Contractor's request for final payment. Upon approval of this final application for payment by the Owner and compliance by the Contractor with

provisions in Section K, and Contractor's satisfaction of other provisions of the Contract Documents as may be applicable, the Owner shall pay to the Contractor all monies due under the provisions of these Contract Documents.

- E.6.2 Neither final payment nor any remaining retained percentage shall become due until the Contractor submits to the Owner (1) a certificate evidencing that insurance required by the Contract Documents to remain in force after final payment is currently in effect and will not be canceled or allowed to expire until at least thirty (30) Days' prior written notice has been given to the Owner, (2) a written statement that the Contractor knows of no substantial reason that the insurance will not be renewable to cover the period required by the Contract Documents, (3) consent of surety, if any, to final payment and (4), if required by the Owner, other data establishing payment or satisfaction of obligations, such as receipts, releases and waivers of liens, claims, security interests or encumbrances arising out of the Contract, to the extent and in such form as may be designated by the Owner. If a Subcontractor refuses to furnish a release or waiver required by the Owner, the Contractor may furnish a bond satisfactory to the Owner to indemnify the Owner against such lien. If such lien remains unsatisfied after payments are made, the Contractor shall refund to the Owner all money that the Owner may be compelled to pay in discharging such lien.
- E.6.3 Acceptance of final payment by the Contractor, a Subcontractor or material supplier shall constitute a waiver of claims by that payee except those previously made in writing and identified by that payee as unsettled at the time of final application for payment.
- E.6.4 Contractor agrees to submit its final payment application within ninety (90) Days after Substantial Completion, unless written extension is granted by Owner. Contractor shall not delay final payment application for any reason, including without limitation nonpayment of Subcontractors, suppliers, manufacturers or others not a party to the Contract, or lack of resolution of a dispute with Owner or any other person of matters arising out of or relating to the Contract. If Contractor fails to submit its final payment application within ninety (90) Days after Substantial Completion, and Contractor has not obtained written extension by Owner, all requests or Claims for additional costs or an extension of Contract Time shall be barred.

SECTION F PROJECT SITE CONDITIONS

F.1 USE OF PREMISES

Contractor shall confine equipment, storage of materials and operation of Work to the limits indicated by Contract Documents, Applicable Laws, permits or directions of the Owner. Contractor shall follow the Owner's instructions regarding use of premises, if any.

F.2 PROTECTION OF WORKERS, PROPERTY AND THE PUBLIC

- F.2.1 Contractor shall maintain continuous and adequate protection of all of the Work from damage and shall protect the Owner, workers and property from injury or loss arising in connection with the Contract. Contractor shall remedy acceptably to the Owner any damage, injury, or loss, except such as may be directly due to errors in the Contract Documents or caused by authorized representatives or personnel of the Owner. Contractor shall adequately protect adjacent property as provided by law and the Contract Documents.
- F.2.2 Contractor shall take all necessary precautions for the safety of all personnel on the Project Site or otherwise engaged in the undertaking of the Work and shall comply with the Contract Documents, best practices and all applicable provisions of federal, state and municipal safety laws and building codes to prevent

accidents or injury to persons on, about or adjacent to the premises where the Work is being performed. Contractor shall erect and properly maintain at all times, as required by the conditions and progress of the Work, all necessary safeguards for protection of workers and the public against any hazards created by construction. Contractor shall designate a responsible employee or associate on the Project Site, whose duty shall be the prevention of accidents. The name and position of the person designated shall be reported to the Owner. The Owner has no responsibility for Project Site safety. Project Site safety shall be the responsibility of the Contractor.

- F.2.3 Contractor shall not enter upon private property without first obtaining permission from the property owner or its duly authorized representative. Contractor shall be responsible for the preservation of all public and private property along and adjacent to the Work contemplated under the Contract and shall use every precaution necessary to prevent damage thereto. In the event the Contractor damages any property, the Contractor shall at once notify the property owner and make, or arrange to make, full restitution. Contractor shall, immediately and in writing, report to the Owner, all pertinent facts relating to such property damage and the ultimate disposition of the claim for damage.
- F.2.4 Contractor shall be responsible for protection of adjacent work areas including impacts brought about by activities, equipment, labor, utilities, vehicles and materials on the Project Site.
- F.2.5 Contractor shall at all times direct its activities in such a manner as to minimize adverse effects on the environment. Handling of all materials shall be conducted so no release will occur that may pollute or become hazardous.
- F.2.6 In an emergency affecting the safety of life or limb or of the Work or of adjoining property, the Contractor, without special instruction or authorization from the Owner, shall act reasonably to prevent threatened loss or injury, and shall so act, without appeal, if instructed by the Owner. Any compensation claimed by the Contractor on account of emergency work shall be determined in accordance with section D.
- F.2.7 Contractor shall comply with all Owner safety rules and regulations, if applicable. Prior to commencement of any Work, Contractor and Subcontractors shall be required to complete an Owner Contractor Safety Orientation and submit all Owner required safety plans.
- F.2.8 Contractor shall demonstrate that an employee drug testing program is in place.

F.3 CUTTING AND PATCHING

- F.3.1 If applicable, Contractor shall be responsible for coordinating all cutting, fitting, or patching of the Work to make its several parts come together properly and fit to receive or be received by work of other contractors or Subcontractors shown upon, or reasonably implied by, the Contract Documents.
- F.3.2 If applicable, Contractor shall be responsible for restoring all cut, fitted, or patched surfaces to an original condition; provided, however, that if a different condition is specified in the Contract Documents, then Contractor shall be responsible for restoring such surfaces to the condition specified in the Contract Documents.

F.4 CLEANING UP

From time to time as may be prudent or ordered by the Owner and, in any event, immediately after completion of the Work, the Contractor shall, at its own expense, clean up and remove all refuse and unused materials of any kind resulting from the Work. If Contractor fails to do so within twenty-four (24) hours after notification by the Owner the work may be

done by others and the cost charged to the Contractor and deducted from payment due the Contractor.

F.5 ENVIRONMENTAL CONTAMINATION

F.5.1. Contractor shall be held responsible for and shall indemnify, defend (with counsel of Owner's choice), and hold harmless Owner from and against any costs, expenses, damages, claims, and causes of action, or any of them, resulting from all spills, releases, discharges, leaks and disposal of environmental pollution, including storage, transportation, and handling during the performance of the Work or Contractor's obligations under the Contract which occur as a result of, or are contributed by, the negligence or actions of Contractor or its personnel, agents, or Subcontractors or any failure to perform in accordance with the Contract Documents (except to the extent otherwise void under ORS 30.140). Nothing in this section F.5.1 shall limit Contractor's responsibility for obtaining insurance coverages required under Section G.3 of the Contract, and Contractor shall take no action that would void or impair such coverages.

F.5.1.1 Contractor agrees to promptly dispose of such spills, releases, discharge or leaks to the satisfaction of Owner and regulatory agencies having jurisdiction in a manner that complies with Applicable Laws. Cleanup shall be at no cost to the Owner and shall be performed by properly qualified and, if applicable, licensed personnel.

F.5.1.2 Unless otherwise approved in the Solicitation Document, Contractor shall obtain the Owner's written consent prior to bringing onto the Project Site any (i) environmental pollutants or (ii) hazardous substances or materials, as the same or reasonably similar terms are used in any Applicable Laws. In any event, Contractor shall provide prior written notice to Owner when hazardous materials are brought on to the Project Site. The Contractor, at all times, shall:

- (a) properly handle, use and dispose of all environmental pollutants and hazardous substances or materials on the Project Site, in accordance with all Applicable Laws;
- (b) be responsible for any and all spills, releases, discharges, or leaks of (or from) environmental pollutants or hazardous substances or materials which Contractor has brought onto the Project Site; and
- (c) promptly clean up and remediate, without cost to the Owner, such spills, releases, discharges, or leaks to the Owner's satisfaction and in compliance with all Applicable Laws.

F.5.2 Contractor shall report all reportable quantity releases, as such releases are defined in Applicable Laws. Upon discovery, regardless of quantity, Contractor must verbally report all releases to the Owner in a prompt manner. A written follow-up report shall be submitted to Owner within 48 hours of the telephonic report. Such written report shall contain, as a minimum:

- (a) Description of items released (identity, quantity, manifest numbers, and any and all other documentation required by law).
- (b) Whether amount of items released is EPA/DEQ reportable, and, if so, when reported.
- (c) Exact time and location of release, including a description of the area involved.
- (d) Containment procedures initiated.

(e) Summary of communications about the release between Contractor and State, local or federal officials other than Owner. Any communication to the press will be done by Owner and Contractor will defer to Owner.

(f) Description of cleanup procedures employed or to be employed at the Project Site, including disposal location of spill residue.

(g) Personal injuries, if any, resulting from, or aggravated by, the release.

F.6 ENVIRONMENTAL CLEAN-UP

F.6.1 Unless disposition of environmental pollution is specifically a part of the Contract, or was caused by the Contractor (reference F.5 Environmental Contamination), Contractor shall immediately notify Owner of any hazardous substance(s) which Contractor discovers or encounters during performance of the Work required by the Contract. "Hazardous substance(s)" means any hazardous, toxic and radioactive materials and those substances defined as "hazardous substances," "hazardous materials," "hazardous wastes," "toxic substances," or other similar designations in any federal, state, or local law, regulation, or ordinance, including without limitation asbestos, polychlorinated biphenyl ("PCB"), or petroleum, and any substances, materials or wastes regulated by 40 CFR, Part 261 and defined as hazardous in 40 CFR S 261.3. In addition to notifying Owner of any hazardous substance(s) discovered or encountered, Contractor shall immediately cease working in any particular area of the Project where a hazardous substance(s) has been discovered or encountered if continued work in such area would present a risk or danger to the health or wellbeing of Contractor's or any Subcontractor's work force, property or the environment.

F.6.2 Upon being notified by Contractor of the presence of hazardous substance(s) on the Project Site, not brought on to the Project Site by Contractor, Owner shall arrange for the proper disposition of such hazardous substance(s).

F.7 DEMOLITION

F.7.1 For demolition tasks, if any, the Contractor shall salvage or recycle construction and demolition debris, if feasible and cost-effective.

SECTION G INDEMNITY, BONDING, AND INSURANCE

G.1 RESPONSIBILITY FOR DAMAGES / INDEMNITY

G.1.1 Contractor shall be responsible for all damage to property, injury to persons, and loss, expense, inconvenience, and delay that may be caused by, or result from, the carrying out of the Work to be done under the Contract, or from any act, omission or neglect of the Contractor, its Subcontractors, employees, guests, visitors, invitees and agents.

G.1.2 To the fullest extent permitted by law, Contractor shall indemnify, defend (with counsel approved by Owner) and hold harmless the Owner and its elected officials, officers, directors, agents, and employees (collectively "Indemnitees") from and against all liabilities, damages, losses, claims, expenses, demands and actions of any nature whatsoever which arise out of, result from or are related to: (a) any damage, injury, loss, expense, inconvenience or delay described in this Section G.1; (b) any accident or occurrence which happens or is alleged to have happened in or about the Project Site or any place where the Work is being performed, or in the vicinity of either, at any time prior to the time the Work is fully completed in all respects; (c) any failure of the Contractor to

observe or perform any duty or obligation under the Contract Documents which is to be observed or performed by the Contractor, or any breach of any agreement, representation or warranty of the Contractor contained in the Contract Documents or in any subcontract; (d) the negligent acts or omissions of the Contractor, a Subcontractor or anyone directly or indirectly employed by them or any one of them or anyone for whose acts they may be liable, regardless of whether or not such claim, damage, loss or expense is caused in part by a party indemnified hereunder (except to the extent otherwise void under ORS 30.140); and (e) any lien filed upon the Project or bond claim in connection with the Work. Such obligation shall not be construed to negate, abridge, or reduce other rights or obligations of indemnity which would otherwise exist as to a party or person described in this Section G.1.2.

G.1.3 In claims against any person or entity indemnified under Section G.1.2 by an employee of the Contractor, a Subcontractor, anyone directly or indirectly employed by them or anyone for whose acts they may be liable, the indemnification obligation under Section G.1.2 shall not be limited on amount or type of damages, compensation or benefits payable by or for the Contractor or a Subcontractor under workers' compensation acts, disability benefit acts or other employee benefit acts.

G.2 PERFORMANCE AND PAYMENT SECURITY; PUBLIC WORKS BOND

G.2.1 When the Contract Price is \$50,000 or more, the Contractor shall furnish and maintain in effect at all times during the Contract Period a performance bond in a sum equal to the Contract Price and a separate payment bond also in a sum equal to the Contract Price. Contractor shall furnish such bonds even if the Contract Price is less than the above thresholds if otherwise required by the Contract Documents.

G.2.2 Bond forms furnished by the Owner and notarized by Contractor's surety company authorized to do business in Oregon are the only acceptable forms of performance and payment security, unless otherwise specified in the Contract Documents.

G.2.3 Before execution of the Contract, the Contractor shall file with the Construction Contractors Board, and maintain in full force and effect, the separate public works bond required by Oregon Revised Statutes, Chapter 279C.830 and 279C.836, unless otherwise exempt under those provisions. The Contractor shall also include in every subcontract a provision requiring the Subcontractor to have a public works bond filed with the Construction Contractors Board before starting Work, unless otherwise exempt, and shall verify that the Subcontractor has filed a public works bond before permitting any Subcontractor to start Work.

G.3 INSURANCE

G.3.1 Primary Coverage: Insurance carried by Contractor under the Contract shall be the primary coverage. The coverages indicated are minimums unless otherwise specified in the Contract Documents.

G.3.2 Workers' Compensation: All employers, including Contractor, that employ subject workers who work under the Contract in the State of Oregon shall comply with ORS 656.017 and provide the required Workers' Compensation coverage, unless such employers are exempt under ORS 656.126. This shall include Employer's Liability Insurance with coverage limits of not less than the minimum amount required by statute for each accident. Contractors who perform the Work without the assistance or labor of any employee need not obtain such coverage if the Contractor certifies so in writing. Contractor shall ensure that each of its Subcontractors complies with these requirements. The Contractor shall require proof of such Workers' Compensation coverage by receiving and keeping on file a certificate of insurance from each

Subcontractor or anyone else directly employed by either the Contractor or its Subcontractors.

G.3.3 Builder's Risk Insurance:

G.3.3.1 Builder's Risk: During the term of the Contract, for new construction the Contractor shall obtain and keep in effect Builder's Risk insurance on an all risk forms, including earthquake and flood, for an amount equal to the full amount of the Contract, plus any changes in values due to modifications, Change Orders and loss of materials added. Such Builder's Risk shall include, in addition to earthquake and flood, theft, vandalism, mischief, collapse, transit, debris removal, and architect's fees "soft costs" associated with delay of Project due to insured peril. Any deductible shall not exceed \$50,000 for each loss, except the earthquake and flood deductible which shall not exceed 2 percent of each loss or \$50,000, whichever is greater. The deductible shall be paid by Contractor. The policy will include as loss payees Owner, the Contractor and its Subcontractors as their interests may appear.

G.3.3.2 Builder's Risk Installation Floater: For Work other than new construction, Contractor shall obtain and keep in effect during the term of the Contract, a Builder's Risk Installation Floater for coverage of the Contractor's labor, materials and equipment to be used for completion of the Work performed under the Contract. The minimum amount of coverage to be carried shall be equal to the full amount of the Contract. The policy will include as loss payees Owner, the Contractor and its Subcontractors as their interests may appear. Owner may waive this requirement at its sole and absolute discretion.

G.3.3.3 Such insurance shall be maintained until Owner has occupied the facility.

G.3.3.4 A loss insured under the Builder's Risk insurance shall be adjusted by the Owner and made payable to the Owner as loss payee. The Contractor shall pay Subcontractors their just shares of insurance proceeds received by the Contractor, and by appropriate agreements, written where legally required for validity, shall require Subcontractors to make payments to their Sub-subcontractors in similar manner. The Owner shall have power to adjust and settle a loss with insurers.

G.3.4 General Liability Insurance:

G.3.4.1 Commercial General Liability: Upon execution of a Contract, Contractor shall obtain, and keep in effect at Contractor's expense for the term of the Contract, Commercial General Liability Insurance ("CGL") covering bodily injury and property damage in the amount of not less than \$1,000,000 per claim and \$2,000,000 per occurrence in a form satisfactory to Owner. This insurance shall include personal injury liability, products and completed operations, and contractual liability coverage for the indemnities provided under the Contract (to the extent contractual liability coverage for the indemnity is available in the marketplace), and shall be issued on an occurrence basis written on ISO Form GC 00 01 (12 04 or later) or an equivalent form approved in advance by Owner. The CGL shall provide separation of insured language. The policy or policies obtained by Contractor for purposes of fulfilling the requirements of this section shall be primary insurance with respect to the Owner. Any insurance or self-insurance maintained by the County shall be excess and shall not contribute to it.

G.3.4.2 Automobile Liability: Contractor shall obtain, at Contractor's expense, and keep in effect during the term of the Contract, Automobile Liability Insurance covering owned, and/or hired vehicles, as applicable. The coverage may be written in combination with the Commercial General Liability Insurance. Contractor shall provide proof of insurance of not less than \$1,000,000 per claim and \$2,000,000 per occurrence. Contractor

and its Subcontractors shall be responsible for ensuring that all non-owned vehicles maintain adequate Automobile Liability insurance while on Project Site.

- G.3.4.3 Owner may adjust the insurance amounts required in Section G.3.4.1 and G.3.4.2 based upon institution specific risk assessments through the issuance of Supplemental General Conditions and a Contract.
- G.3.4.4 To the extent that the Contract Documents require the Contractor to provide professional design services, design-build, or certifications related to systems, materials, or equipment, the Contractor shall (1) purchase and maintain professional liability/errors-and-omissions insurance with limits of not less than \$1,000,000 for each claim and \$2,000,000 general annual aggregate and (2) cause those Subcontractors (of any tier) who are providing professional design services including any design-build services to procure and maintain professional liability/errors-and-omissions insurance with limits of not less than \$1,000,000 for each claim and \$2,000,000 general annual aggregate. This policy shall be for the protection of the Owner, its elected officials, officers, agents and employees against liability for damages because of personal injury, bodily injury, death, or damage to property, including loss of use thereof, and damages because of negligent acts, errors and omissions in any way related to the Contract. The Owner, at its option, may require a complete copy of the above policy.
- G.3.4.5 "Tail" Coverage: If any of the required liability insurance is arranged on a "claims made" basis, "tail" coverage will be required at the completion of the Contract for a duration of 36 months or the maximum time period available in the marketplace if less than 36 months. Contractor shall furnish certification of "tail" coverage as described or continuous "claims made" liability coverage for 36 months following Final Completion. Continuous "claims made" coverage will be acceptable in lieu of "tail" coverage, provided its retroactive date is on or before the effective date of the Contract. Owner's receipt of the policy endorsement evidencing such coverage shall be a condition precedent to Owner's obligation to make final payment and to Owner's final acceptance of Work or services and related warranty (if any).
- G.3.4.6 Umbrella Liability (if required by Owner through issuance of Supplemental General Conditions): Contractor shall obtain, at Contractor's expense, and keep in effect during the term of the Contract, Umbrella liability Insurance over and above the general liability, automobile liability and workers' compensation coverage if required by Owner in specified limits at time of requirement.
- G.3.4.7 Pollution Liability may be required by Owner through issuance of Supplemental General Conditions.
- G.3.5 Additional Insured: The general liability insurance coverage, automobile liability, umbrella, and pollution liability if required, shall include the Owner as additional insureds but only with respect to the Contractor's activities to be performed under the Contract. The additional-insured endorsement for CGL insurance must be written on ISO Form CG 20 10 (10 01) and CG 20 37 (10 01), or their equivalent, but shall not use either of the following forms: CG 20 10 (10 93) or CG 20 10 (03 94). Proof of insurance must include a copy of the endorsement showing "Clackamas County, its elected officials, agents, officers, and employees" as scheduled insureds.

If Contractor cannot obtain an insurer to name the Owner as additional insureds, Contractor shall obtain at Contractor's expense, and keep in effect during the term of the Contract, Owners and Contractors Protective Liability Insurance, naming the Owner as additional insureds with not less than a \$2,000,000

limit per occurrence. This policy must be kept in effect for 36 months following Final Completion. As evidence of coverage, Contractor shall furnish the actual policy to Owner prior to execution of the Contract.

- G.3.6 Notice of Cancellation or Change: If the Contractor receives a non-renewal or cancellation notice from an insurance carrier affording coverage required herein, or receives notice that coverage no longer complies with the insurance requirements herein, Contractor agrees to notify Owner by fax within five (5) business days with a copy of the non-renewal or cancellation notice, or written specifics as to which coverage is no longer in compliance. When notified by Owner, the Contractor agrees to stop Work pursuant to the Contract at Contractor's expense, unless all required insurance remain in effect. Any failure to comply with the reporting provisions of this insurance, except for the potential exhaustion of aggregate limits, shall not affect the coverages provided to the Owner and its institutions, divisions, officers, and employees.
- Owner shall have the right, but not the obligation, of prohibiting Contractor from entering the Project Site until a new certificate(s) of insurance is provided to Owner evidencing the replacement coverage. The Contractor agrees that Owner reserves the right to withhold payment to Contractor until evidence of reinstated or replacement coverage is provided to Owner.
- G.3.7 Certificate(s) of Insurance/Insurance Carrier Qualification: As evidence of the insurance coverage required by the Contract, the Contractor shall furnish certificate(s) of insurance to the Owner prior to execution of the Contract. The certificate(s) will specify all of the parties who are additional insureds or loss payees for the Contract. A renewal certificate shall be sent to Owner at least 10 days prior to coverage expiration. Insurance coverage required under the Contract shall be obtained from insurance companies or entities acceptable to the Owner and that are eligible to provide such insurance under Oregon law. Eligible insurers include admitted insurers that have been issued a certificate of authority from the Oregon Department of Consumer and Business Services authorizing them to conduct an insurance business and issue policies of insurance in the state of Oregon, and certain non-admitted surplus lines insurers that satisfy the requirements of applicable Oregon law and which are subject to approval by the Owner. The Contractor shall be financially responsible for all deductibles, self-insured retentions and/or self-insurance included hereunder. Any deductible, self-insured retention and/or self-insurance in excess of \$50,000 shall be subject to approval by the Owner in writing and shall be a condition precedent to the effectiveness of any Contract.

SECTION H SCHEDULE OF WORK

H.1 CONTRACT PERIOD

- H.1.1 Time is of the essence. The Contractor shall at all times carry on the Work diligently, without delay and punctually fulfill all requirements herein.
- H.1.2 Notice to Proceed. Unless otherwise directed in the Contract Documents, Contractor shall commence Work on the Project Site within fifteen (15) Days of the Notice to Proceed. Notwithstanding the Notice to Proceed, Contractor shall not be authorized to proceed with the Work until all initial Contract requirements, including the Contract, performance bond and payment bond, and certificates of insurance, have been fully executed and submitted in a form acceptable to Owner.
- H.1.3 Unless otherwise not required in the Construction Documents, Contractor shall participate in a pre-construction conference with the Owner's representative and designated design team. The

purpose of this pre-construction conference is to review the Contractor's proposed Schedule of Values and to review any other Project logistics to be coordinated between the parties.

H.1.4 Unless specifically extended by a Change Order, all Work shall be complete by the date contained in the Contract Documents. The Owner shall have the right to accelerate the completion date of the Work, which may require the use of overtime. Such accelerated Work schedule shall be an acceleration in performance of Work under Section D.1.2(f) and shall be subject to the provisions of Section D.1.

H.1.5 The Owner shall not waive any rights under the Contract by permitting the Contractor to continue or complete in whole or in part the Work after the date described in Section H.1.2 above.

H.2 SCHEDULE

H.2.1 Contractor shall provide, by or before the pre-construction conference, the initial as-planned schedule for review and acceptance by the Owner. The submitted schedule must illustrate Work by Project components, labor trades, and long lead items broken down by building and/or floor where applicable. If Owner shall so elect, Contractor shall provide the schedule in CPM format showing the graphical network of planned activities, including i) a reasonably detailed list of all activities required to complete the Work; ii) the time and duration that each activity will take to completion; and iii) the dependencies between the activities. Schedules lacking adequate detail, or unreasonably detailed, will be rejected. The schedule shall include the following: Notice to Proceed or the date the Work commences, if no Notice to Proceed is issued by Owner, Substantial Completion, and Final Completion. Schedules shall be updated monthly, unless otherwise required by the Contract Documents, and submitted with the monthly application for payment. Acceptance of the Schedule by the Owner does not constitute agreement by the Owner as to the Contractor's sequencing, means, methods, or durations. Any positive difference between the Contractor's scheduled completion and the Contract completion date is float owned by the Owner. Owner reserves the right to negotiate the float if it is deemed to be in Owner's best interest to do so. In no case shall the Contractor make a claim for delays if the Work is completed within the Contract Time but after Contractor's scheduled completion.

H.2.2 All Work shall be completed during normal weekdays (Monday through Friday) between the hours of 7:00 a.m. and 5:00 p.m. unless otherwise specified in the Contract Documents. Unless otherwise specified in the Contract Documents, no Work shall be performed during the following holidays:

- New Year's Day
- Martin Luther King Day
- Memorial Day
- Independence Day
- Labor Day
- Veterans Day
- Thanksgiving Day
- Christmas Day
- President's Day

When a holiday falls on a Sunday, the following Monday shall be recognized as a legal holiday. When a holiday falls on Saturday, the preceding Friday shall be recognized as a legal holiday.

H.3 PARTIAL OCCUPANCY OR USE

The Owner may occupy or use any completed or partially completed portion of the Work at any stage, provided such occupancy or use is consented to by public authorities having

jurisdiction over the Work. Such partial occupancy or use may commence whether or not the portion is substantially complete, provided the Owner and Contractor have reasonably accepted in writing the responsibilities assigned to each of them. Approval by the Contractor to partial occupancy or use shall not be unreasonably withheld. Immediately prior to such partial occupancy or use, the Owner and Contractor shall jointly inspect the area to be occupied or portion of the Work to be used in order to determine and record the condition of the Work. Partial occupancy or use of a portion or portions of the Work shall not constitute acceptance of Work not complying with the requirements of the Contract Documents.

SECTION I CORRECTION OF WORK

I.1 CORRECTION OF WORK BEFORE FINAL PAYMENT

The Contractor warrants to the Owner that materials and equipment furnished under the Contract will be of good quality and new unless otherwise required or permitted by the Contract Documents, that the Work will be free from defects, and that the Work will conform to the requirements of the Contract Documents. Work failing to conform to these requirements shall be deemed defective. Contractor shall promptly remove from the premises and replace all defective materials and equipment as determined by the Owner, whether incorporated in the Work or not. Removal and replacement shall be without loss or expense to the Owner, and Contractor shall bear the cost of repairing all Work destroyed or damaged by such removal or replacement. Contractor shall be allowed a period of no longer than thirty (30) Days after Substantial Completion for completion of defective (Punch List) work. At the end of the thirty-day period, or earlier if requested by the Contractor, Owner shall arrange for inspection of the Work by the Architect/Engineer. Should the work not be complete, and all corrections made, the costs for all subsequent reinspections shall be borne by the Contractor. If Contractor fails to complete the Punch List work within the thirty (30) Day period, Owner may perform such work and Contractor shall reimburse Owner all costs of the same within ten (10) Days after demand without affecting Contractor's obligations.

I.2 WARRANTY WORK

I.2.1 Neither the final certificate of payment nor any provision of the Contract Documents shall relieve the Contractor from responsibility for Defective Work and, unless a longer period is specified, Contractor shall correct all defects that appear in the Work within a period of one year from the date of issuance of the written notice of Substantial Completion by the Owner except for latent defects which will be remedied by the Contractor at any time they become apparent. The Owner shall give Contractor notice of defects with reasonable promptness. Contractor shall perform such warranty work within a reasonable time after Owner's demand and at Contractor's sole expense. If Contractor fails to complete the warranty work within such period as Owner determines reasonable, or at any time in the event of warranty work consisting of emergency repairs, Owner may perform such work and Contractor shall reimburse Owner all costs of the same within ten (10) Days after demand, without affecting Contractor's obligations. The Contractor shall perform the warranty Work by correcting defects within twenty-four (24) hours of notification by Owner, unless otherwise specified in the Contract Documents. Should the Contractor fail to respond within the specified response time, the Owner may, at its option, complete the necessary repairs using another contractor or its agents. If Owner completes the repairs using Owner's agent, Contractor shall pay Owner at the rate of one and one-half (1½) times the standard hourly rate of Owner's agent, plus related overhead and any direct non-salary costs. If Owner completes the repairs using another contractor, Contractor shall pay Owner the amount of Owner's direct costs billed by the other contractor for the work, plus the direct salary costs and related overhead and direct non-salary expenses of Owner's agents who

are required to monitor that contractor's work. Work performed by Owner using Owner's own agents or those of another contractor shall not affect the Contractor's contractual duties under these provisions, including warranty provisions.

- I.2.2 Nothing in this Section I.2 provision shall negate guarantees or warranties for periods longer than one year including without limitation, such guarantees or warranties required by other sections of the Contract Documents for specific installations, materials, processes, equipment or fixtures.
- I.2.3 In addition to Contractor's warranty, manufacturer's warranties shall pass to the Owner and shall not take effect until such portion of the Work covered by the applicable warranty has been accepted in writing by the Owner.
- I.2.4 The one-year period for correction of Work shall be extended with respect to portions of Work performed after Substantial Completion by the period of time between Substantial Completion and the actual performance of the Work, and shall be extended by corrective Work performed by the Contractor pursuant to this Section, as to the Work corrected. The Contractor shall remove from the Project Site portions of the Work which are not in accordance with the requirements of the Contract Documents and are neither corrected by the Contractor nor accepted by the Owner.
- I.2.5 Nothing contained in this Section I.2 shall be construed to establish a period of limitation with respect to other obligations which the Contractor might have under the Contract Documents. Establishment of the period for correction of Work as described in this Section I.2 relates only to the specific obligation of the Contractor to correct the Work, and has no relationship to the time within which the obligation to comply with the Contract Documents may be sought to be enforced, nor to the time within which proceedings may be commenced to establish the Contractor's liability with respect to the Contractor's obligations other than specifically to correct the Work.
- I.2.6 If the Owner prefers to accept Work which is not in accordance with the requirements of the Contract Documents, the Owner may do so instead of requiring its removal and correction, in which case the Contract Price will be reduced as appropriate and equitable as determined by Owner. Such adjustment shall be effected whether or not final payment has been made.

SECTION J

SUSPENSION AND/OR TERMINATION OF THE WORK

J.1 OWNER'S RIGHT TO SUSPEND THE WORK

- J.1.1 The Owner has the authority to suspend portions or all of the Work due to the following causes:
 - (a) Failure of the Contractor to correct unsafe conditions;
 - (b) Failure of the Contractor to carry out any provision of the Contract;
 - (c) Failure of the Contractor to carry out orders;
 - (d) Conditions, in the opinion of the Owner, which are unsuitable for performing the Work;
 - (e) Time required to investigate differing Project Site conditions; or
 - (f) Any reason considered to be in the public interest.
- J.1.2 The Owner shall notify Contractor and the Contractor's Surety in writing of the effective date and time of the suspension, and Owner shall notify Contractor and Contractor's surety in writing to resume Work.

J.2 CONTRACTOR'S RESPONSIBILITIES

- J.2.1 During the period of the suspension, Contractor is responsible to continue maintenance at the Project just as if the Work were in progress. This includes, but is not limited to, protection of completed Work, maintenance of access, protection of stored materials, temporary facilities, and clean-up.
- J.2.2 When the Work is recommenced after the suspension, the Contractor shall replace or renew any Work damaged during the suspension, remove any materials or facilities used as part of temporary maintenance, and complete the Work in every respect as though its prosecution had been continuous and without suspension.

J.3 COMPENSATION FOR SUSPENSION

Depending on the reason for suspension of the Work, the Contractor or the Owner may be due compensation by the other party. If the suspension was required due to acts or omissions of Contractor, the Owner may assess the Contractor actual costs of the suspension in terms of administration, remedial work by the Owner's agents or another contractor to correct the problem associated with the suspension, rent of temporary facilities, and other actual costs related to the suspension, and any liquidated damages arising from the delay. If the suspension was caused by acts or omissions of the Owner, the Contractor may be due compensation which shall be defined using Section D, Changes in Work. If the suspension was required through no fault of the Contractor or the Owner, neither party shall owe the other for the impact.

J.4 OWNER'S RIGHT TO TERMINATE CONTRACT

- J.4.1 The Owner may, without prejudice to any other right or remedy, and after giving Contractor seven (7) Days' written notice and an opportunity to cure, terminate the Contract in whole or in part under the following conditions:
 - (a) If Contractor should, voluntarily or involuntarily, seek protection under the United States Bankruptcy Code and Contractor as debtor-in-possession or the Trustee for the estate fails to assume the Contract within a reasonable time;
 - (b) If Contractor should make a general assignment for the benefit of Contractor's creditors;
 - (c) If a receiver should be appointed on account of Contractor's insolvency;
 - (d) If Contractor should repeatedly refuse or fail to supply an adequate number of skilled workers or proper materials to carry on the Work as required by the Contract Documents, or otherwise fail to perform the Work in a timely manner;
 - (e) If Contractor should repeatedly fail to make prompt payment to Subcontractors or for material or labor, or should disregard laws, ordinances or the instructions of the Owner;
 - (f) If Contractor is otherwise in breach of any part of the Contract; or
 - (g) If Contractor is in violation of Applicable Laws, either in the conduct of its business or in its performance of the Work.
- J.4.2 At any time that any of the above occurs, Owner may exercise all rights and remedies available to Owner at law or in equity, and, in addition, Owner may take possession of the premises and of all materials and appliances and finish the Work by whatever method it may deem expedient. In such case, the Contractor shall not be entitled to receive further payment until the Work is completed. If

the Owner's cost of finishing the Work exceeds the unpaid balance of the Contract Price, Contractor shall pay the difference to the Owner.

J.5 TERMINATION FOR CONVENIENCE, NON-APPROPRIATION OF FUNDS, OR FORCE MAJEURE

- J.5.1 Owner may terminate the Contract in whole or in part whenever Owner determines: (a) that termination of the Contract is in the best interest of Owner or the public; (b) that the Owner failed to receive funding, appropriations, allocations or other expenditure authority as contemplated by Owner's budget and Owner determines, in its sole determination, and its assessment and ranking of the policy objectives explicit or implicit in Owner's budget, Owner may determine it is necessary to and may terminate the Contract.; or (c) in the event of Force Majeure.
- J.5.2 The Owner shall provide the Contractor with seven (7) Days prior written notice of a termination for Owner's or for public convenience. After such notice, the Contractor shall provide the Owner with immediate and peaceful possession of the premises and materials located on and off the premises for which the Contractor received progress payment under Section E. Compensation for Work terminated by the Owner under this provision will be according to Section E. In no circumstance shall Contractor be entitled to lost profits for Work not performed due to termination. If the Contract is terminated for public convenience, neither the Contractor nor its Surety shall be relieved of liability for damages or losses suffered by the Owner as a result of defective, unacceptable or unauthorized Work completed or performed.

J.6 ACTION UPON TERMINATION

- J.6.1 Upon receiving a notice of termination, and except as directed otherwise by the Owner, Contractor shall immediately cease placing further subcontracts or orders for materials, services, or facilities. In addition, Contractor shall terminate all subcontracts or orders to the extent they relate to the Work terminated and, with the prior written approval of the Owner, settle all outstanding liabilities and termination settlement proposals arising from the termination of subcontracts and orders.
- J.6.2 As directed by the Owner, Contractor shall, upon termination, transfer title and deliver to the Owner all Record Documents, information, and other property that, if the Contract had been completed, would have been required to be furnished to the Owner.
- J.6.3 Upon Owner's notice of termination pursuant to either Section J.4 or J.5, if Owner shall so elect, Contractor shall assign to the Owner such subcontracts and orders as Owner shall specify. In the event Owner elects to take assignment of any such subcontract or order, Contractor shall take such action and shall execute such documents as Owner shall reasonably require for the effectiveness of such assignment and Contractor shall ensure that no contractual arrangement between it and its subcontractors or suppliers of any tier or sub-tier shall prevent such assignment.

SECTION K CONTRACT CLOSE OUT

K.1 RECORD DOCUMENTS

As a condition of final payment (refer also to section E.6), Contractor shall comply with the following: Contractor shall provide Record Documents for the entire Project to Owner. Record Documents shall depict the Project as constructed and shall reflect each and every change, modification, and deletion made during the construction. Record Documents are part of the Work and shall be provided prior to the Owner's issuance of final payment. Record Documents include all modifications to the Contract Documents unless otherwise directed.

K.2 OPERATION AND MAINTENANCE MANUALS

As part of the Work, Contractor shall submit two completed operation and maintenance manuals ("O & M Manuals") for review by the Owner prior to submission of any pay request for more than 75% of the Work. Owner's receipt of the O & M Manuals shall be a condition precedent to any payment thereafter due. The O & M Manuals shall contain a complete set of all submittals, all product data as required by the specifications, training information, telephone list and contact information for all consultants, manufacturers, installer and suppliers, manufacturer's printed data, record and shop drawings, schematic diagrams of systems, appropriate equipment indices, warranties and bonds. The Owner shall review and return one O & M Manual for any modifications or adjustments required. Prior to submission of its final pay request, Contractor shall deliver two (2) complete and approved sets of O & M Manuals in paper form and one (1) complete and approved set in electronic form to the Owner and Owner's receipt of the O & M Manuals shall be a condition precedent to Owner's obligation to make final payment.

K.3 COMPLETION NOTICES

- K.3.1 Contractor shall provide Owner written notice of both Substantial and Final Completion. The certificate of Substantial Completion shall state the date of Substantial Completion, the responsibilities of the Owner and Contractor for security, maintenance, heat, utilities, damage to the Work and insurance, and the time within which the Contractor shall finish all items on the Punch List accompanying the Certificate. Both completion notices must be signed and notarized by the Contractor and signed by the Architect/Engineer (if applicable) and Owner to be valid. The Owner shall provide the final signature on the notices. The notices shall take effect on the date they are signed by the Owner.
- K.3.2 Substantial Completion of a facility with operating systems (e.g., mechanical, electrical, HVAC) shall be that degree of completion that has provided a minimum of thirty (30) continuous Days of successful, trouble-free operation, which period shall begin after all performance and acceptance testing has been successfully demonstrated to the Owner. All equipment contained in the Work, plus all other components necessary to enable the Owner to operate the facility in the manner that was intended, shall be complete on the Substantial Completion date. The Contractor may request that a Punch List be prepared by the Owner with submission of the request for the Substantial Completion notice.

K.4 TRAINING

As part of the Work, and prior to submission of the final application for payment, the Contractor shall schedule with the Owner training sessions for all equipment and systems as required by the Contract Documents. Contractor shall schedule training sessions at least two weeks in advance of the date of training to allow Owner to provide its personnel with adequate notice. If assignments arise because of termination under Section J.4, then such assignments shall not relieve Contractor of liability hereunder. The O & M Manual shall be used as a basis for training. In addition to any off-Project Site training required by the Contract Documents, training shall include a formal session conducted at the Project Site after the equipment and/or system is completely installed and operational in its normal operating environment.

K.5 EXTRA MATERIALS

As part of the Work, Contractor shall provide spare parts, extra maintenance materials, and other materials or products in the quantities specified in the Contract Documents prior to final payment. Delivery point for extra materials shall be designated by the Owner.

K.6 ENVIRONMENTAL CLEAN-UP

As part of the Final Completion notice, or as a separate written notice submitted with or before the notice of Final Completion, the Contractor shall notify the Owner that all environmental and pollution clean-up, remediation and closure have been completed in accordance with all Applicable Laws and pursuant to the authority of all agencies having jurisdiction, and Contractor shall provide Owner with any and all documentation related to the same, including but not limited to directives, orders, letters, certificates and permits related to or arising from such environmental pollution. The notice shall reaffirm the indemnification given under Section F.5.1 above. Contractor's completion of its obligations under this Section K.6 and Owner's receipt of documents evidencing such completion shall be a condition precedent to Owner's obligation to make final payment.

K.7 CERTIFICATE OF OCCUPANCY

Owner's receipt of an unconditioned certificate of occupancy from the appropriate state and/or local building officials shall be a condition precedent to Owner's obligation to make final payment, except to the extent failure to obtain an unconditional certificate of occupancy is due to the fault or neglect of Owner.

K.8 OTHER CONTRACTOR RESPONSIBILITIES

The Contractor shall be responsible for returning to the Owner all property of Owner issued to Contractor during construction such as keys, security passes, Project Site admittance badges, and all other pertinent items. Upon notice from Owner, Contractor shall be responsible for notifying the appropriate utility companies to transfer utility charges from the Contractor to the Owner. The utility transfer date shall not be before Substantial Completion and may not be until Final Completion, if the Owner does not take beneficial use of the facility and the Contractor's agents continue with the Work.

The Owner's property is drug free and weapons free areas and the use of tobacco products is only allowed in designated areas. Contractor shall be required to ensure that its employees, Subcontractors and agents shall comply with these requirements.

SECTION L GENERAL PROVISIONS

L.1 NO THIRD PARTY BENEFICIARIES

Owner and Contractor are the only parties to the Contract and are the only parties entitled to enforce its terms. Nothing in the Contract gives, is intended to give, or shall be construed to give or provide any benefit or right, whether directly, indirectly, or otherwise, to third persons unless such third persons are individually identified by name herein and expressly described as intended beneficiaries of the terms of the Contract.

L.2 SEVERABILITY

If any provision of the Contract is declared by a court to be unenforceable, illegal, or in conflict with any law, the validity of the remaining terms and provisions shall not be affected and the rights and obligations of the parties shall be construed and enforced as if the Contract did not contain the particular provision held to be invalid.

L.3 ACCESS TO RECORDS

L.3.1 Contractor shall keep, at all times on the Project Site, one record copy of the complete Contract Documents, including the Plans, Specifications, addenda, and Change Orders (if any) in good order and marked currently to record field changes and selections made during construction, and one record copy of Shop Drawings, Product Data, Samples and similar submittals, and shall at all times give the Owner access thereto.

L.3.2 Contractor shall retain and the Owner and its duly authorized representatives shall have access, for a period not less than ten (10)

years, to all Record Documents, financial and accounting records, and other books, documents, papers and records of Contractor which are pertinent to the Contract, including records pertaining to Overhead and indirect costs, for the purpose of making audit, examination, excerpts and transcripts. If for any reason, any part of the Work or the Contract shall be subject to litigation, Contractor shall retain all such records until all litigation is resolved and Contractor shall continue to provide Owner and/or its agents with full access to such records until such time as all litigation is complete and all periods for appeal have expired and full and final satisfaction of any judgment, order or decree is recorded and Owner receives a record copy of documentation from Contractor.

L.4 WAIVER

Failure of the Owner to enforce any provision of the Contract shall not constitute a waiver or relinquishment by the Owner of the right to such performance in the future nor of the right to enforce any other provision of the Contract.

L.5 SUCCESSORS IN INTEREST

The provisions of the Contract shall be binding upon and shall accrue to the benefit of the parties to the Contract and their respective permitted successors and assigns.

L.6 GOVERNING LAW

The Contract shall be governed by and construed in accordance with the laws of the State of Oregon without giving effect to the conflict of law provisions thereof.

L.7 APPLICABLE LAW

Contractor hereto agrees to comply in all ways with applicable local, state and federal ordinances, statutes, laws and regulations.

L.8 NON-EXCLUSIVE RIGHTS AND REMEDIES

Except as otherwise expressly provided herein, the rights and remedies expressly afforded under the provisions of the Contract shall not be deemed exclusive, and shall be in addition to and cumulative with any and all rights and remedies otherwise available at law or in equity. The exercise by either Party of any one or more of such remedies shall not preclude the exercise by it, at the same or different times, of any other remedies for the same default or breach, or for any other default or breach, by the other Party.

L.9 INTERPRETATION

The titles of the sections of the Contract are inserted for convenience of reference only and shall be disregarded in construing or interpreting any of its provisions.

L.10 DEBT LIMITATION

The Contract is expressly subject to the debt limitation of Oregon counties set forth in Article XI, Section 10, of the Oregon Constitution, and is contingent upon funds being appropriated therefore. Any provisions herein which would conflict with law are deemed inoperative to that extent.

L.11 LITIGATION

Any Claim between Owner and Contractor that arises from or relates to the Contract and that is not resolved through the Claims Review Process in Section D.3 shall be brought and conducted solely and exclusively within the Circuit Court of Clackamas County for the State of Oregon; provided, however, if a Claim must be brought in a federal forum, then it shall be brought and conducted solely and exclusively within the United States District Court for the District of Oregon. In no event shall this section be construed as a waiver by the County of any form of defense or

immunity, whether sovereign immunity, governmental immunity, immunity based on the Eleventh Amendment to the Constitution of the United States or otherwise, from any claim or from the jurisdiction of any court. CONTRACTOR, BY EXECUTION OF THE CONTRACT, HEREBY CONSENTS TO THE IN PERSONAM JURISDICTION OF THE COURTS REFERENCED IN THIS SECTION.

L. 12 SURVIVAL

All warranty, indemnification, and record retention provisions of the Contract, and all of Contractor's other obligations under the Contract that are not fully performed by the time of Final Completion or termination, and all other rights and obligations which by their context are intended to survive, shall survive Final Completion or any termination of the Contract.

L.13 ACCESS TO RECORDS

L.13.1. Contractor shall keep, at all times on the Work site, one record copy of the complete Contract Documents, including the Plans, Specifications, Construction Change Directives and addenda, in good order and marked currently to record field changes and selections made during construction, and one copy of Shop Drawings, Project Data, Samples and similar submittals, and shall at all times give the Owner access thereto.

L.13.2 Contractor shall retain and the Owner and its duly authorized representatives shall have access, for a period not less than ten (10) years, to all Record Documents, financial and accounting records, and other books, documents, papers and records of Contractor which are pertinent to the Contract, including records pertaining to Overhead and indirect costs, for the purpose of making audit, examination, excerpts and transcripts. If for any reason, any part of the Work or this Contract shall be subject to litigation, Contractor shall retain all such records until all litigation is resolved and Contractor shall continue to provide Owner and/or its agents with full access to such records until such time as all litigation is complete and all periods for appeal have expired and full and final satisfaction of any judgment, order or decree is recorded and Owner receives a record copy of documentation from Contractor.

L.14 WAIVER

Failure of the Owner to enforce any provision of this Contract shall not constitute a waiver or relinquishment by the Owner of the right to such performance in the future nor of the right to enforce any other provision of this Contract.

L. 15 NO ATTORNEY FEES.

In the event any arbitration, action or proceeding, including any bankruptcy proceeding, is instituted to enforce any term of this Contract, each party shall be responsible for its own attorneys' fees and expenses.



CLACKAMAS COUNTY
PUBLIC IMPROVEMENT CONTRACT

PERFORMANCE BOND

Bond No.: 107125579

Solicitation: #2024-35

Project Name: CBX Marmot Project

Table with 2 columns: Surety information and Bond Amount. Rows include Travelers Casualty and Surety Company of America (Surety #1), (Surety #2)*, and Total Penal Sum of Bond.

* If using multiple sureties

We, North Sky Communications, LLC as Principal, and the above identified Surety(ies), authorized to transact surety business in Oregon, as Surety, hereby jointly and severally bind ourselves, our respective heirs, executors, administrators, successors and assigns firmly by these presents to pay unto Clackamas County, the sum of (Total Penal Sum of Bond) Two million four hundred ninety one thousand nine hundred & 00/100 (Provided, that we the Sureties bind ourselves in such sum "jointly and severally" as well as "severally" only for the purpose of allowing a joint action or actions against any or all of us, and for all other purposes each Surety binds itself, jointly and severally with the Principal, for the payment of such sum only as is set forth opposite the name of such Surety); and

WHEREAS, the Principal has entered into a contract with Clackamas County, along with the plans, specifications, terms and conditions of which are contained in the above-referenced Solicitation; and

WHEREAS, the terms and conditions of the contract, together with applicable plans, standard specifications, special provisions, schedule of performance, and schedule of contract prices, are made a part of this Performance Bond by reference, whether or not attached to the contract (all hereafter called "Contract"); and

WHEREAS, the Principal has agreed to perform the Contract in accordance with the terms, conditions, requirements, plans and specifications, and all authorized modifications of the Contract which increase the amount of the work, the amount of the Contract, or constitute an authorized extension of the time for performance, notice of any such modifications hereby being waived by the Surety:

NOW, THEREFORE, THE CONDITION OF THIS BOND IS SUCH that if the Principal herein shall faithfully and truly observe and comply with the terms, conditions and provisions of the Contract, in all respects, and shall well and truly and fully do and perform all matters and things undertaken by Contractor to be performed under the Contract, upon the terms set forth therein, and within the time prescribed therein, or as extended as provided in the Contract, with or without notice to the Sureties, and shall defend, indemnify, and save harmless Clackamas County and its elected officials, officers, employees and agents, against any direct or indirect damages or claim of every kind and description that shall be suffered or claimed to be suffered in connection with or

arising out of the performance of the Contract by the Principal or its subcontractors, and shall in all respects perform said contract according to law, then this obligation is to be void; otherwise, it shall remain in full force and effect for so long as any term of the Contract remains in effect.

Nonpayment of the bond premium will not invalidate this bond nor shall Clackamas County, be obligated for the payment of any premiums.

This bond is given and received under authority of Oregon Revised Statutes Chapter 279C and the Clackamas County Local Contractor Review Board Rules, the provisions of which hereby are incorporated into this bond and made a part hereof.

IN WITNESS WHEREOF, WE HAVE CAUSED THIS INSTRUMENT TO BE EXECUTED AND SEALED BY OUR DULY AUTHORIZED LEGAL REPRESENTATIVES.

Dated this 18th day of November, 2024.

PRINCIPAL: North Sky Communications, LLC

By: *Robby L. Thomas*
Signature

President
Official Capacity

Attest: *pm Hrozo*
Accounting Mgr ~~Corporation Secretary~~

Travelers Casualty and Surety

SURETY: Company of America
[Add signatures for each if using multiple bonds]

BY ATTORNEY-IN-FACT:
[Power-of-Attorney must accompany each bond]

Ana W Oliveras, Attorney-in-Fact

Ana W. Oliveras
Name
Signature

One Tower Square
Address

Hartford CT 06183
City State Zip

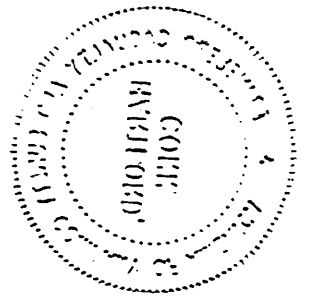
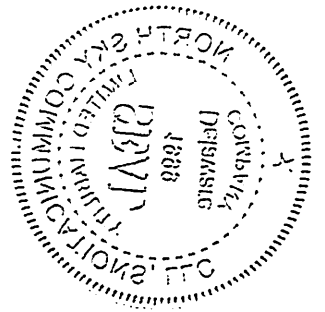
800-842-2522
Phone

Fax

Faint, illegible text at the top of the page, possibly a header or introductory paragraph.

Second section of faint, illegible text in the middle of the page.

Third section of faint, illegible text at the bottom of the page.





**Travelers Casualty and Surety Company of America
Travelers Casualty and Surety Company
St. Paul Fire and Marine Insurance Company**

POWER OF ATTORNEY

KNOW ALL MEN BY THESE PRESENTS: That Travelers Casualty and Surety Company of America, Travelers Casualty and Surety Company, and St. Paul Fire and Marine Insurance Company are corporations duly organized under the laws of the State of Connecticut (herein collectively called the "Companies"), and that the Companies do hereby make, constitute and appoint Ana W. Oliveras of Palm Beach, Florida, their true and lawful Attorney(s)-in-Fact to sign, execute, seal and acknowledge any and all bonds, recognizances, conditional undertakings and other writings obligatory in the nature thereof on behalf of the Companies in their business of guaranteeing the fidelity of persons, guaranteeing the performance of contracts and executing or guaranteeing bonds and undertakings required or permitted in any actions or proceedings allowed by law.

IN WITNESS WHEREOF, the Companies have caused this instrument to be signed, and their corporate seals to be hereto affixed, this 21st day of April, 2021.



State of Connecticut

By:
Robert L. Raney, Senior Vice President

City of Hartford ss.

On this the 21st day of April, 2021, before me personally appeared Robert L. Raney, who acknowledged himself to be the Senior Vice President of each of the Companies, and that he, as such, being authorized so to do, executed the foregoing instrument for the purposes therein contained by signing on behalf of said Companies by himself as a duly authorized officer.

IN WITNESS WHEREOF, I hereunto set my hand and official seal.

My Commission expires the 30th day of June, 2026



Anna P. Nowik, Notary Public

This Power of Attorney is granted under and by the authority of the following resolutions adopted by the Boards of Directors of each of the Companies, which resolutions are now in full force and effect, reading as follows:

RESOLVED, that the Chairman, the President, any Vice Chairman, any Executive Vice President, any Senior Vice President, any Vice President, any Second Vice President, the Treasurer, any Assistant Treasurer, the Corporate Secretary or any Assistant Secretary may appoint Attorneys-in-Fact and Agents to act for and on behalf of the Company and may give such appointee such authority as his or her certificate of authority may prescribe to sign with the Company's name and seal with the Company's seal bonds, recognizances, contracts of indemnity, and other writings obligatory in the nature of a bond, recognizance, or conditional undertaking, and any of said officers or the Board of Directors at any time may remove any such appointee and revoke the power given him or her; and it is

FURTHER RESOLVED, that the Chairman, the President, any Vice Chairman, any Executive Vice President, any Senior Vice President or any Vice President may delegate all or any part of the foregoing authority to one or more officers or employees of this Company, provided that each such delegation is in writing and a copy thereof is filed in the office of the Secretary; and it is

FURTHER RESOLVED, that any bond, recognizance, contract of indemnity, or writing obligatory in the nature of a bond, recognizance, or conditional undertaking shall be valid and binding upon the Company when (a) signed by the President, any Vice Chairman, any Executive Vice President, any Senior Vice President or any Vice President, any Second Vice President, the Treasurer, any Assistant Treasurer, the Corporate Secretary or any Assistant Secretary and duly attested and sealed with the Company's seal by a Secretary or Assistant Secretary; or (b) duly executed (under seal, if required) by one or more Attorneys-in-Fact and Agents pursuant to the power prescribed in his or her certificate or their certificates of authority or by one or more Company officers pursuant to a written delegation of authority; and it is

FURTHER RESOLVED, that the signature of each of the following officers: President, any Executive Vice President, any Senior Vice President, any Vice President, any Assistant Vice President, any Secretary, any Assistant Secretary, and the seal of the Company may be affixed by facsimile to any Power of Attorney or to any certificate relating thereto appointing Resident Vice Presidents, Resident Assistant Secretaries or Attorneys-in-Fact for purposes only of executing and attesting bonds and undertakings and other writings obligatory in the nature thereof, and any such Power of Attorney or certificate bearing such facsimile signature or facsimile seal shall be valid and binding upon the Company and any such power so executed and certified by such facsimile signature and facsimile seal shall be valid and binding on the Company in the future with respect to any bond or understanding to which it is attached.

I, **Kevin E. Hughes**, the undersigned, Assistant Secretary of each of the Companies, do hereby certify that the above and foregoing is a true and correct copy of the Power of Attorney executed by said Companies, which remains in full force and effect.

Dated this 18th day of November, 2024.



Kevin E. Hughes, Assistant Secretary

**To verify the authenticity of this Power of Attorney, please call us at 1-800-421-3880.
Please refer to the above-named Attorney(s)-in-Fact and the details of the bond to which this Power of Attorney is attached.**



CLACKAMAS COUNTY
PUBLIC IMPROVEMENT CONTRACT

PAYMENT BOND

Bond No.: 107125579

Solicitation: #2024-35

Project Name: CBX Marmot Project

Travelers Casualty and Surety

Company of America (Surety #1)

(Surety #2)*

Bond Amount No. 1: \$ 2,491,900.00

Bond Amount No. 2:* \$

Total Penal Sum of Bond: \$ 2,491,900.00

* If using multiple sureties

We, North Sky Communications, LLC, as Principal, and the above identified Surety(ies), authorized to transact surety business in Oregon, as Surety, hereby jointly and severally bind ourselves, our respective heirs, executors, administrators, successors and assigns firmly by these presents to pay unto Clackamas County, the sum of (Total Penal Sum of Bond) Two million four hundred ninety one thousand nine hundred & 00/100 (Provided, that we the Sureties bind ourselves in such sum "jointly and severally" as well as "severally" only for the purpose of allowing a joint action or actions against any or all of us, and for all other purposes each Surety binds itself, jointly and severally with the Principal, for the payment of such sum only as is set forth opposite the name of such Surety); and

WHEREAS, the Principal has entered into a contract with Clackamas County, along with the plans, specifications, terms and conditions of which are contained in above-referenced Solicitation; and

WHEREAS, the terms and conditions of the contract, together with applicable plans, standard specifications, special provisions, schedule of performance, and schedule of contract prices, are made a part of this Payment Bond by reference, whether or not attached to the contract (all hereafter called "Contract"); and

WHEREAS, the Principal has agreed to perform the Contract in accordance with the terms, conditions, requirements, plans and specifications, and schedule of contract prices which are set forth in the Contract and any attachments, and all authorized modifications of the Contract which increase the amount of the work, or the cost of the Contract, or constitute authorized extensions of time for performance of the Contract, notice of any such modifications hereby being waived by the Surety:

NOW, THEREFORE, THE CONDITION OF THIS BOND IS SUCH that if the Principal shall faithfully and truly observe and comply with the terms, conditions and provisions of the Contract, in all respects, and shall well and truly and fully do and perform all matters and things by it undertaken to be performed under said Contract and any duly authorized modifications that are made, upon the terms set forth therein, and within the time prescribed therein, or as extended therein as provided in the Contract, with or without notice to the Sureties, and shall defend, indemnify, and save harmless Clackamas County and its elected officials, officers, employees and agents, against any claim for direct or indirect damages of every kind and description that shall be suffered or claimed to be suffered in connection with or arising out of the performance of the Contract by the Contractor or its subcontractors, and shall promptly pay all persons supplying labor, materials or both to the Principal or its subcontractors for prosecution of the work provided in the Contract; and shall promptly pay all contributions due the State Industrial Accident Fund and the State Unemployment Compensation Fund from the Principal or its subcontractors in connection with the performance of the Contract; and shall pay over to the Oregon Department of Revenue all sums required to be deducted and retained from the wages of employees of the Principal and its subcontractors pursuant to ORS 316.167, and

shall permit no lien nor claim to be filed or prosecuted against Clackamas County on account of any labor or materials furnished; and shall do all things required of the Principal by the laws of this State, then this obligation shall be void; otherwise, it shall remain in full force and effect for so long as any term of the Contract remains in effect.

Nonpayment of the bond premium will not invalidate this bond nor shall Clackamas County be obligated for the payment of any premiums.

This bond is given and received under authority of Oregon Revised Statutes Chapter 279C and the Clackamas County Local Contractor Review Board Rules, the provisions of which hereby are incorporated into this bond and made a part hereof.

IN WITNESS WHEREOF, WE HAVE CAUSED THIS INSTRUMENT TO BE EXECUTED AND SEALED BY OUR DULY AUTHORIZED LEGAL REPRESENTATIVES:

Dated this 18th day of November, 2024.

PRINCIPAL: North Sky Communications, LLC

By: [Signature]
Signature

President
Official Capacity

Attest: [Signature]
Accounting Mgr Corporation Secretary

Travelers Casualty and Surety

SURETY: Company of America

[Add signatures for each if using multiple bonds]

BY ATTORNEY-IN-FACT:

[Power-of-Attorney must accompany each bond]

Ana W Oliveras, Attorney-in-Fact

[Signature]
Name

Signature

One Tower Square

Address

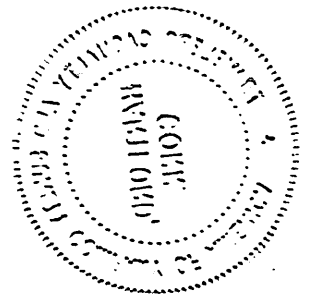
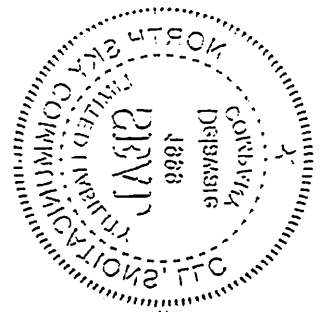
Hartford CT 06183

City State Zip

800-842-2522

Phone Fax







**Travelers Casualty and Surety Company of America
Travelers Casualty and Surety Company
St. Paul Fire and Marine Insurance Company**

POWER OF ATTORNEY

KNOW ALL MEN BY THESE PRESENTS: That Travelers Casualty and Surety Company of America, Travelers Casualty and Surety Company, and St. Paul Fire and Marine Insurance Company are corporations duly organized under the laws of the State of Connecticut (herein collectively called the "Companies"), and that the Companies do hereby make, constitute and appoint Ana W. Oliveras of Palm Beach, Florida, their true and lawful Attorney(s)-in-Fact to sign, execute, seal and acknowledge any and all bonds, recognizances, conditional undertakings and other writings obligatory in the nature thereof on behalf of the Companies in their business of guaranteeing the fidelity of persons, guaranteeing the performance of contracts and executing or guaranteeing bonds and undertakings required or permitted in any actions or proceedings allowed by law.

IN WITNESS WHEREOF, the Companies have caused this instrument to be signed, and their corporate seals to be hereto affixed, this **21st** day of **April**, **2021**.



State of Connecticut

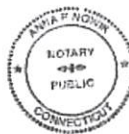
By:
Robert L. Raney, Senior Vice President

City of Hartford ss.

On this the **21st** day of **April**, **2021**, before me personally appeared **Robert L. Raney**, who acknowledged himself to be the Senior Vice President of each of the Companies, and that he, as such, being authorized so to do, executed the foregoing instrument for the purposes therein contained by signing on behalf of said Companies by himself as a duly authorized officer.

IN WITNESS WHEREOF, I hereunto set my hand and official seal.

My Commission expires the **30th** day of **June**, **2026**



Anna P. Nowik, Notary Public

This Power of Attorney is granted under and by the authority of the following resolutions adopted by the Boards of Directors of each of the Companies, which resolutions are now in full force and effect, reading as follows:

RESOLVED, that the Chairman, the President, any Vice Chairman, any Executive Vice President, any Senior Vice President, any Vice President, any Second Vice President, the Treasurer, any Assistant Treasurer, the Corporate Secretary or any Assistant Secretary may appoint Attorneys-in-Fact and Agents to act for and on behalf of the Company and may give such appointee such authority as his or her certificate of authority may prescribe to sign with the Company's name and seal with the Company's seal bonds, recognizances, contracts of indemnity, and other writings obligatory in the nature of a bond, recognizance, or conditional undertaking, and any of said officers or the Board of Directors at any time may remove any such appointee and revoke the power given him or her; and it is

FURTHER RESOLVED, that the Chairman, the President, any Vice Chairman, any Executive Vice President, any Senior Vice President or any Vice President may delegate all or any part of the foregoing authority to one or more officers or employees of this Company, provided that each such delegation is in writing and a copy thereof is filed in the office of the Secretary; and it is

FURTHER RESOLVED, that any bond, recognizance, contract of indemnity, or writing obligatory in the nature of a bond, recognizance, or conditional undertaking shall be valid and binding upon the Company when (a) signed by the President, any Vice Chairman, any Executive Vice President, any Senior Vice President or any Vice President, any Second Vice President, the Treasurer, any Assistant Treasurer, the Corporate Secretary or any Assistant Secretary and duly attested and sealed with the Company's seal by a Secretary or Assistant Secretary; or (b) duly executed (under seal, if required) by one or more Attorneys-in-Fact and Agents pursuant to the power prescribed in his or her certificate or their certificates of authority or by one or more Company officers pursuant to a written delegation of authority; and it is

FURTHER RESOLVED, that the signature of each of the following officers: President, any Executive Vice President, any Senior Vice President, any Vice President, any Assistant Vice President, any Secretary, any Assistant Secretary, and the seal of the Company may be affixed by facsimile to any Power of Attorney or to any certificate relating thereto appointing Resident Vice Presidents, Resident Assistant Secretaries or Attorneys-in-Fact for purposes only of executing and attesting bonds and undertakings and other writings obligatory in the nature thereof, and any such Power of Attorney or certificate bearing such facsimile signature or facsimile seal shall be valid and binding upon the Company and any such power so executed and certified by such facsimile signature and facsimile seal shall be valid and binding on the Company in the future with respect to any bond or understanding to which it is attached.

I, **Kevin E. Hughes**, the undersigned, Assistant Secretary of each of the Companies, do hereby certify that the above and foregoing is a true and correct copy of the Power of Attorney executed by said Companies, which remains in full force and effect.

Dated this 18th day of November, 2024.



Kevin E. Hughes, Assistant Secretary

**To verify the authenticity of this Power of Attorney, please call us at 1-800-421-3880.
Please refer to the above-named Attorney(s)-in-Fact and the details of the bond to which this Power of Attorney is attached.**



CLACKAMAS COUNTY
PUBLIC IMPROVEMENT CONTRACT
PROJECT INFORMATION, PLANS, SPECIFICATIONS AND DRAWINGS

PROJECT: #2024-35 CBX Marmot Project

Project Description:

Clackamas Broadband eXchange (CBX) is looking for bids to place new aerial and underground fiber cable along Marmot Rd and adjacent roads. Please review drawings for construction specifics for this project. A few notes below.

- 1) The attached design drawings are a preliminary bid set. The final drawings will be provided to the contract with specifics such as pole NUMBERS and height of attachment.
- 2) For splicing, CBX is estimating a total of 1,902 total splices. CBX estimates an average of 72 splices per splice case.
- 3) CBX will provide all major materials for fiber cable construction. Contractors will provide accessory items.
- 4) Assume 200 ft of cable in an aerial slack loop and 100 ft slack in each vault.
- 5) For your bid total cost, do not include any communication make-ready costs. CBX will complete all make-ready outside of this contract.
- 6) For billing, the contractor can submit monthly invoice for work completed that month.
- 7) Contractor can assume a virtual construction meeting every 2 weeks for the first 4 months. One meeting every month after that until final completion of the project.

Material Requirements:

- Fiber Optic Cable: CBX Provided
- Splice Case: CBX provided along with all needed trays
- Conduit: CBX provided
- Vaults: CBX provided
- Risers: CBX provided
- Strand: CBX Provided
- Premise Terminations: N/A

General Requirements:

1. All minor material and equipment needed to complete this project will be supplied by the contractor unless otherwise stated above.
2. All utility make-ready costs will be the responsibility of Clackamas CBX.
3. All permits will be provided by CBX.
4. Contractor will be responsible for developing an approved traffic control plan. **All flagging costs need to be included in the bid.**
5. All fiber cables need to be labeled in every splice case and vault for future reference. CBX will provide the fiber tags.
6. All disturbed areas shall be restored to an in-kind or better condition.
7. Place locate wire in all conduit that fiber is placed in. If conduit is installed by contractor but no cable, contractor to proof and install mule tape. Locate wire and mule tape provided by CBX.
8. CBX is not responsible for extra costs due to Subcontractors failure to review complete plans, drawings and specifications.

Engineers Estimate: \$3,500,000.00

Key Dates:

All Basic Bid Work may begin as soon as the Notice to Proceed (“NTP”) is issued

Substantial Completion: January 30, 2026

Final Completion: June 30, 2026

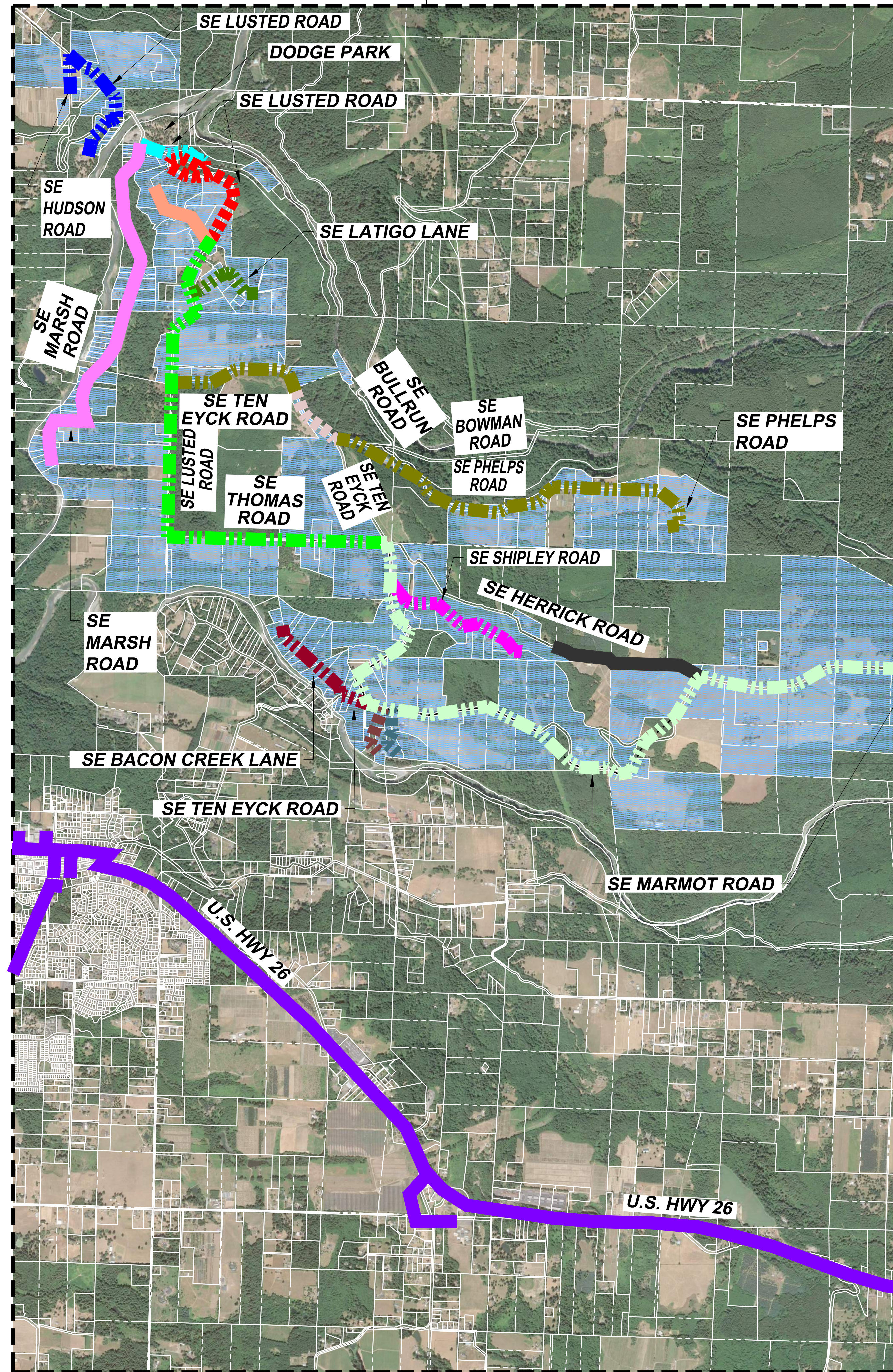
The Scope further includes the following Plans, Specifications and Drawings:

- Marmot Rd Project Preliminary Map. (3 pages)
- CBX Standard Plans for Construction (7 pages)

CLACKAMAS BROADBAND EXCHANGE CBX MARMOT ROAD HLD (HIGH LEVEL DESIGN)

CITY OF SANDY, CLACKAMAS COUNTY, OR
TOWNSHIP 1S / 1S / 2S / 2S / 2S, RANGE 4E / 5E / 4E / 5E / 6E, SECTION(S) 25 & 36 / 30 & 31 / 1 / 4-12 / 18-23
March 2024

1
2.0



LEGEND

PROPOSED ROUTE, 24F CABLE - MARMOT - SE LUSTED ROAD:

PROPOSED ROUTE, 24F CABLE - SE MEADOW SONG ROAD:

PROPOSED ROUTE, 144F CABLE - SE MARMOT ROAD & TEN EYCK ROAD BACKBONE:

PROPOSED ROUTE, 144F CABLE - SE / E MARMOT ROAD BACKBONE:

PROPOSED ROUTE, 144F CABLE - E MARMOT ROAD BACKBONE:

PROPOSED ROUTE, 144F CABLE - E MARMOT ROAD & E SLEEPY HOLLOW DRIVE BACKBONE:

PROPOSED ROUTE, 24F CABLE - SE LATIGO ROAD:

PROPOSED ROUTE, 48F CABLE - SE PHELPS ROAD:

PROPOSED ROUTE, 48F CABLE - SE PHELPS ROAD:

PROPOSED ROUTE, 24F CABLE - SE SHIPLEY ROAD:

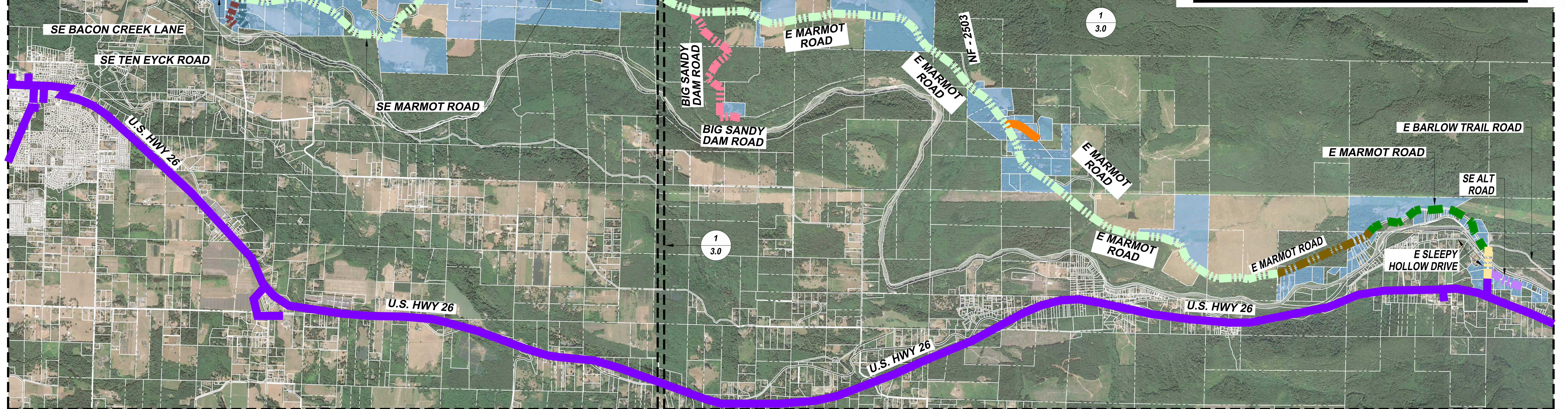
PROPOSED ROUTE, 24F CABLE - SE BACON CREEK LANE:

PROPOSED ROUTE, 24F CABLE - SE TEN EYCK ROAD:

PROPOSED ROUTE, 24F CABLE - SE TEN EYCK ROAD:

PROPOSED ROUTE, 24F CABLE - SE TEN EYCK ROAD:

CONCEPTUAL ENGINEERING REPORT ONCE PERMITS ARE SUBMITTED
EXISTING WILDFIRE RISK AREA - DUCTILE IRON

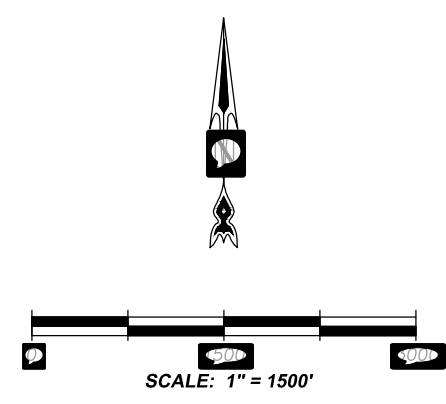


CONCEPTUAL FIBER OPTIC INFRASTRUCTURE ROUTES
1
1.0

Plot Date: 28 Mar 2024, 12:12pm By User: Owner
Drawing Name: C:\WORK\PROJECTS\CLACKAMAS BROADBAND EXCHANGE\CBX_MARMOT_RD_HLD\CAD\CAD\MARMOTRD-EX00.DWG Layout: (If Any): EX00_1.0

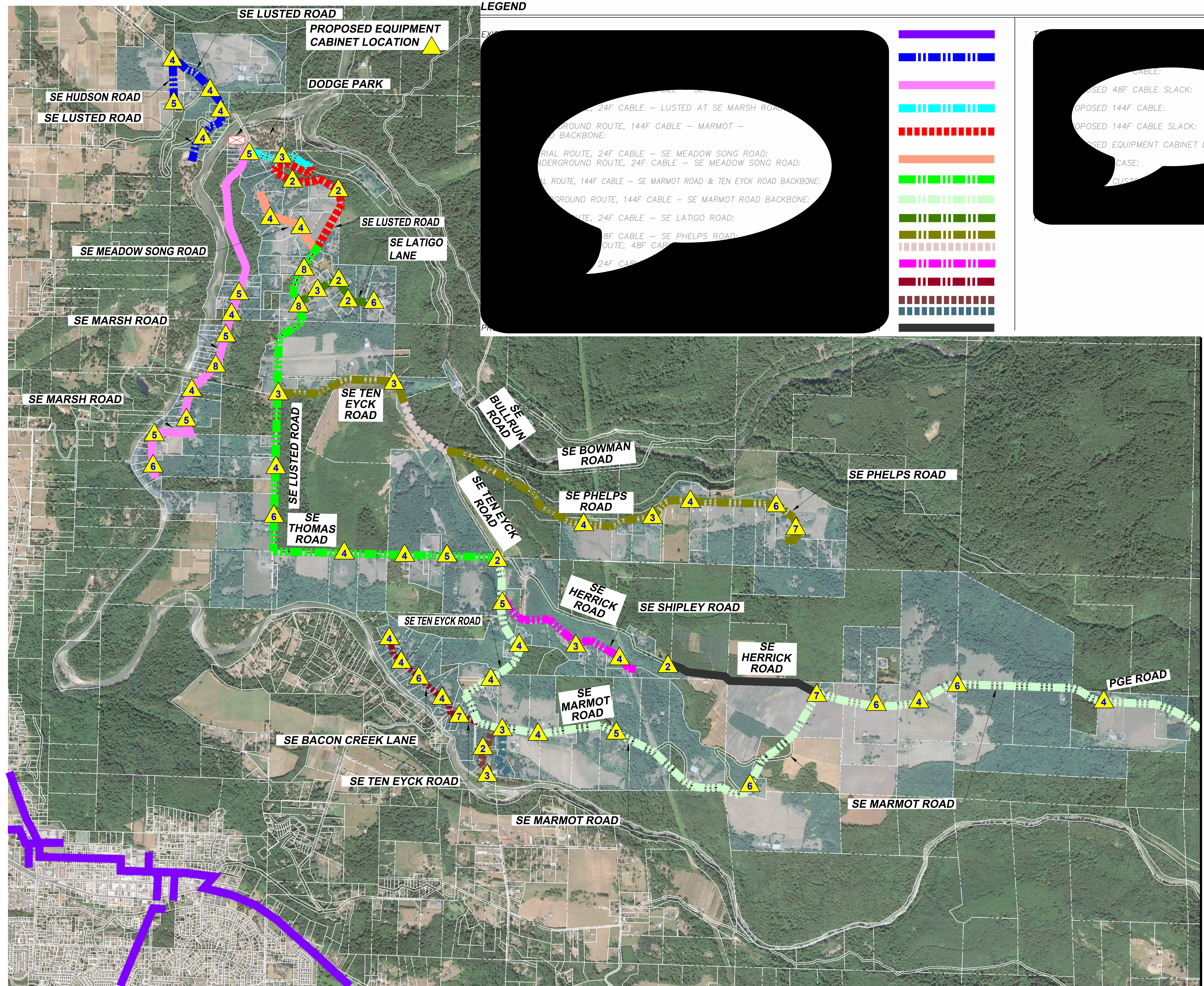


Clackamas Broadband eXchange
information at the speed of light



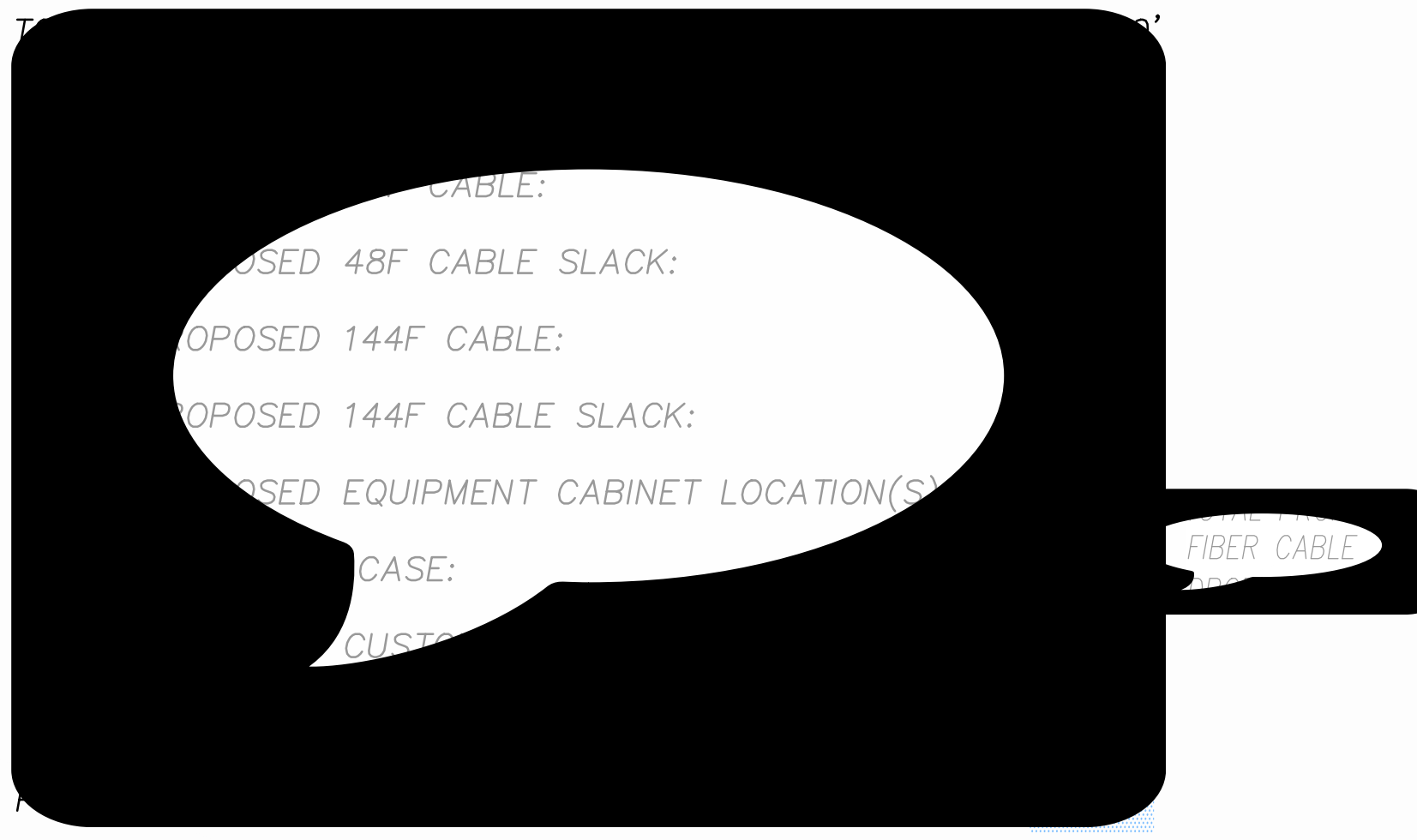
CLACKAMAS BROADBAND EXCHANGE
CBX MARMOT ROAD HLD (HIGH LEVEL DESIGN)
CONCEPTUAL FIBER OPTIC INFRASTRUCTURE ROUTES

3/28/2024 CBXMARMOTRD-EX00.DWG - EX00_1.0



LEGEND

- [Purple line]
- [Blue line]
- [Pink line]
- [Cyan line]
- [Red line]
- [Orange line]
- [Green line]
- [Light Green line]
- [Dark Green line]
- [Olive Green line]
- [Brown line]
- [Magenta line]
- [Dark Red line]
- [Dark Blue line]



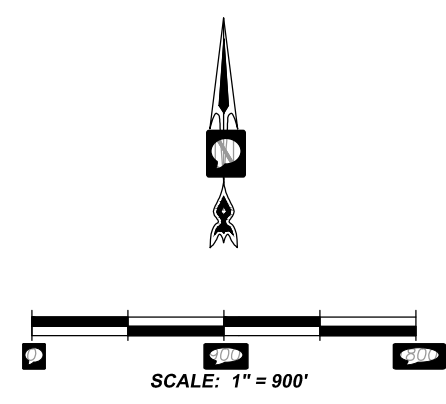
Plot Date: 28 Mar 2024, 12:35pm By: User: Owner Drawing Name: C:\WORK\PROJECTS\CLACKAMAS BROADBAND EXCHANGE\CBX_MARMOT_RD_HLD\CAD\CAD\MARMOTRD-EX00.DWG Layout: (If Any): EX00_2.0

CONCEPTUAL FIBER OPTIC INFRASTRUCTURE ROUTES
1
2.0



Clackamas Broadband eXchange
information at the speed of light

[Symbol]	[Symbol]	[Symbol]	[Symbol]
[Symbol]	[Symbol]	[Symbol]	[Symbol]
[Symbol]	[Symbol]	[Symbol]	[Symbol]
[Symbol]	[Symbol]	[Symbol]	[Symbol]



CLACKAMAS BROADBAND EXCHANGE
CBX MARMOT ROAD HLD (HIGH LEVEL DESIGN)
CONCEPTUAL FIBER OPTIC INFRASTRUCTURE ROUTES

3/28/2024 CBXMARMOTRD-EX00.DWG - EX00_2.0 2.0

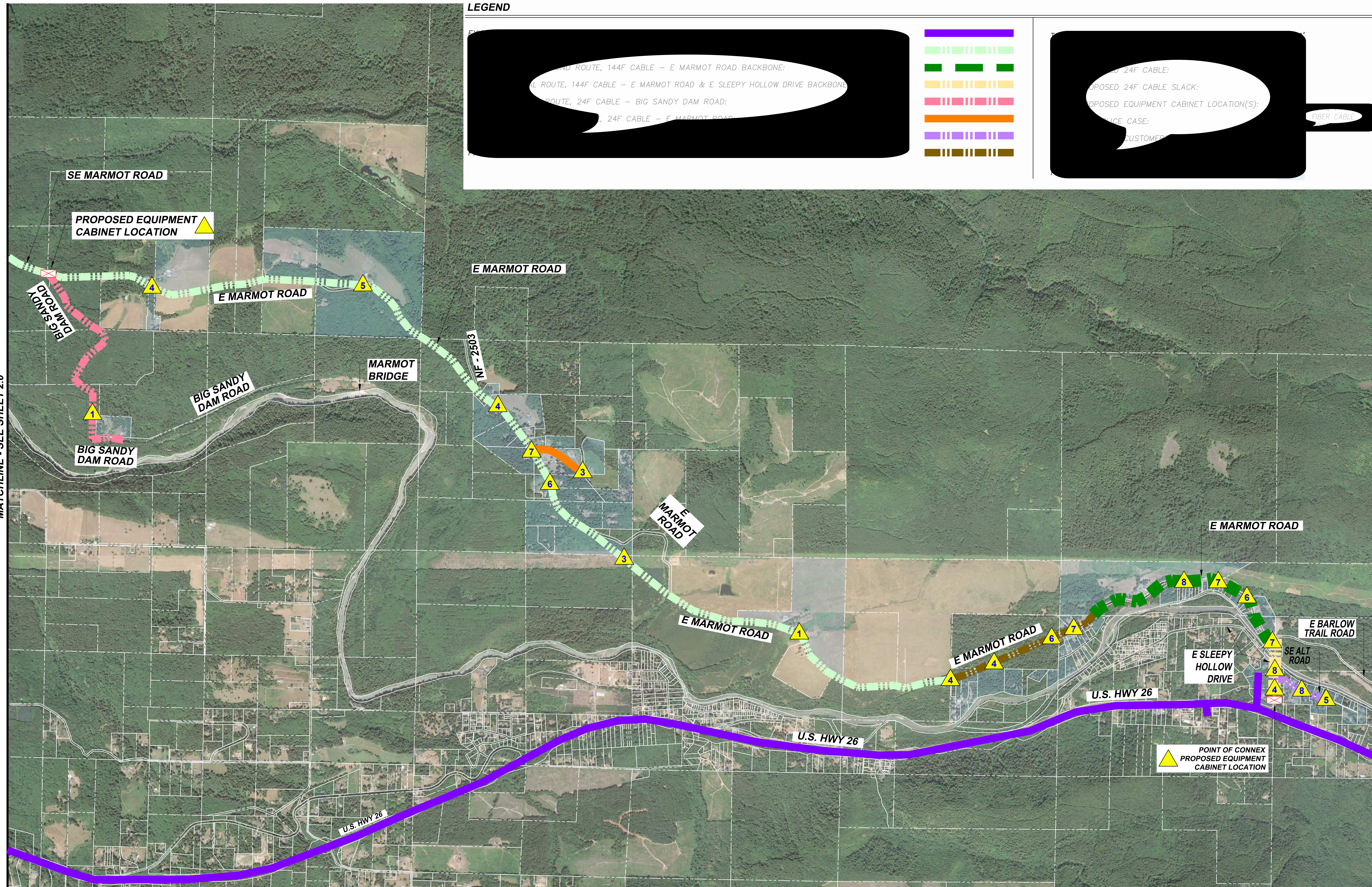
LEGEND

...ND ROUTE, 144F CABLE - E MARMOT ROAD BACKBONE:
 ...L ROUTE, 144F CABLE - E MARMOT ROAD & E SLEEPY HOLLOW DRIVE BACKBONE:
 ...ROUTE, 24F CABLE - BIG SANDY DAM ROAD:
 ...24F CABLE - E MARMOT ROAD

... 24F CABLE:
 ...POSED 24F CABLE SLACK:
 ...POSED EQUIPMENT CABINET LOCATION(S):
 ...SERVICE CASE:
 ...CUSTOMER

FIBER CABLE

MATCHLINE - SEE SHEET 2.0



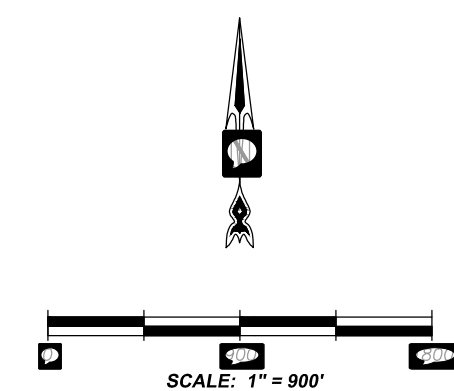
CONCEPTUAL FIBER OPTIC INFRASTRUCTURE ROUTES 1/3.0

Plot Date: 28 Mar 2024, 12:18pm By: User Owner
 Drawing Name: C:\WORK\PROJECTS\CLACKAMAS BROADBAND EXCHANGE\CBX_MARMOT_RD_HLD\CAD\CAD\MARMOTRD-EX00.DWG Layout: (If Any): EX00_3.0



Clackamas Broadband eXchange
 information at the speed of light

0	1	2	3	4	5	6	7	8	9	10
0	0	0	0	0	0	0	0	0	0	0
0	0	0	0	0	0	0	0	0	0	0
0	0	0	0	0	0	0	0	0	0	0
0	0	0	0	0	0	0	0	0	0	0



CLACKAMAS BROADBAND EXCHANGE
CBX MARMOT ROAD HLD (HIGH LEVEL DESIGN)
CONCEPTUAL FIBER OPTIC INFRASTRUCTURE ROUTES

3/28/2024 CBXMARMOTRD-EX00.DWG - EX00_3.0 3.0

SPECIFICATION SET

SURFACE FEATURES / AERIAL UTILITIES - LINETYPES & SYMBOLS

EXISTING	PROPOSED
CABLE	CABLE
STRAND	STRAND
CONDUIT	CONDUIT
PLENUM / RISER RATED FLEX CONDUIT (AS SPECIFIED)	AERIAL CONDUIT
CONDUIT	CONDUIT
PLENUM / RISER RATED FLEX CONDUIT (AS SPECIFIED)	PLENUM / RISER RATED FLEX CONDUIT (AS SPECIFIED)
POLE TO POLE GUY	POLE TO POLE GUY
CENTERLINE	CENTERLINE
AERIAL MID-SPAN X-OVER	AERIAL MID-SPAN X-OVER

COMMUNICATIONS (OWNERS SPECIFIED ON PLANS)	
CATV	CATV
TELEPHONE	TELEPHONE
FIBER OPTIC	FIBER OPTIC

POWER/ELECTRICAL (OWNERS SPECIFIED ON PLANS)	
PRIMARY	PRIMARY
STREET LIGHT	STREET LIGHT
TRAFFIC SIGNAL	TRAFFIC SIGNAL

OTHER UTILITIES	
GAS	GAS
SANITARY	SANITARY
STORM	STORM
WATER	WATER

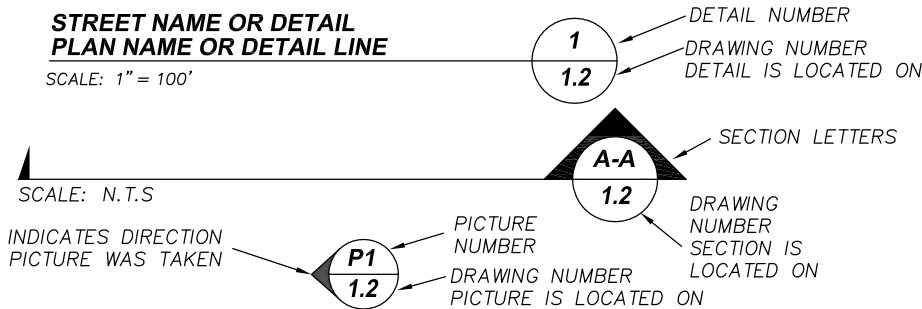
TOPO FEATURES	
BACK OF WALK/SIDEWALK	BACK OF WALK/SIDEWALK
BUILDING FOOTPRINT	BUILDING FOOTPRINT
CULVERT	CULVERT
CURB	CURB
EDGE OF CONCRETE	EDGE OF CONCRETE
EDGE OF GRAVEL	EDGE OF GRAVEL
EDGE OF PAVEMENT	EDGE OF PAVEMENT
DRIVEWAY	DRIVEWAY
TOP OF BANK	TOP OF BANK
FENCE STRIPING	FENCE STRIPING
R/R TRACKS	R/R TRACKS
RIGHT-OF-WAY CENTERLINE	RIGHT-OF-WAY CENTERLINE
RIGHT-OF-WAY	RIGHT-OF-WAY
PROPERTY LINE	PROPERTY LINE
EASEMENT	EASEMENT
WALL	WALL
VEGETATION LINE	VEGETATION LINE

ABBREVIATIONS

E/O	EAST OF	E	EAST	ABN	ABANDONED	DG	DOWNGUY	HT	HEIGHT	PWR	POWER
E/W	EQUIPPED WITH	N	NORTH	AE	AERIAL	DOC	DEPTH OF COVER	ID	INNERDUCT	RMV	REMOVE
N/O	NORTH OF	NE	NORTHEAST	AYA	ALLEY ARM	DWY	DRIVEWAY	IE	INTERIOR ENTRY	RPL	REPLACE
O/S	OFFSET	NW	NORTHWEST	BA	BUILDING ATTACHMENT	EA	EACH	JB	JUNCTION BOX	SCA	SIDE CABLE ARM
S/O	SOUTH OF	S	SOUTH	BE	BUILDING ENTRY	EXTG	EXISTING	MGN	MULTI-GROUNDED NEUTRAL	SL	STREET LIGHT
S/W	SIDEWALK	SE	SOUTHEAST	BOC	BACK OF CURB	F-DE	FALSE DEAD END	MIN	MINIMUM	SLP	STREET LIGHT PROTECTED
W/O	WEST OF	SW	SOUTHWEST	BOW	BACK OF WALK	FB	FIELD BEND	MST	MULTIPOINT SMARTERMINAL	SLU	STREET LIGHT UNPROTECTED
		W	WEST	BP	BORE PIT	FC	FIBERGLASS CONDUIT	NT	NO TAG	TEL	TELEPHONE
				BSP	BLACK STEEL PIPE	FDC	FIBER DUCT IN CONCRETE	NV	NOT VISIBLE	UG	UNDERGROUND
				BT	BLANK TAG	FGA	FIBERGLASS ARM	OD	OUTSIDE DIAMETER	VGR	VERTICAL GROUND ROD
				CAB	CABINET	FLR	FLOOR	OHG	OVERHEAD GUY	W	WALL
				CATV	CABLE TELEVISION	FO	FIBER OPTIC	P	POLE	WH	WEATHERHEAD
				C&G	CURB & GUTTER	FOC	FACE OF CURB	PL	PLACE	WDA	WOOD ARM
				COMM	COMMUNICATIONS	FS	FIELD SIDE	PPG	POLE TO POLE GUY	WT	WEIGHT
				DE	DEAD END	GRC	GALVANIZED RIGID CONDUIT	PUE	PUBLIC UTILITY EASEMENT		
				D-DE	DOUBLE DEAD END	HDG	HOT DIPPED GALVANIZED				

EXISTING	AERIAL DESIGN	PROPOSED
OFDC	OFDC	OFDC
UTILITY POLE	UTILITY POLE	UTILITY POLE
COMM POLE	COMM POLE	COMM POLE
SPLICE	SPLICE	SPLICE
MID-SHEATH SPLICE	MID-SHEATH SPLICE	MID-SHEATH SPLICE
VAULT/BUILDING STORAGE	VAULT/BUILDING STORAGE	VAULT/BUILDING STORAGE
FIBER SYMBOL	FIBER SYMBOL	FIBER SYMBOL
AERIAL STORAGE	AERIAL STORAGE	AERIAL STORAGE
POWER ANCHOR & GUY	DG TO EXTG POWER ANCHOR	DG TO EXTG POWER ANCHOR
POWER S/W ANCHOR & GUY	DG TO EXTG POWER S/W ANCHOR	DG TO EXTG POWER S/W ANCHOR
COMM ANCHOR & GUY	DG TO EXTG COMM ANCHOR	DG TO EXTG COMM ANCHOR
COMM S/W ANCHOR & GUY	DG TO EXTG COMM S/W ANCHOR	DG TO EXTG COMM S/W ANCHOR
JOINT ANCHOR & GUY	ANCHOR & GUY	ANCHOR & GUY
JOINT ANCHOR & S/W GUY	S/W ANCHOR & GUY	S/W ANCHOR & GUY
VGR GROUND	VGR GROUND	VGR GROUND
INTERIOR BOND	INTERIOR BOND	INTERIOR BOND

DETAILS AND SECTIONS CALLOUT SYMBOLOLOGY



EXISTING	UNDERGROUND DESIGN	PROPOSED
CABLE MARKER	CABLE MARKER	CABLE MARKER
CABLE MARKER E/W GROUND LUGS	CABLE MARKER E/W GROUND LUGS	CABLE MARKER E/W GROUND LUGS
LOCATE TERMINAL ACCESS POINT	LOCATE TERMINAL ACCESS POINT	LOCATE TERMINAL ACCESS POINT
GROUND ROD	GROUND ROD	GROUND ROD
MST	MST	MST
SIGNAL CONTROLLER	SIGNAL CONTROLLER	SIGNAL CONTROLLER
PEDESTAL	PEDESTAL	PEDESTAL
OMNI-BALL MARKER	OMNI-BALL MARKER	OMNI-BALL MARKER
POWER TRANSFORMER	POWER TRANSFORMER	POWER TRANSFORMER
POWER METER	POWER METER	POWER METER
CROSS WALK SIGNAL	CROSS WALK SIGNAL	CROSS WALK SIGNAL
R/R CROSSING SIGNAL	R/R CROSSING SIGNAL	R/R CROSSING SIGNAL
JUNCTION BOX	JUNCTION BOX	JUNCTION BOX
TRAFFIC SIGNAL POLE	TRAFFIC SIGNAL POLE	TRAFFIC SIGNAL POLE
SIGNAL CONTROLLER RAILROAD ARM	SIGNAL CONTROLLER RAILROAD ARM	SIGNAL CONTROLLER RAILROAD ARM
SIGN	SIGN	SIGN
AREA DRAIN	AREA DRAIN	AREA DRAIN
CATCH BASIN	CATCH BASIN	CATCH BASIN
STORM SEWER	STORM SEWER	STORM SEWER
BLOW OFF	BLOW OFF	BLOW OFF
FIRE CONNECTION	FIRE CONNECTION	FIRE CONNECTION
FIRE HYDRANT	FIRE HYDRANT	FIRE HYDRANT
IRRIGATION METER	IRRIGATION METER	IRRIGATION METER
IRRIGATION VALVE	IRRIGATION VALVE	IRRIGATION VALVE
WATER METER	WATER METER	WATER METER
WATER VALVE	WATER VALVE	WATER VALVE
WATER VAULT	WATER VAULT	WATER VAULT
BOLLARD	BOLLARD	BOLLARD
GAS VALVE	GAS VALVE	GAS VALVE
GAS METER	GAS METER	GAS METER
LUMINAIRE	LUMINAIRE	LUMINAIRE
MAILBOX	MAILBOX	MAILBOX
PROPERTY CORNER	PROPERTY CORNER	PROPERTY CORNER
MONUMENT SURVEY	MONUMENT SURVEY	MONUMENT SURVEY
PARKING METER	PARKING METER	PARKING METER
CATV RISER	CATV RISER	CATV RISER
STEEL PILING	STEEL PILING	STEEL PILING
TELECOMM MANHOLE	TELECOMM MANHOLE	TELECOMM MANHOLE
SANITARY SEWER	SANITARY SEWER	SANITARY SEWER
TREE	TREE	TREE

45'/4/2019/D(T)=POLE HT/CLASS/YR/DISTRIBUTION(TRANSMISSION)
P.O.A.= _____ <-EXISTING POINT OF ATTACHMENT
P.O.A.= _____ <-PROPOSED POINT OF ATTACHMENT

DESIGNED BY: CCLLC	FIELD BY: CCLLC
CHECKED BY: CCLLC	DRAWN BY: CCLLC

REVISIONS				
REV	DESCRIPTION	DATE	BY	APPR.

Clackamas Broadband eXchange

information at the speed of light

STANDARD PLANS FOR CONSTRUCTION

LEGEND

CITY: CITY - TOWNSHIP	RANGE	SECTION(S):	COUNTY: COUNTY CO., STATE
PLOT DATE: 5/08/2022	SCALE: AS SHOWN	PROJECT NAME-FILENAME.DWG - TAB_SHEET #	SHEET 1.2
CBX-DT00.DWG - LG01_1.2			

COMMSSTRUCTURE CONSULTING, LLC
811 Railroad Avenue
Oregon City, Oregon 97045
www.commsstructureconsulting.com
Main Office: 503.343.4134

SPECIFICATION SET

SITE CONDITIONS:

THE LOCATIONS OF EXISTING UTILITIES SHOWN IN THIS PLAN ARE APPROXIMATE. IT SHALL BE THE CONTRACTOR'S RESPONSIBILITY TO VERIFY THE LOCATION OF ALL UNDERGROUND UTILITIES. UTILITIES MAY EXIST IN THE AREA IN ADDITION TO THOSE SHOWN ON THE PLAN. THE CONTRACTOR SHALL CONTACT PROPERTY OWNERS WHEN WORKING WITHIN PRIVATE EASEMENTS FOR LOCATION OF UNDERGROUND TANKS, PIPELINES, DRAIN TILES, OR OTHER BURIED IMPROVEMENTS. THE CONTRACTOR SHALL ALSO NOTIFY THE UTILITY NOTIFICATION CENTER PRIOR TO COMMENCING ANY CONSTRUCTION ACTIVITIES.

THE CONTRACTOR MUST ASSUME ALL BURIED UTILITIES ENCOUNTERED ARE LIVE AND ACTIVE UNLESS SPECIFICALLY INSTRUCTED OTHERWISE BY THE OWNERS OR OPERATORS OF SAID UTILITIES. REPAIR OF ANY DAMAGED CONDUIT CONTAINING CABLE SHALL BE MADE BY USE OF PVC SPLIT DUCT OR MATCH EXISTING. DAMAGE TO SUB-SURFACE STRUCTURES IS THE SOLE RESPONSIBILITY OF THE PLACING CONTRACTOR.

THE CONTRACTOR SHALL PROTECT THE EXISTING TRAFFIC CONTROL LOOPS. IF EXISTING TRAFFIC CONTROL LOOPS ARE DAMAGED DURING CONSTRUCTION, THE ENTIRE LOOP WIRE FROM TERMINAL TO TERMINAL SHALL BE REPLACED IN ACCORDANCE WITH GOVERNING AGENCY STANDARDS AND REGULATIONS AT CONTRACTOR'S EXPENSE.

REMOVAL OF EXISTING ASPHALT PAVEMENT, CONCRETE CURBS, AND CONCRETE SIDEWALKS WILL BE "NEAT LINE" WITH SAW OR PAVEMENT CUTTER, PER REQUIREMENTS AND SPECIFICATIONS OF THE AGENCY OR DEPARTMENT RESPONSIBLE FOR EACH LOCATION. IF CONCRETE PAVEMENT IS ENCOUNTERED WHILE EXCAVATING CONDUIT TRENCHES, THE CONCRETE REMOVAL WILL BE "NEAT LINE" WITH A PAVEMENT SAW.

IF CONCRETE CURB RETURNS AND/OR SIDEWALKS ARE REPLACED DUE TO CONDUIT OR MANHOLE INSTALLATION, THE CONTRACTOR SHALL PLACE APPROVED HANDICAPPED SIDEWALK AND CURB ACCESS RAMPS IN CONFORMANCE WITH STATE STATUTES.

ALL MATERIALS NECESSARY FOR THE REPAIR OF STREETS, CURBS, SIDEWALKS, SANITARY SEWERS, STORM SEWERS, AND PUBLIC SERVICE UTILITIES, AND THE INSTALLATION OF SUCH MATERIALS SHALL BE IN CONFORMANCE WITH THE REQUIREMENTS AND SPECIFICATIONS OF THE AGENCY OR DEPARTMENT RESPONSIBLE FOR THE OPERATION AND MAINTENANCE OF THE REPAIRED FACILITY.

ALL OPEN TRENCH WILL BE CLEARLY MARKED WITH BARRICADES OR CONES. STEEL PLATES OR OTHER TYPES OF BRIDGING SHALL BE PROVIDED TO COVER OPEN TRENCH IN THE TRAVEL PORTION OF THE STREETS. THESE PLATES OR BRIDGING SHALL BE ADEQUATE TO SUPPORT THE NORMAL VEHICLE LOADS ANTICIPATED IN THIS AREA AND SHALL BE IN PLACE DURING ALL NON-WORKING AREAS.

ALL SURFACES TO BE RESTORED TO ORIGINAL CONDITION, AND BACKFILL TO BE COMPACTED AS SPECIFIED. TRENCH EXCAVATION IN SURFACES WHICH INCLUDE CONCRETE TREATED BASE SHALL FOLLOW LOCAL AREA SPECIFICATIONS.

ALL WORK SHALL CONFORM TO THE SPECIFICATIONS OF THE JURISDICTIONAL PERMIT AGENCY.

TEMPORARY BACKFILL:

THE CONTRACTOR SHALL BE REQUIRED TO MAINTAIN NORMAL TRAFFIC MOVEMENT DURING NON-WORK PERIODS FOR ALL CONSTRUCTION ACTIVITY WITHIN THE LIMITS OF CITY STREETS BY THE USE OF STEEL PLATES (DESIGNED FOR H-20 LOADING) OR BACKFILLING THE TRENCH. IF THE CONTRACTOR ELECTS TO BACKFILL THE TRENCH HE SHALL "CAP" THE TRENCH WITH A 2"(COMPACTED MINIMUM) DEPTH OF CLASS "C" ASPHALTIC CONCRETE COLD MIX. IF THE CONTRACTOR ELECTS TO PLATE THE TRENCH THE PLATES SHALL BE PINNED AT EACH CORNER AND THE EDGES SHALL BE "RAMPED" WITH CLASS "C" ASPHALTIC CONCRETE COLD MIX TO PREVENT "WHEEL SHOCK" ON IMPACT. COLD MIX SHALL BE COMPACTED AND SMOOTH IN EITHER TYPE OF INSTALLATION. TO PREVENT SKIDDING, TRAFFIC PLATES SHALL BE TREATED WITH WELD BEADS TO PROVIDE TRACTION. WELD BEADS SHALL BE LOCATED 4" ON CENTER AND EXTEND THROUGH THE TRAVEL PORTIONS OF THE PLATES. USE OF STEEL PLATES IN THE ROW TO BE APPROVED BY THE GOVERNING PERMIT AGENCY.

BACKFILL:

BACKFILL OF CONDUIT TRENCH OR MANHOLE EXCAVATION SHALL BE 3/4" - 0 CRUSHED ROCK PLACED IN 6" LIFTS AND COMPACTED WITH MECHANICAL VIBRATING TYPE COMPACTION EQUIPMENT TO 95% OF MAXIMUM DRY DENSITY (ASTM D-1550 OR AASHTO T-180) UNDER ALL PAVED SURFACES UNLESS OTHERWISE SPECIFIED.

BACKFILL OF CONDUIT TRENCH OR MANHOLE EXCAVATION IN NON-PAVED AREAS SHALL BE CLEAN SAND OR SILTY LOAM SOILS PLACED IN 1'-0" LIFTS COMPACTED BY MECHANICAL VIBRATING TYPE COMPACTION EQUIPMENT TO 95% OF MAXIMUM DRY DENSITY (ASTM D698 OR AASHTO T-99) UNLESS OTHERWISE SPECIFIED.

BACKFILL AROUND ALL VAULTS SHOULD CONSIST OF COMPACTED SELECT BACKFILL MATERIAL OR IN ACCORDANCE WITH AGENCY SPECIFIED BACKFILL. IN NO CASE SHALL THE MATERIAL BE SATURATED OR CONTAIN LARGE ROCKS OR CHUNKS. NO VOIDS SHALL REMAIN BETWEEN THE VAULT WALLS AND THE NATIVE SOIL. BACKFILL AROUND VAULTS SHALL NOT BE PLACED UNTIL THE ENTIRE VAULT STRUCTURE IS IN PLACE INCLUDING ALL LIDS AND RISERS, BEING SURE TO COMPACT FILL MATERIAL FROM BOTTOM TO TOP SURFACE.

SAND MAY BE WATER SETTLED IF THAT TYPE OF COMPACTION IS ALLOWED BY THE PERMITTING AGENCY IN EITHER PAVED OR NON-PAVED SITUATIONS. THE CONTRACTOR SHALL VERIFY THE TYPE OF COMPACTION ALLOWED PRIOR TO BEGINNING ANY BACKFILL ACTIVITY.

BACKFILL SHALL BE PLACED IN ACCORDANCE WITH THE SPECIFICATIONS AND REGULATIONS OF THE JURISDICTIONAL PERMIT AGENCY.

HAZARDOUS MATERIALS:

THE CONTRACTOR SHALL NOTIFY THE JURISDICTIONAL PERMIT AGENCY IMMEDIATELY IF ANY MATERIALS ARE ENCOUNTERED THAT MAY BE CONSIDERED HAZARDOUS BY THE EPA, DEQ, OR OSHA. IF POTENTIALLY HAZARDOUS MATERIALS ARE ENCOUNTERED THE CONTRACTOR SHALL SECURE THE SITE AND PREVENT ACCIDENTAL EXPOSURE TO THE PUBLIC OR THE CONTRACTOR'S PERSONNEL.

THE CONTRACTOR MAY EXCAVATE UP TO, BUT SHALL NOT DISTURB KNOWN HAZARDOUS MATERIALS SUCH AS ASBESTOS, OILS, ACID, ETC. THE REMOVAL OF ALL HAZARDOUS MATERIALS MUST BE DONE BY A LICENSED HAZARDOUS MATERIALS CONTRACTOR AND IN ACCORDANCE WITH JURISDICTIONAL AGENCY REQUIREMENTS.

LANDSCAPING:

TREE AND PLANT PROTECTION TO CONFORM WITH THE AMERICAN NATIONAL STANDARDS INSTITUTE (ANSI) SECTION A300 PART 1 -10 AS APPLICABLE. ANY DEVIATION FROM INDUSTRY APPROVED TREE AND PLANT CARE TO BE CLEARED WITH THE GOVERNING PERMIT AGENCY REPRESENTATIVE AND OR ADJOINING PROPERTY OWNER PRIOR TO ANY PRUNING OR EXCAVATION.

AT NO POINT IN TIME SHALL THE CONTRACTOR REMOVE ANY TREES OR SHRUBS WITH OUT PREVIOUS AUTHORITY FROM THE GOVERNING PERMIT AGENCY.

EXCAVATION IN LAWN AREAS SHALL BE "NEAT LINED" WITH A SOD CUTTER TO ENSURE A SMOOTH MATCH LINE FOR REPAIR WITH APPROVED SOD.

ALL LAWN RESTORATION SHALL BE DONE BY USING SOD PLACED TO THE GROWER/SUPPLIERS SPECIFICATIONS AND ADJACENT PROPERTY OWNER'S SPECIFICATIONS.

SOD USED TO REPAIR EXISTING LAWN AREA SHALL BE OF A BLEND THAT WILL MATCH THE ADJACENT UNDISTURBED LAWN AREA FOR BOTH COLOR AND TEXTURE.

PRIVATE IRRIGATION SYSTEMS ARE OCCASIONALLY LOCATED WITHIN THE PUBLIC RIGHT-OF-WAY OF ADJACENT STREET AREAS. THE CONTRACTOR SHALL BE RESPONSIBLE FOR THEIR OPERATION AND REPAIR IF DAMAGE OCCURS DURING HIS CONSTRUCTION ACTIVITY. PRIVATE IRRIGATION SYSTEMS LOCATED ON PRIVATE PROPERTY DAMAGED BY CONSTRUCTION ACTIVITY SHALL BE REPAIRED IMMEDIATELY TO THE OWNER'S SATISFACTION AT NO COST TO THE OWNER.

IN DEVELOPED (PROFESSIONALLY) LANDSCAPED AREAS, NO WORK SHALL BE DONE WITHOUT THE OWNER'S WRITTEN PERMISSION OR AUTHORIZATION.

STRUCTURE PROTECTION:

VAULTS AND CONDUIT TO BE PLACED ADJACENT TO EXISTING STRUCTURES SUCH AS BRIDGE FOOTINGS, PIERS, BUILDING FOUNDATIONS, WALLS, POWER AND TELEPHONE POLES, AND OTHER UTILITIES SHALL MAINTAIN A MINIMUM CLEARANCE AS SHOWN. THE CONTRACTOR SHALL NOT UNDERMINE ANY ADJACENT STRUCTURE WITHOUT SPECIFIC WRITTEN PERMISSION FROM THE OWNER/OPERATOR OF SUCH STRUCTURE.

EXISTING UTILITIES EXPOSED DURING EXCAVATION SHALL BE 100% SUPPORTED BY BOTH TRENCH BRIDGING AND SUSPENSION OR BY THE USE OF LONGITUDINAL TRAYS OR PLATFORMS VERTICALLY SUPPORTED BY ADJUSTABLE BUILDING JACKS.

EXISTING SPLICE CASES AND CABLES SHALL BE SUPPORTED AT A MAXIMUM SPACING OF 4.0 FEET AND SHALL CONSIST OF A CANVAS SLING WITH NYLON BELTING OR ROPE. ALL CABLE SUPPORTS SHALL BE PLACED IN A MANNER THAT PREVENTS KINKS OR OTHER DAMAGE TO THE CABLE SHEATH.

AN ACCEPTABLE ALTERNATIVE TO CABLE SLINGS WOULD BE THE UTILIZATION OF A WIDE FLANGE "I" BEAM OR CHANNEL AS A "CABLE TRAY" WITH THE CABLES/CASES BANDED IN PLACE.

SHORING:

THE CONTRACTOR SHALL PROVIDE SHORING FOR CONDUIT TRENCH EXCAVATION 42" OR MORE IN DEPTH AS MEASURED FROM THE HIGH SIDE OF THE TRENCH AND FOR ALL MANHOLE EXCAVATION.

MANHOLE SHORING SHALL BE TIGHT-SHEETED.

ALL SHORING SHALL CONFORM TO THE STANDARDS AND SPECIFICATIONS OF THE JURISDICTIONAL PERMIT AGENCY AND THE OCCUPATIONAL SAFETY AND HEALTH ADMINISTRATION (OSHA).

SHORING SHALL BE DESIGNED TO MEET H-20 HIGHWAY LOADING CRITERIA.

THE CONTRACTOR SHALL PROVIDE ALL SHORING AND DESIGN CALCULATIONS TO THE PERMIT ISSUING AGENCY PRIOR TO COMMENCING ANY CONSTRUCTION ACTIVITY.

EXISTING UTILITY SERVICES:

ANY UTILITY DAMAGED BY CONSTRUCTION ACTIVITY SHALL BE RETURNED TO FULL SERVICE IMMEDIATELY AND ANY COST OR EXPENSE CONSIDERED TO BE LOST BY THE UTILITY USER SHALL BE THE CONTRACTOR'S RESPONSIBILITY. IN THE EVENT OF ANY DAMAGE TO AN EXISTING UTILITY THE CONTRACTOR SHALL IMMEDIATELY NOTIFY THE UTILITY OWNER AND THE PROJECT MANAGER.

LANDSCAPE AREAS SERVED BY IRRIGATION SYSTEMS SHALL BE MAINTAINED AT ALL TIMES DURING CONSTRUCTION BY THE UTILIZATION OF TEMPORARY SOURCES OF IRRIGATION WATER OR BY MAKING TEMPORARY REPAIRS TO THE DAMAGED SYSTEM TO ALLOW ITS SATISFACTORY OPERATION.

SPECIAL UTILITY CLEARANCES:

ALL WORK CONDUCTED ADJACENT TO WATER MAINS, STORM SEWERS, OR SANITARY SEWERS SHALL CONFORM TO THE FOLLOWING CONDITIONS, UNLESS OTHERWISE SPECIFIED BY THE GOVERNING PERMIT AGENCY:


A. PARALLEL CONDUIT SHALL MAINTAIN A HORIZONTAL SEPARATION OF 5.0 FEET, MEASURED SURFACE TO SURFACE. (OUTSIDE EDGE TO OUTSIDE EDGE)

B. PERPENDICULAR CONDUIT PASSING UNDER OR OVER UTILITIES MUST MAINTAIN 12" VERTICAL CLEAR SEPARATION. UNLESS SPECIFICALLY STATED OTHERWISE BY THE JURISDICTIONAL UTILITY OR PERMIT AGENCY.

C. THE CONTRACTOR SHALL BE RESPONSIBLE FOR ESTABLISHING AND MAINTAINING THIS REQUIRED VERTICAL SEPARATION BY EITHER EXPOSING THE UTILITY EVERY 100 FEET IN THOSE AREAS WHERE HORIZONTAL SEPARATION IS LESS THAN 5.0 FEET OR BY UTILIZING KNOWN DEPTHS OF ADJACENT FACILITIES. IF THE CONTRACTOR UTILIZES THE ADJACENT FACILITIES TO DETERMINE DEPTH, HE SHALL CONTACT THE GOVERNING AGENCY AT EACH SUCH LOCATION AND THE AGENCY WILL DETERMINE THE NECESSARY DEPTH OF THE TOP OF THE CONDUIT AT THAT POINT.

D. THE VERTICAL AND HORIZONTAL SEPARATION SHALL BE MAINTAINED AT ALL TIMES UNLESS SPECIFICALLY STATED OTHERWISE BY THE JURISDICTIONAL PERMIT AGENCY. ANY SPECIFIC DEVIATION IN VERTICAL AND HORIZONTAL SEPARATION FROM THOSE DESCRIBED SHALL BE REPORTED TO THE OWNER BY THE CONTRACTOR. THE CONTRACTOR SHALL BE RESPONSIBLE FOR MAINTAINING VERTICAL AND HORIZONTAL SEPARATION AT ALL TIMES AND SHALL BE RESPONSIBLE FOR ANY AND ALL ENCROACHMENTS.

Plot Date: 08 May 2022, 12:47pm By User: tombr Drawing Name: C:\CCLLC\PROJECTS\CLACKAMAS BROADBAND EXCHANGE\CAD\CXB-DT00.DWG Layout (If Any): gn01_1.3



811 Railroad Avenue
Oregon City, Oregon 97045
www.commstructureconsulting.com

Main Office:
503.343.4134

DESIGNED BY:	CCLLC	FIELD BY:	CCLLC	
CHECKED BY:	CCLLC	DRAWN BY:	CCLLC	
REVISIONS				
REV	DESCRIPTION	DATE	BY	APPR.

Clackamas Broadband eXchange

information at the speed of light

STANDARD PLANS FOR CONSTRUCTION

GENERAL NOTES

CITY: CITY - TOWNSHIP RANGE SECTION(S):		COUNTY: COUNTY CO., STATE	
PLOT DATE: 5/08/2022	SCALE: AS SHOWN	PROJECT NAME-FILENAME.DWG - TAB_SHEET # CBX-DT00.DWG - GN01_1.3	SHEET 1.3

SPECIFICATION SET

PROTECTION OF EXISTING SURVEY MONUMENTS:

THE CONTRACTOR SHALL REPLACE ALL MONUMENTS THAT DEFINE PROPERTY OWNERSHIP SUCH AS IRON RODS, IRON PIPES, BRASS SCREWS, AND REFERENCE POINTS AS REQUIRED BY THE GOVERNING STATE STATUTES. ANY CORNER OR REFERENCE TO A CORNER OF A RECORD OF SURVEY SHALL BE REPLACED BY A LICENSED SURVEYOR WITHIN 90 DAYS OF ITS REMOVAL.

REPLACEMENT MONUMENTS SHALL CONFORM TO STATE STATUTES AS TO TYPE AND STYLE OF IDENTIFICATION WITH THE NECESSARY RECORD OF SURVEY IDENTIFYING WHAT WAS FOUND ORIGINALLY AND WHAT WAS SET AND THE DATE THE REPLACEMENT WAS SET. THE RECORD OF SURVEY SHALL BE COMPLETED IN CONFORMANCE WITH THE REGULATIONS OF THE RELEVANT STATE AND THE JURISDICTIONAL PERMIT AGENCY SURVEYOR.

IT IS THE CONTRACTORS RESPONSIBILITY TO UNDERSTAND AND COMPLY WITH THE JURISDICTIONAL STATUTES SET FORTH BY THE RELEVANT GOVERNING AGENCY.

CONSTRUCTION STAKING:

IN AREAS WHERE THE CONDUIT ALIGNMENT IS NOT CLEARLY DEFINED BY CURB LINES, FENCE LINES, OR OTHER EVIDENCE OF THE RIGHT-OF-WAY, IT IS RECOMMENDED THAT THE CONTRACTOR COORDINATE WITH A PROFESSIONAL SURVEYOR TO PROVIDE STAKING OR PAINT MARKS TO CLEARLY IDENTIFY THE PROPOSED ALIGNMENT.

IF ADDITIONAL FIELD STAKING OF PROPOSED CONDUIT ALIGNMENTS AND VAULT LOCATIONS IS REQUIRED, THE CONTRACTOR IS TO CONTACT THE INSPECTOR AND THE PROJECT DESIGNER TO SCHEDULE A FIELD MEET PRIOR TO CONSTRUCTION.

IF DISCREPANCIES BETWEEN PROFESSIONALLY SURVEYED RIGHT-OF-WAY AND THE PROPOSED ALIGNMENT ARE IDENTIFIED CONTRACTOR IS TO NOTIFY THE REGULATORY PERMIT AGENCY INSPECTOR AND THE PROJECT DESIGNER PRIOR TO CONSTRUCTION.

TRAFFIC CONTROL:

WORK ON ANY PUBLIC OR PRIVATE ROW WITH OR WITHOUT PERMIT THROUGH THE GOVERNING AGENCY MAY REQUIRE ADEQUATE TRAFFIC CONTROL TO PERFORM CONSTRUCTION ACTIVITIES.

TRAFFIC WARNING DEVICES AND SIGNS SHALL CONFORM TO THE MANUAL ON UNIFORM TRAFFIC CONTROL DEVICES (MUTCD) FOR STREETS AND HIGHWAYS (U.S. GOVERNMENT PRINTING OFFICE) AND TO THE GOVERNING AGENCY STANDARD SPECIFICATIONS. HIGH LEVEL WARNING TYPE DEVICES ARE TO BE USED AT ALL TIMES AND SPECIAL WARNING DEVICES MAY BE STIPULATED BY THE JURISDICTIONAL PERMIT AGENCY AT ANY TIME THE USE WILL ADD TO THE SAFETY AND PROTECTION OF TRAFFIC OR PEDESTRIANS IN THE CONSTRUCTION AREA.

A TRAFFIC CONTROL PLAN SHALL BE PREPARED BY THE CONTRACTOR AS REQUIRED AND SUBMITTED TO EACH PERMITTING AGENCY REQUESTING SUCH PLAN FOR REVIEW AND APPROVAL OR REVISION PRIOR TO COMMENCING ANY CONSTRUCTION ACTIVITY FOR THIS PROJECT. THE APPROVED PLAN SHALL BE SUBMITTED TO THE AGENCY AND A COPY OF THE PLAN SHALL BE KEPT AT THE CONSTRUCTION SITE AND MUST BE READILY AVAILABLE FOR REVIEW BY AGENCY REPRESENTATIVES.

PERMITS – FRANCHISES – EASEMENTS:

PHYSICAL WORK SHALL NOT BE STARTED UNTIL THE GOVERNING AGENCY INSPECTOR AND THE CONTRACTOR ARE IN POSSESSION OF AND HAVE CAREFULLY REVIEWED AND FULLY UNDERSTAND ALL CONDITIONS AND SPECIFICATIONS SET FORTH IN THE REQUIRED PERMITS, FRANCHISES, AND/OR EASEMENTS.

THE PLACING FOREMAN SHALL HAVE A COPY OF THE PERMITS/EASEMENTS ON SITE AT ALL TIMES.

ANY CONFLICT BETWEEN WORK PRINT SPECIFICATIONS AND SPECIFICATIONS SET FORTH UNDER RELATED PERMITS, FRANCHISES, AND/OR EASEMENTS MUST BE CLEARED BY PROPER COMPANY AUTHORITY BEFORE PROGRESSING WITH WORK INVOLVED.

AERIAL NOTES:

ALL AERIAL CONSTRUCTION IS TO BE PERFORMED TO INDUSTRY ACCEPTABLE STANDARDS. ALL NEW OR EXISTING CABLE HEIGHTS OF ATTACHMENT TO BE DOCUMENTED AT TIME OF CONSTRUCTION.

6.6M STRAND TO BE USED WITH STANDARD 5/8" POLE LINE HARDWARE UNLESS OTHERWISE SPECIFIED. BOND STRAND TO POWER MGN WHERE APPLICABLE.

ALL EXTENSION ARMS TO BE PLACED WILL BE EPOXY ARMS UNLESS OTHERWISE NOTED OR APPROVED BY THE INSPECTOR.

PUPI ARMS TO BE TYPE TB2000 UNLESS OTHERWISE SPECIFIED AND ARE TO BE INSTALLED ACCORDING TO THE POLE OWNER SPECIFICATIONS OR MANUFACTURER SPECIFICATIONS. POLE OWNER SPECIFICATIONS MAY SUPERSEDE MANUFACTURER SPECIFICATION FOR INSTALLATION AS REQUIRED. TYPICAL INSTALLATION INCLUDES UTILIZING TWO (2) THROUGH BOLTS AND NO LAG BOLTS.

ALL ANCHORS TO BE USED WILL BE 3/4 SCREW IN TYPE.

ALL STRAPS WILL BE PLACED 4" BEFORE AND AFTER EVERY SUPPORTING CLAMP AT A MINIMUM OF 21" APART. REPAIR / REPLACE EXISTING LASHING WIRE IF DAMAGED, AND ADD ANY MISSING GROUNDS.

CONTRACTOR TO PLUG ALL VACATED HOLES FROM ABANDONED OR RELOCATED ATTACHMENTS PER POLE OWNER SPECIFICATIONS.

IT IS THE CONTRACTORS RESPONSIBILITY TO MAINTAIN AND FOLLOW NATIONAL ELECTRIC SAFETY CODE ALONG WITH APPLICABLE LOCAL AND REGIONAL GOVERNING AUTHORITIES. ANY DISCREPANCIES BETWEEN THESE AUTHORITIES AND OR THE CONSTRUCTION PRINTS IS TO BE VALIDATED WITH THE DESIGNER OR OWNER PRIOR TO CONSTRUCTION.

CONDUITS:

ALL DIRECT BURIED CONDUIT SHALL BE PVC HEAVY WALL (SCH 40) OR HDPE SDR11 DIRECT BURIAL UNLESS OTHERWISE SPECIFIED.

CONTRACTOR SUPPLIED MATERIALS SHALL CONFORM TO THE JURISDICTIONAL PERMIT AGENCY AND OWNER SPECIFICATIONS.

ALL CONTRACTOR SUPPLIED MATERIALS SHALL INCLUDE A CERTIFIED TEST REPORT CLEARLY STATING THAT THOSE SUPPLIED MATERIALS COMPLY WITH ANY SUCH SPECIFICATION.

ALL CONDUIT IS TO BE PLACED IN THE LOCATION SHOWN ON THE DESIGN PRINTS WITH MINIMUM COVER OF 36 INCHES OR AS NOTED ON THE DRAWINGS OR SPECIFIED BY THE REGULATORY PERMIT AGENCY.

THE TOTAL LENGTH OF TRENCH OPEN AT ANY ONE TIME IS TO BE KEPT TO A MINIMUM.

ALL HDPE CONDUITS ENTERING VAULTS SHALL HAVE A MINIMUM 5.0 FOOT STRAIGHT SECTION OF SCH 40 PVC CONDUIT SLEEVE. THIS STRAIGHT SECTION SHALL BE PERPENDICULAR TO THE WALL OF SAID MANHOLE AND SHALL BE SMOOTH AND FREE OF ALL BURRS AND OTHER FEATURES THAT MAY DAMAGE CABLES. PLUGS SHALL BE UTILIZED TO ORGANIZE, SECURE AND SEAL THE HDPE CONDUITS WITHIN THE SLEEVE AS THEY ENTER THE VAULT.

ALL PVC OR HDPE CONDUITS ARE TO BE PLUGGED WITH COMPRESSION STYLE PLUGS. ANY CONDUITS CONTAINING FIBER CABLES WILL REQUIRE SIMPLEX COMPRESSION PLUGS SEALING THE CONDUIT AROUND THE CABLE.

CASINGS:

ANY REQUIRED STEEL CASING PIPE SHALL BE 100% FILET WELD (3/16") OR THREADED COUPLING.

IF WELDED THE CONTRACTOR SHALL PROVE THE INTERIOR DIMENSION BY PULLING A MANDREL COMPLETELY THROUGH THE WELDED JOINT IN BOTH DIRECTIONS. PIPE JOINTS SHALL BE STEEL BRUSHED AND PAINTED WITH A ZINC RICH FLAT BLACK METAL PRIMER PAINT.

VAULTS / HANDHOLES:

ALL VAULTS TO BE UTILITY VAULT PRECAST TYPE 444-LA UNLESS OTHERWISE SPECIFIED. 444-LA VAULTS ARE TO BE FULLY EQUIPPED WITH LADDERS, CABLE RACKS, SUPPORTS, AND PULLING IRONS AS SHOWN BELOW:

- (4) "L" BRACKETS
- (4) 8 HOLE – 113/4" CUT RACKS
- (4) SPRING NUT & SCREWS – (1/2" NUT, 1/2" X 1 1/4" PLATED CAP SCREW)

MOUNT BRACKETS ON 2' GALVANIZED "C" CHANNELS, 2 EA. SIDE, 18" APART

ALL VAULTS SHALL HAVE A SUMP CAST IN PLACE FOR DE-WATERING

GROUND COVER OVER ALL VAULTS SHOULD BE 36" MINIMUM DEPTH BELOW FINISHED STREET OR SIDEWALK ELEVATION UNLESS OTHERWISE SPECIFIED IN THE VAULT DETAILS OR ON ANY RIGHT-OF-WAY PERMIT ISSUED. IN ADDITION, DEPTH OF COVER OVER MANHOLES SHALL NOT EXCEED 60" OF COVER TO THE TOP OF THE VAULT OR PER VAULT MANUFACTURER'S SPECIFICATIONS.

EXCAVATION OVER VAULTS IS CONSIDERED PART OF THE TOTAL VAULT INSTALLATION.

IF ANY FIELD SLOTTING OF PRECAST CONCRETE VAULTS IS REQUIRED TO PROVIDE ACCESS FOR CABLES AND CONDUIT NOT PROVIDED WITH A BLOCKOUT FOR THAT PURPOSE; THE FIELD SLOT SHALL BE REPAIRED BY SPLICING ANY REINFORCING REBAR THAT HAS BEEN CUT TO ALLOW CABLE ENTRY AND SHALL BE SEALED WITH NON-SHRINK CONCRETE GROUT. THE CONTRACTOR SHALL NOTIFY OWNER IMMEDIATELY IF IT BECOMES EVIDENT FIELD SLOTTING WILL BE NECESSARY. FIELD SLOTS SHALL BE SAWCUT (SCORED INSIDE AND OUT) AND BRUSH HAMMER TO PROVIDE A ROUGHENED SURFACE FOR GROUT BONDING AND TO MINIMIZE REINFORCING SPLICES.

EXCAVATION FOR ALL PRECAST VAULTS AND HANDHOLES MUST ALLOW FOR OVERALL ASSEMBLED HEIGHT OF THE VAULT PLUS ADDED HEIGHT OF RISERS AND BEDDING MATERIAL CONSISTING OF 6" OF COMPACTED SAND OR GRAVEL, GRADED LEVEL. A MINIMUM EXCAVATION CLEARANCE OF 4" AROUND THE SIDEWALLS OF THE VAULT IS REQUIRED FOR EASE OF INSTALLATION.

BACKFILL AROUND ALL VAULTS SHOULD CONSIST OF COMPACTED SELECT BACKFILL MATERIAL OR IN ACCORDANCE WITH AGENCY SPECIFIED BACKFILL. IN NO CASE SHALL THE MATERIAL BE SATURATED SOIL, OR CONTAIN LARGE ROCKS OR CHUNKS. NO VOIDS SHOULD REMAIN BETWEEN THE VAULT WALLS AND NATIVE SOIL OF EXCAVATION. BACKFILLING SHOULD NOT BE DONE UNTIL THE VAULT IS COMPLETELY ASSEMBLED MAKING CERTAIN TO COMPACT THE BACKFILL PROGRESSIVELY IN 12" LIFTS FROM THE BOTTOM TO THE TOP SURFACE. WHEN USING MECHANICAL VIBRATORY EQUIPMENT TO OBTAIN 95% COMPACTION NEAR COMPOSITE VAULTS AND HANDHOLES, CONTRACTOR IS TO PLACE INTERNAL CROSS-BRACING PER MANUFACTURER SPECIFICATIONS.

ALL BACKFILLING IS THE RESPONSIBILITY OF THE CONTRACTOR.

ALL GROUTING OF RISERS, COVERS, CONDUIT, OR SPECIFIC SECTIONS OF VAULTS IS THE RESPONSIBILITY OF THE CONTRACTOR. NON-SHRINK CONCRETE GROUT WILL BE USED TO SEAL ALL JOINTS AND APPLIED IN A MANNER TO ENSURE COMPLETE FILLING OF VOIDS IN THE JOINT BEING SEALED.

ACCESS DOORS SHALL BE CONSTRUCTED OF STEEL, ALUMINUM, OR CONCRETE WITH AN APPROVED NON-SLIP SURFACE HAVING A STATIC COEFFICIENT OF FRICTION BETWEEN 0.60 AND 1.00 AS DETERMINED BY ASTM DESIGNATION C 1028-89. ACCESS DOORS ON INCLINED SURFACES GREATER THAN 4 % SHALL HAVE A COEFFICIENT OF FRICTION BETWEEN 0.80 AND 1.00.

OWNERS ARE RESPONSIBLE TO MAINTAIN THE NON-SLIP CHARACTERISTICS OF THE ACCESS DOOR OVER ITS LIFE IN THE SIDEWALK AREA.

Plot Date: 08 May 2022, 12:49pm By User: tombr
Drawing Name: C:\CCLLC\PROJECTS\CLACKAMAS BROADBAND EXCHANGE\CAD\CBX-DT00.DWG Layout (If Any): gn01_1.4



811 Railroad Avenue
Oregon City, Oregon 97045
www.commstructureconsulting.com

Main Office:
503.343.4134

DESIGNED BY: CCLLC	FIELD BY: CCLLC			
CHECKED BY: CCLLC	DRAWN BY: CCLLC			
REVISIONS				
REV	DESCRIPTION	DATE	BY	APPR.

Clackamas Broadband eXchange

information at the speed of light

STANDARD PLANS FOR CONSTRUCTION

GENERAL NOTES

CITY: CITY – TOWNSHIP RANGE SECTION(S):		COUNTY: COUNTY CO., STATE	
PLOT DATE: 5/08/2022	SCALE: AS SHOWN	PROJECT NAME-FILENAME.DWG – TAB_SHEET # CBX-DT00.DWG – GN01_1.4	SHEET 1.4

SPECIFICATION SET

EXISTING MANHOLE ACCESS:

THE CONTRACTOR SHALL CORE DRILL EXISTING CONCRETE WALLS TO PROVIDE ACCESS FOR CONDUIT AS SHOWN IN THE PLANS. CORE DRILLING SHALL PROVIDE A MINIMUM 1 INCH LARGER DIAMETER HOLE THAN THE SIZE OF CONDUIT BEING PLACED. THE CONTRACTOR SHALL SEAL THE VOID BETWEEN THE CONDUIT AND THE CONCRETE WITH NON-SHRINK EPOXY GROUT.

THE CONTRACTOR SHALL REPAIR ANY STRUCTURAL REINFORCING DAMAGED BY CORE DRILLING. REINFORCING REPAIR SHALL BE IN CONFORMANCE WITH THE REQUIREMENTS AND SPECIFICATIONS OF CRSI (CONCRETE REINFORCED STEEL INSTITUTE).

IF THE CONTRACTOR ELECTS TO ADJUST AN ACCESS HOLE IN WHICH REINFORCING WAS FOUND TO AVOID DAMAGE TO THE REINFORCING STEEL HE SHALL FULLY EXPOSE THE SURFACE OF THE REBAR AND FIELD COAT THE BAR WITH A ZINC RICH PAINT BEFORE PLACING NON-SHRINK EPOXY GROUT TO REPAIR DAMAGE.

LOCATORS AND MARKERS:

THE CONTRACTOR IS RESPONSIBLE FOR PLACING APPROPRIATE MARKERS TO INSURE THAT OTHER UTILITIES WORKING IN THE AREA OF OWNER FACILITIES ARE AWARE OF THEIR PRESENCE BEFORE DAMAGE CAN OCCUR. MARKING WILL BE MADE BY USE OF "WARNING TAPE" AND "POST MARKERS" FOR CONDUIT, AND 3M ELECTRONIC MARKER SYSTEM (EMS) LOCATORS FOR VAULTS AND HANDHOLES.

"WARNING TAPE" SHOULD BE PLACED A MINIMUM OF 12" ABOVE ANY CONDUIT ALONG THE ENTIRE TRENCH ROUTE, WHILE ADDITIONALLY "POST MARKERS" SHOULD BE PLACED EVERY 500' IN SUBURBAN AREAS AND 1000' IN RURAL AREAS.

BOTH VAULTS AND HANDHOLES ARE TO BE EQUIPPED WITH EMS LOCATORS. VAULTS AND HANDHOLES SHALL HAVE EMS MARKERS INSTALLED SECURED ON THE WALL AT THE TOP TO EASE LOCATING.

LOCATE WIRE AND BONDING:

ALL UNDERGROUND TELECOMMUNICATIONS INFRASTRUCTURE CONDUIT SHALL HAVE A #12 AWG HDPE 30 MIL COPPER STRANDED LOCATE WIRE PLACED INSIDE OR ALONG THE CONDUIT ALIGNMENT UNLESS SPECIFIED OTHERWISE BY THE GOVERNING PERMIT AGENCY.

ALL LOCATE WIRE SHALL BE EFFECTIVELY GROUNDED PER INDUSTRY ACCEPTABLE STANDARDS. T-3 LOCATE WIRE ACCESS TERMINALS OR APPROVED EQUIVALENT SHALL BE INSTALLED AT VAULT/HANDHOLE LOCATIONS FOR TERMINATION OF LOCATE WIRE AND HAVE SUFFICIENT ACCESS FOR THE EASE OF LOCATING FACILITIES. LOCATE WIRE TERMINALS ARE TO BE MOUNTED ON AN ACCESSORY ANGLE BRACKET ON THE INTERIOR RISER / WALL OF A CONCRETE VAULT OR INTERIOR WALL OF A FIBERGLASS / COMPOSITE VAULT.

ALL NEW UTILITY VAULT OR HANDHOLE INSTALLATIONS SHALL REQUIRE THE INSTALLATION OF A 5/8" COPPER CLAD GROUND ROD IN OR THROUGH THE BOTTOM OF THE VAULT USING CAUTION NOT TO DAMAGE EXISTING SUBSTRUCTURE. GROUND ROD SHALL BE OF PROPER LENGTH AND PLACEMENT TO ACHIEVE AN EFFECTIVE ELECTRICAL GROUND PER NEC / NESC AND THE GOVERNING PERMIT AGENCY. #6 AWG COPPER WIRE IS TO BE PLACED FROM THE GROUND ROD TO THE GROUND LUG ON THE T-3 LOCATE WIRE TERMINAL. ALL #12 AWG LOCATE WIRE ENTERING VAULTS OR HANDHOLES SHALL BE TERMINATED TO THE T-3 LOCATE WIRE ACCESS TERMINAL USING MANUFACTURER SUPPLIED BINDING POSTS. BONDING STRAPS ARE TO BE INSTALLED BETWEEN ALL #12 BINDING POSTS AND THE #6 GROUND LUG EFFECTIVELY GROUNDING ALL LOCATE WIRE WITHIN THE STRUCTURE.

LOCATE WIRE PLACED THROUGH CONDUIT RISERS WHEN TRANSITIONING FROM UNDERGROUND TO AERIAL ON UTILITY POLES SHALL BE BONDED TO THE MGN ON THE POLE NEAR THE TOP OF THE RISER. IF NO MGN IS PRESENT A NEW #6 AWG VERTICAL GROUND AND 5/8" COPPER CLAD GROUND ROD SHALL BE PLACED PER NESC / NEC GUIDELINES TO ACCOMMODATE EFFECTIVE GROUNDING.

PRIOR TO TOUCHING, WORKING OR CONNECTING LOCATING EQUIPMENT TO LOCATE WIRE, THE SYSTEM MUST BE TESTED FOR INDUCED VOLTAGE. INSTALL FILTER PROTECTOR / ARRESTOR AS REQUIRED ON ONE OR BOTH LOCATE WIRES IF INDUCED VOLTAGE EXCEEDS 50VAC.

*ALL LOCATE WIRE TERMINATION AND BONDING OF CONDUCTIVE MATERIALS TO BE IN ACCORDANCE WITH THE LATEST VERSION OF THE NATIONAL ELECTRIC SAFETY CODE AND THE NATIONAL ELECTRIC CODE.

BUILDING CONSTRUCTION:

ALL WORK SHALL BE DONE IN A "NEAT AND WORKMAN" LIKE MANNER, IN CONFORMITY WITH LOCAL, STATE AND FEDERAL BUILDING CODES. ALL WORK MUST COMPLY WITH APPLICABLE DATA SYSTEM STANDARDS AND NATIONAL ELECTRIC CODE STANDARD SPECIFICATIONS. STANDARDS INCLUDE, BUT ARE NOT LIMITED TO, EIA/TIA 568-B COMMERCIAL BUILDING WIRING STANDARDS AND EIA/TIA 569-A COMMERCIAL BUILDING STANDARD FOR TELECOMMUNICATIONS PATHWAYS AND SPACES.

AS-BUILT DATA – METHOD OF PROCEDURE:

UPON NOTIFICATION OF COMPLETION OF THE WORK AND ACCEPTANCE BY THE OWNER, THE CONTRACTOR SHALL PROVIDE THE PROJECT MANAGER WITH A SET OF NEAT AND ACCURATE "AS-BUILT" DRAWINGS WITHIN 10 BUSINESS DAYS OF COMPLETION OF THE PROJECT.

AS-BUILT DATA SHALL BE UPDATED AND MAINTAINED DAILY ON FIELD COPY DRAWINGS FOR THE DURATION OF CONSTRUCTION. UPON COMPLETION OF THE PROJECT, THE AS-BUILT DATA SHALL BE TRANSFERRED TO A CLEAN SET OF CONSTRUCTION DRAWINGS FOR SUBMITTAL TO THE PROJECT MANAGER.

THE AS-BUILT DATA SHALL BE DETAILED ON THE DRAWINGS IN EITHER COLORED INK OR COLORED PENCIL ACCORDING TO THE FOLLOWING COLOR CODES:

RED: WORK PLACED ACCORDING TO DESIGN AND CHANGES TO THE DESIGN
GREEN: WORK NOT PLACED ACCORDING TO THE DESIGN; OMIT FROM DESIGN
BLUE: EXISTING UTILITIES, FACILITIES, COMMENTS AND NOTES

1) WORK PERFORMED ACCORDING TO THE DESIGN SHALL BE HIGHLIGHTED OR LOCATED IN RED.

2) WORK PERFORMED ACCORDING TO APPROVED CHANGES OR VARIATIONS TO THE DESIGN SHALL BE NEATLY DRAWN AND DETAILED ON THE DRAWINGS SHOWING HOW THE CHANGES WERE CONSTRUCTED IN THE FIELD.

3) WORK THAT WAS DESIGNED BUT NOT PERFORMED AS SHOWN ON THE DRAWINGS SHALL BE HIGHLIGHTED OR LOCATED IN GREEN TO SHOW THAT THE WORK FUNCTION WAS NOT CONSTRUCTED AS DESIGNED.

4) EXISTING FACILITIES OR UTILITIES ENCOUNTERED; CONSTRUCTION NOTES; ADDITIONAL CONSTRUCTION RELATED INFORMATION IDENTIFIED IN THE FIELD SHALL BE NEATLY DRAWN AND DETAILED IN BLUE.

COLORED HIGHLIGHTER PENS ACCORDING TO THE COLOR CODES AS DETAILED ABOVE ARE ACCEPTABLE. FLUORESCENT YELLOW HIGHLIGHTER PENS ARE NOT AN ACCEPTABLE FORM OF AS-BUILT COLORING.

AS-BUILT DRAWINGS SHALL CONTAIN THE FOLLOWING DATA AT A MINIMUM FOR EACH OF THE FOLLOWING WORK FUNCTIONS:

AERIAL SEGMENTS:

1) POINT OF ATTACHMENT HEIGHT FROM THE GROUND TO THE CABLE AND/OR STRAND ON ALL POLES.

2) CABLE FOOTAGE (SEQUENTIAL) MARKINGS AT ALL CABLE ENDS; START AND END OF SLACK STORAGE AND CONDUIT ENTRANCE / EXIT POINTS.

3) LOCATION OF ALL SLACK STORAGE AND CABLE SPLICE POINTS.

4) ANCHOR AND DOWN GUY SIZE PLACED AND LEAD LENGTH BETWEEN THE ANCHOR AND THE POLE.

UNDERGROUND SEGMENTS:

1) DEPTH OF CONDUIT MEASURED EVERY 25 FEET AND AT EVERY CHANGE IN DIRECTION ALONG THE CONDUIT ALIGNMENT.

2) OFFSET DISTANCE MEASURED EVERY 25 FEET AND AT EVERY CHANGE IN DIRECTION FROM THE ALIGNMENT TO A CURB, EDGE OF PAVEMENT OR OTHER PHYSICAL REFERENCE OBJECT.

3) LOCATION AND DEPTH OF VAULTS, HAND HOLES AND JUNCTION BOXES PLACED.

4) DEPTH, TYPE AND DIRECTION OF ANY EXISTING UTILITY ENCOUNTERED CROSSING THE CONDUIT ROUTE.

5) LOCATION OF MAGNETIC LOCATING TARGETS PLACED.

6) CABLE FOOTAGE (SEQUENTIAL) MARKINGS AT ALL CABLE ENDS, START AND END OF SLACK STORAGE, CONDUIT ENTRANCE / EXIT POINTS.

7) ACTUAL QUANTITY OF CABLE SLACK STORAGE LEFT IN VAULT LOCATIONS.

8) ACTUAL WALL TO WALL MEASUREMENTS OF CONDUIT SEGMENTS BETWEEN VAULTS.

9) PROVIDE DETAILED VAULT BUTTERFLY DRAWINGS INCLUDING CONDUIT ENTRY AND EXIT LOCATIONS; CONDUIT SIZE & TYPE; CABLE ROUTING; CABLE COILS; SPLICE CASES; RACKING; LOCATE WIRES; LOCATE TERMINALS; GROUND RODS; GROUNDING; AND GENERAL ORIENTATION.

AS-BUILT DATA – METHOD OF PROCEDURE:

DIRECTIONAL BORING:

1) DEPTH OF CONDUIT MEASURED EVERY 10 FEET WITH A RUNNING LINE OFFSET DISTANCE FROM A CURB, EDGE OF PAVEMENT OR OTHER PHYSICAL REFERENCE OBJECT.

2) BORE PLAN AND PROFILE DRAWING REFLECTING THE DEPTH AND RUNNING LINE OFFSET MEASUREMENT EVERY 10 FEET THROUGHOUT THE ENTIRE LENGTH OF THE BORE; DETAIL BORE PROFILES WITH DEPTH AND LOCATION OF ALL VISUALLY VERIFIED UTILITIES (I.E. ALL POT-HOLED UTILITIES EXPOSED ALONG THE BORE ALIGNMENT)

3) AS-BUILT DRAWINGS SHALL HAVE THE WORDS "AS-BUILT" WITH THE NAME OF THE CONTRACTOR AND THE DATE STAMPED ON EVERY SHEET IN THE DRAWING PACKAGE.

ANY CHANGES OR DEVIATIONS FROM THE CONSTRUCTION DRAWINGS MUST BE APPROVED BY THE PROJECT MANAGER OR THE OWNER PRIOR TO MAKING ANY OF THE SAID CHANGES OR DEVIATIONS.

PHOTO DOCUMENTATION:

ALL UNDERGROUND VAULTS; JUNCTION BOXES, CONDUIT INFRASTRUCTURE; TRENCHES; EXCAVATIONS; AND RESTORATION TO BE CLEARLY PHOTOGRAPHED BEFORE, DURING AND AFTER CONSTRUCTION TO VERIFY THAT CONSTRUCTION PROCEDURES ARE MET. FACILITY ENTRANCES, PULL BOXES, CABLE RACEWAYS, SPLICE CASES, SPLICE TRAYS, TERMINATION RACKS AND OTHER EQUIPMENT OR ELECTRONICS INSTALLED BY CONTRACTOR TO BE PHOTOGRAPHED AT THE TIME OF INSTALLATION TO ENSURE PROPER PROCEDURES ARE MET AND TO PROVIDE ADEQUATE DOCUMENTATION TO SERVE AS ASBUILT RECORD.

GENERAL SPECIFICATIONS DISCLAIMER

THE INFORMATION CONTAINED IN THESE SPECIFICATIONS PROVIDES GENERAL GUIDELINES NECESSARY TO FACILITATE THE INSTALLATION OF COMMUNICATIONS INFRASTRUCTURE. ANY DISCREPANCIES BETWEEN THESE SPECIFICATIONS AND THE LOCAL GOVERNING AUTHORITY OR PERMIT AGENCY IS TO BE VALIDATED WITH THE DESIGNER OR OWNER PRIOR TO CONSTRUCTION. WHERE DETAILS ARE SHOWN, THEY ARE PROVIDED AS A REFERENCE FOR PLACEMENT OF COMMUNICATIONS INFRASTRUCTURE AND ACCEPTABLE INDUSTRY STANDARDS. IT IS THE RESPONSIBILITY OF THE CONTRACTOR TO VERIFY THE INSTALLATION OF ALL INFRASTRUCTURE MEETS THE APPLICABLE LOCAL, REGIONAL AND NATIONAL BUILDING CODES AND SAFETY STANDARDS. COMMSTRUCTURE CONSULTING, LLC. DOES NOT ASSUME LIABILITY FOR THE NEGLIGENCE OF THE INSTALLATION CONTRACTOR AND THEIR ABILITY TO PERFORM ANY ASPECT OF THE WORK HEREIN ACCORDING TO THESE STANDARDS.

REFERENCES:

EIA/TIA COMMERCIAL BUILDING WIRING STANDARD, 606 AND ALL RECOGNIZED TSBS.

NATIONAL ELECTRIC SAFETY CODE

UNDERWRITER'S LABORATORIES (UL): APPLICABLE LISTINGS AND RATINGS

1) ALL CONDUIT PLACED ON PRIVATE PROPERTY IS TO BE SCH 40 PVC IF PLACED OUTSIDE THE BUILDING AND EMT IF PLACED WITHIN THE BUILDING. RISER CONDUIT ON THE EXTERIOR OF BUILDING IS TO BE GRC UNLESS OTHERWISE SPECIFIED.

2) ALL CONDUIT IS TO BE EQUIPPED WITH INNERDUCT AS SPECIFIED.

3) 90 BENDS ARE TO BE "SWEEP" BENDS, 3' RADIUS, UNLESS OTHERWISE SPECIFIED.

4) CONDUIT PATHWAYS WITHIN BUILDING INTERIORS SHALL BE SUPPORTED WITH APPROPRIATE HARDWARE SPECIFIC TO THE EXISTING MATERIAL OR STRUCTURE.

5) ALL EXTERIOR WALL PENETRATIONS ARE TO BE RESEALED PER BUILDING AND FIRE CODE.

6) ALL INTERIOR WALL PENETRATIONS ARE TO COMPLY WITH PERTINENT BUILDING AND FIRE CODES AND ARE TO BE CONSTRUCTED IN SUCH A MANNER AS TO INSURE THE INTEGRITY OF THE PENETRATED WALL.

7) ALL PULL BOXES ARE TO BE NEMA TYPE 3R OR EQUIVALENT.

8) NOTIFY THE "BUILDING CONTACT" PERSON A MINIMUM OF 48 HOURS PRIOR TO COMMENCING ANY WORK ON THE PREMISES.

Clackamas Broadband eXchange

information at the speed of light

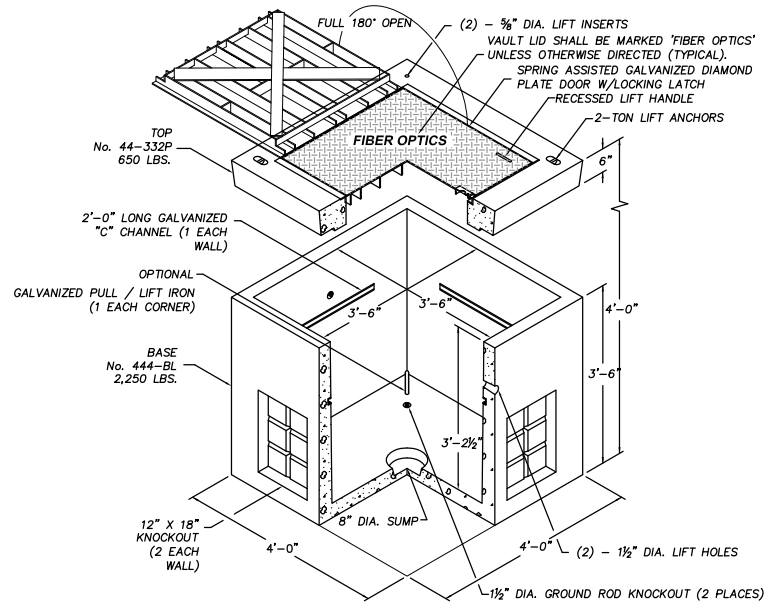
STANDARD PLANS FOR CONSTRUCTION

GENERAL NOTES

CITY: CITY – TOWNSHIP RANGE SECTION(S):		COUNTY: COUNTY CO., STATE	
PLOT DATE: 5/08/2022	SCALE: AS SHOWN	PROJECT NAME-FILENAME.DWG – TAB_SHEET # CBX-DT00.DWG – GN01_1.5	SHEET 1.5

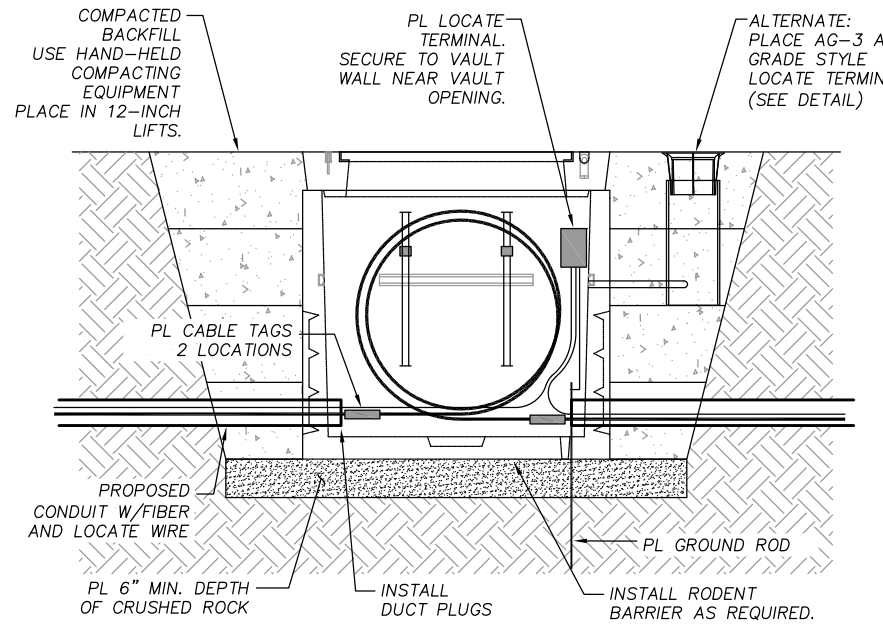
DESIGNED BY: CCLLC	FIELD BY: CCLLC			
CHECKED BY: CCLLC	DRAWN BY: CCLLC			
REVISIONS				
REV	DESCRIPTION	DATE	BY	APPR.

SPECIFICATION SET



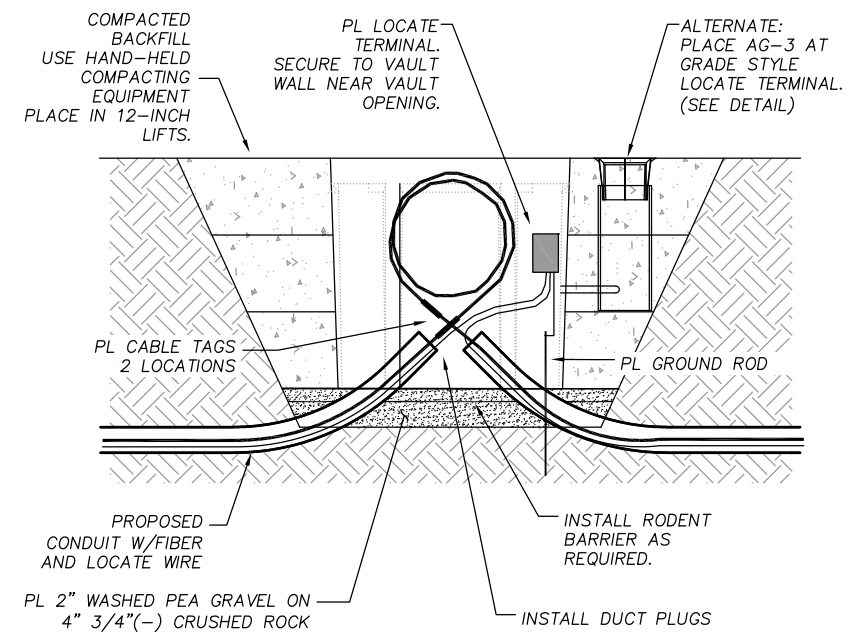
**(SIDEWALK / INCIDENTAL TRAFFIC LOC.)
UTILITY VAULT PRE-CAST 444-LA** 1
SCALE: (ADDITIONAL DETAILS SEE 1.1/1.6 & 4/1.6) 1.6

CONCRETE VAULTS:
GROUND WIRE TO BE CLAMPED TO GROUND ROD USING GROUND CLAMPS AND EXTENDED TO LOCATE TERMINAL STATION USING #6 LOCATE WIRE TO CENTER POST. RUN #12 LOCATE WIRE FROM EACH CONDUIT IN VAULT TO TERMINAL. TAG EACH LOCATE WIRE WITH DIRECTION IT LEAVES THE VAULT (N,S,E,W). TEST STATION BONDING STRAPS TO BE PLACED ACCORDING TO GROUND OR PASS-THROUGH CONFIGURATION. SEE DETAIL 4/1.7.

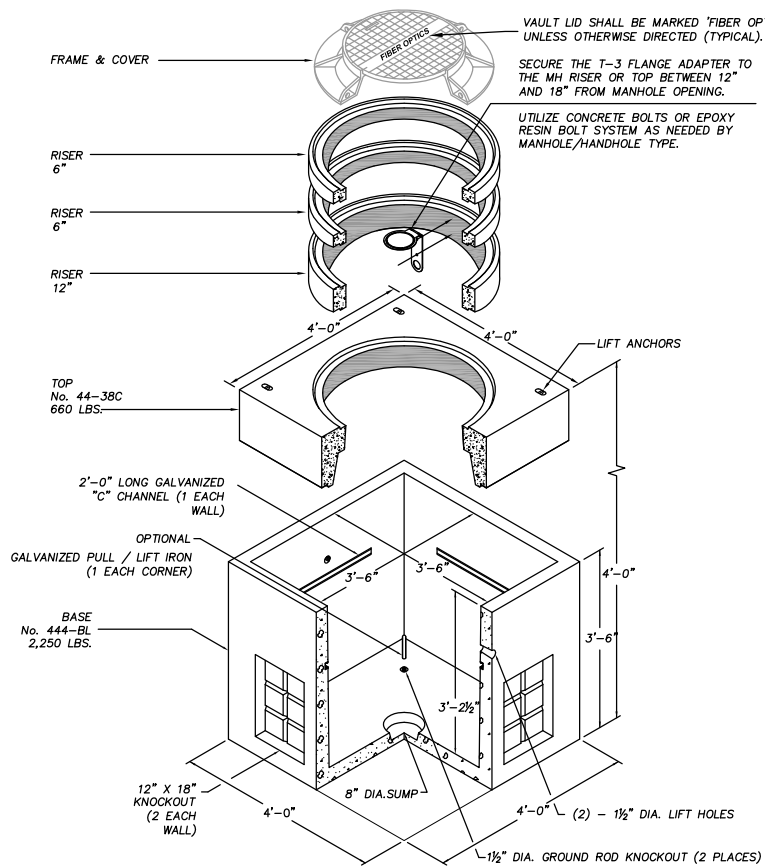


**VAULT SECTION INTERIOR DETAIL
UTILITY VAULT PRE-CAST MANHOLE** 1.1
SCALE: (ADDITIONAL DETAILS SEE 4/1.7 & 5/1.7) 1.6

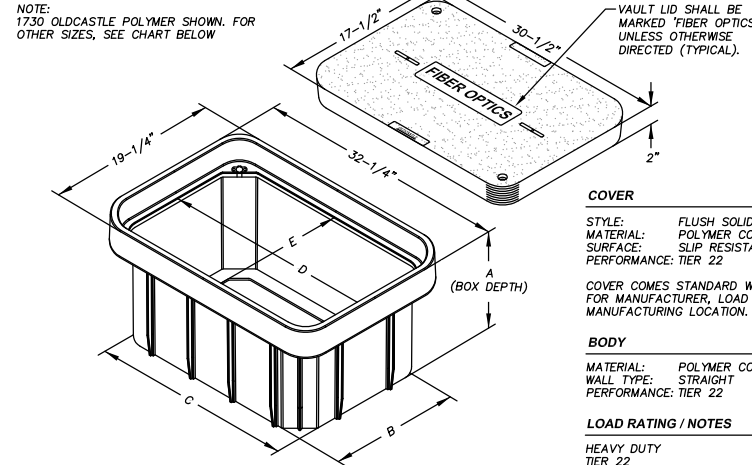
OPEN BOTTOM HANDHOLES:
#6 LOCATE WIRE BONDING STRAP TO GROUND ROD WILL NOT BE INSTALLED ON PASS THROUGH TEST STATIONS.



**VAULT SECTION INTERIOR DETAIL
OPEN BOTTOM HANDHOLE** 3.1
SCALE: (ADDITIONAL DETAILS SEE 4/1.7 & 5/1.7) 1.6

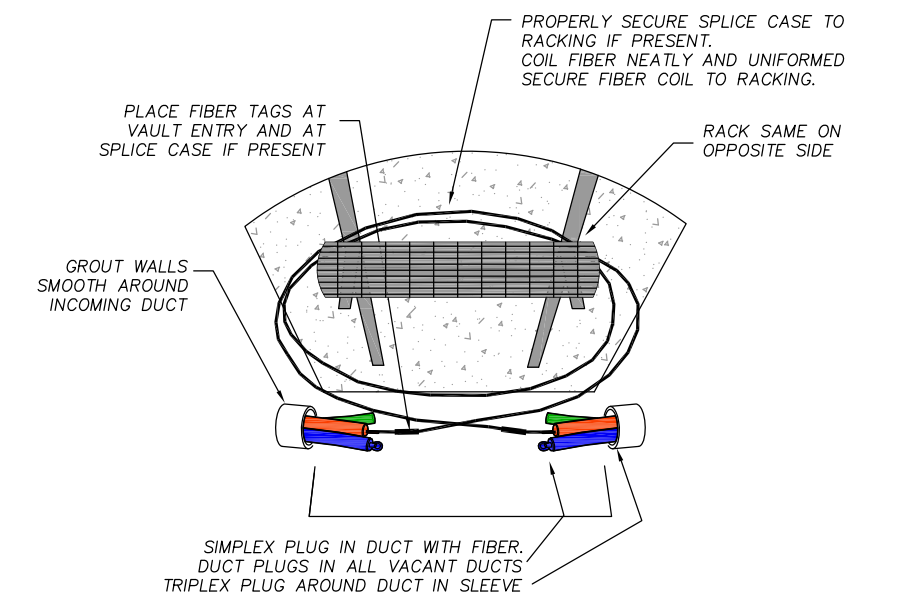


**(ROADWAY / SUSTAINED TRAFFIC LOC.)
UTILITY VAULT PRE-CAST 444-LA** 2
SCALE: (ADDITIONAL DETAILS SEE 1.1/1.6 & 4/1.6) 1.6



DESCRIPTION (OLD CASTLE POLYMER)	NOMINAL SIZE	A	B	C	D	E
VAULT & COVER ASSEMBLY	1730-12	12	17-1/4	30-1/4	28-3/16	15-3/16
VAULT & COVER ASSEMBLY	1730-18	18	17-1/8	30-1/8	28	15
VAULT & COVER ASSEMBLY	1730-24	24	17	30	27-3/4	14-3/4
VAULT & COVER ASSEMBLY	2436-18	18	23-5/8	35-1/4	33-3/15	21-9/16
VAULT & COVER ASSEMBLY	2436-24	24	23-3/8	34-15/16	32-13/16	21-5/16
VAULT & COVER ASSEMBLY	2436-30	30	23-1/2	35-1/8	32-3/4	21-1/8
VAULT & COVER ASSEMBLY	2436-36	36	23-3/16	34-11/16	32-7/16	20-15/16
VAULT & COVER ASSEMBLY	3048-18	18	29-7/16	46-15/16	44-1/2	27
VAULT & COVER ASSEMBLY	3048-24	24	29-5/16	46-13/16	44-1/4	26-3/4
VAULT & COVER ASSEMBLY	3048-36	36	29	46-1/2	44-1/8	26-5/8
VAULT & COVER ASSEMBLY	3060-24	24	33-3/8	61-1/4	58-7/16	30-9/16
VAULT & COVER ASSEMBLY	3060-30	30	33-1/4	61-1/8	58-5/16	30-7/16
VAULT & COVER ASSEMBLY	3060-36	36	33-1/16	60-15/16	58-3/16	30-5/16

OLDCASTLE POLYMER - OPEN BOTTOM UTILITY VAULT 3
SCALE: (ADDITIONAL DETAILS SEE 3.1/1.6) 1.6



TYPICAL VAULT INTERIOR DETAIL 4
SCALE: 1" = N.T.S. 1.6

Plot Date: 08 May 2022, 12:50pm By User: tombr Drawing Name: C:\CCLLC\PROJECTS\CLACKAMAS BROADBAND EXCHANGE\CAD\CXB-DT00.DWG Layout (If Any): dt01_1.6

811 Railroad Avenue
Oregon City, Oregon 97045
www.commstructureconsulting.com

Main Office:
503.343.4134

DESIGNED BY: CCLLC	FIELD BY: CCLLC			
CHECKED BY: CCLLC	DRAWN BY: CCLLC			
REVISIONS				
REV	DESCRIPTION	DATE	BY	APPR.

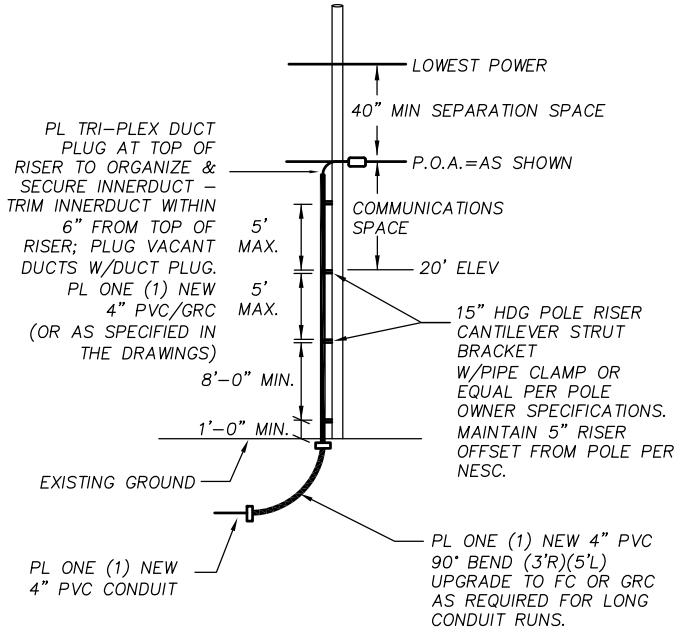
Clackamas Broadband eXchange
information at the speed of light

STANDARD PLANS FOR CONSTRUCTION
VAULT DETAILS

CITY: CITY - TOWNSHIP RANGE SECTION(S): COUNTY: COUNTY CO., STATE

PLOT DATE: 5/08/2022 SCALE: AS SHOWN PROJECT NAME-FILENAME.DWG - TAB_SHEET # SHEET 1.6

SPECIFICATION SET

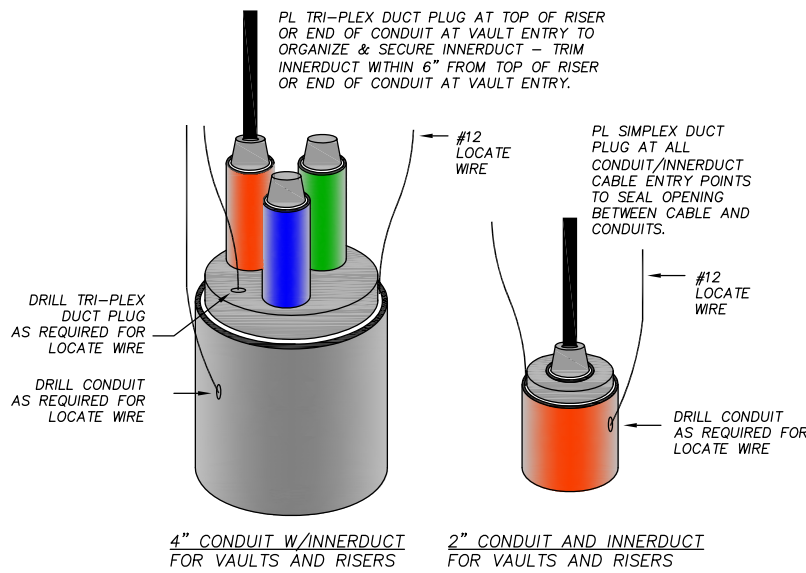


4\"/>

SCALE: (ADDITIONAL DETAILS SEE 3/1.7 & 5/1.7)

1

1.7

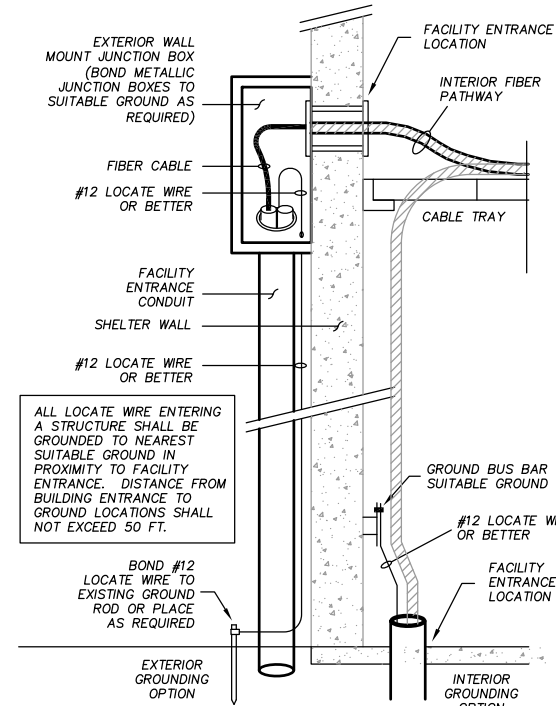


SIMPLEX DUCT PLUG DETAIL AND TRI-PLEX DUCT PLUG DETAILS

SCALE: 1\"/>

5

1.7

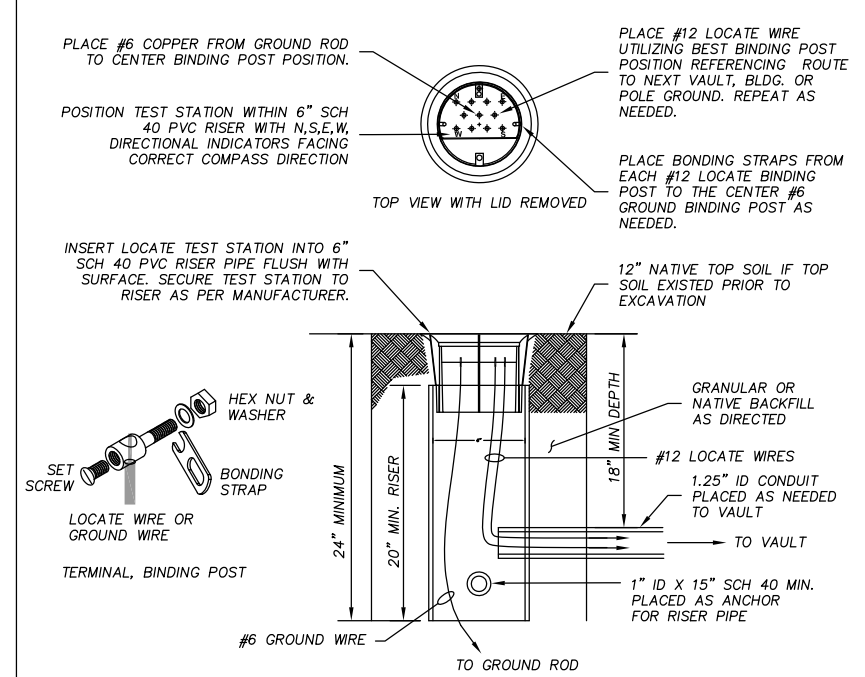


FACILITY ENTRANCE GROUNDING DETAIL

SCALE: 1\"/>

6

1.7

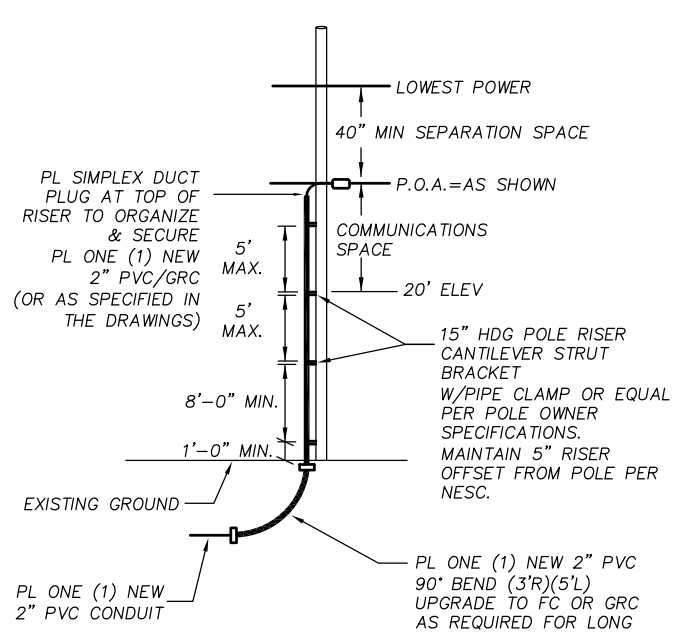


AG-3 LOCATE TEST STATION (ALT) AT GRADE STYLE TERMINAL

SCALE: 1\"/>

4.1

1.7

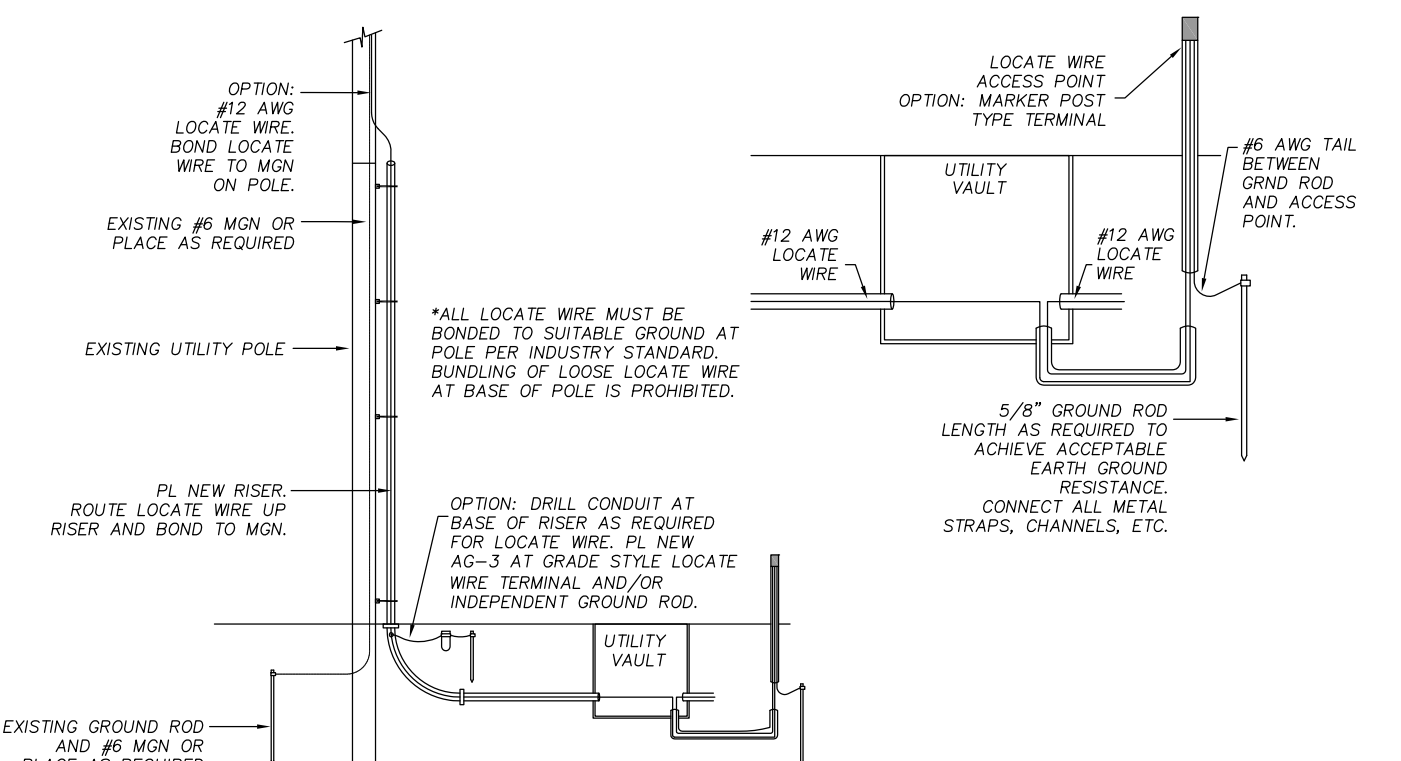


2\"/>

SCALE: (ADDITIONAL DETAILS SEE 3/1.7 & 5/1.7)

2

1.7

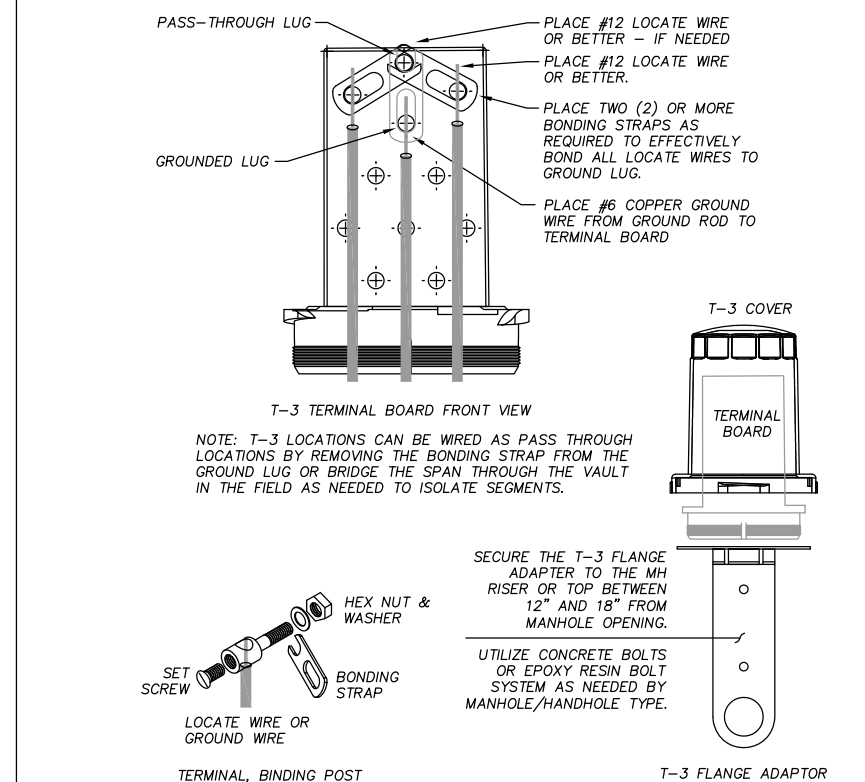


TYPICAL BONDING DETAIL TRANSITION AERIAL TO UNDERGROUND

SCALE: 1\"/>

3

1.7



T-3 LOCATE TEST STATION WITH FLANGE ADAPTOR

SCALE: 1\"/>

4

1.7

Plot Date: 08 May 2022, 12:50pm By User: tombr Drawing Name: C:\CCLL\PROJECTS\CLACKAMAS BROADBAND EXCHANGE\CAD\CXB-DT00.DWG Layout (If Any): dt01_1.7

811 Railroad Avenue
Oregon City, Oregon 97045
www.commstructureconsulting.com

Main Office:
503.343.4134

DESIGNED BY:	CCLLC	FIELD BY:	CCLLC
CHECKED BY:	CCLLC	DRAWN BY:	CCLLC
REVISIONS			
REV	DESCRIPTION	DATE	BY

Clackamas Broadband eXchange

information at the speed of light

STANDARD PLANS FOR CONSTRUCTION

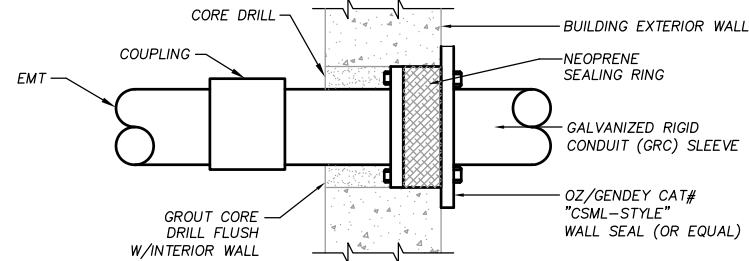
RISER DETAILS AND LOCATE WIRE / BONDING DETAILS

CITY: CITY - TOWNSHIP RANGE SECTION(S): COUNTY: COUNTY CO., STATE

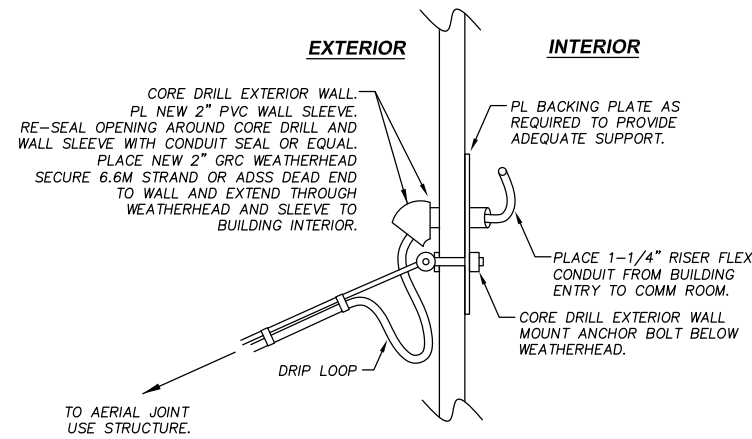
PLOT DATE: 5/08/2022 SCALE: AS SHOWN PROJECT NAME-FILENAME.DWG - TAB_SHEET # SHEET

CBX-DT00.DWG - DT01_1.7 1.7

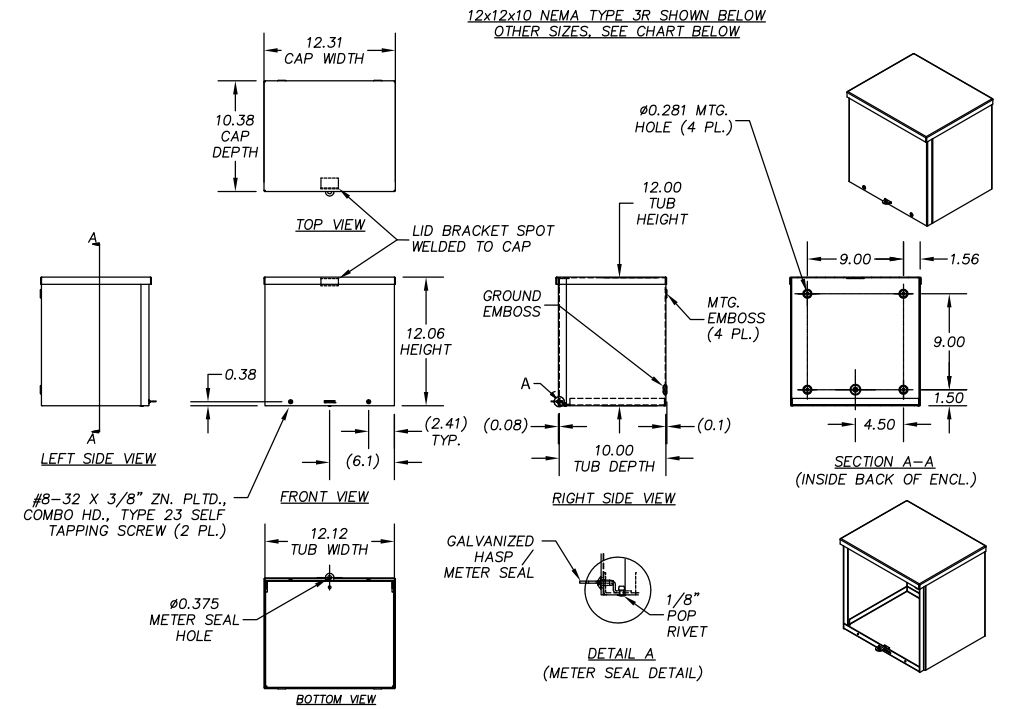
SPECIFICATION SET



BUILDING ENTRANCE - CONDUIT SEAL DETAIL (TYP) 1
SCALE: 1" = N.T.S.



BUILDING ATTACHMENT WITH WEATHERHEAD 2
SCALE: 1" = N.T.S.



PART NUMBER	BODY/DOOR STEEL GAUGE	ENCLOSURE SIZE H x W x D	KNOCKOUT PATTERNS
RSC121210	16/16	12x12x10 (305x305x254)	NO KNOCKOUTS
RSC242416	14/14	24x24x16 (610x610x406)	NO KNOCKOUTS
RSC363616	12/12	36x36x16 (914x914x406)	NO KNOCKOUTS

NEMA TYPE 3R ENCLOSURE 3
SCALE: 1" = N.T.S.

Plot Date: 08 May 2022, 12:50pm By User: tombr Drawing Name: C:\CCLLC\PROJECTS\CLACKAMAS BROADBAND EXCHANGE\CAD\CBX-DT00.DWG Layout (If Any): dt01_1.8

811 Railroad Avenue
Oregon City, Oregon 97045
www.commstructureconsulting.com

Main Office:
503.343.4134

DESIGNED BY: CCLLC	FIELD BY: CCLLC			
CHECKED BY: CCLLC	DRAWN BY: CCLLC			
REVISIONS				
REV	DESCRIPTION	DATE	BY	APPR.

Clackamas Broadband eXchange
information at the speed of light

STANDARD PLANS FOR CONSTRUCTION

LOCK BOX ENCLOSURE DETAILS / BUILDING ENTRANCE DETAILS

CITY: CITY - TOWNSHIP RANGE SECTION(S): COUNTY: COUNTY CO., STATE

PLOT DATE: 5/08/2022 SCALE: AS SHOWN PROJECT NAME-FILENAME.DWG - TAB_SHEET # SHEET

CBX-DT00.DWG - DT01_1.8 **1.8**



INVITATION TO BID #2024-35
CBX Marmot Project
ADDENDUM NUMBER 1
October 3, 2024

On September 11, 2024, Clackamas County (“County”) published Invitation to Bid #2024-35 (“BID”). The County has found that it is in its interest to amend the BID through the issuance of this Addendum #1. Except as expressly amended below, all other terms and conditions of the original BID and subsequent Addenda shall remain unchanged.

1. The following has been added to the **Project Information, Plans, Specifications and Drawings**, under Project Description:
 8. Contractor to provide a linear ft cost for tree trimming as an adder to their build.
 9. Vault types and quantity for this project bid. 24x36x24 single lid vault (75 total);
13x24x18 single lid vault (60 total).

End of Addendum 1



INVITATION TO BID #2024-35
CBX Marmot Project
ADDENDUM NUMBER 2
October 7, 2024

On September 11, 2024, Clackamas County (“County”) published Invitation to Bid #2024-35 (“BID”) and Addendum 1 on October 3, 2024. The County has found that it is in its interest to amend the BID through the issuance of this Addendum #1. Except as expressly amended below, all other terms and conditions of the original BID and subsequent Addenda shall remain unchanged.

1. The Bid Closing date is changed from October 9, 2024 at 2:00PM to **October 17, 2024 at 2:00PM**

End of Addendum 2



INVITATION TO BID #2024-35
CBX Marmot Project
ADDENDUM NUMBER 3
October 7, 2024

On September 11, 2024, Clackamas County (“County”) published Invitation to Bid #2024-35 (“BID”) and Addendum 1 on October 3, 2024 and Addendum 2 on October 7, 2024. The County has found that it is in its interest to amend the BID through the issuance of this Addendum #3. Except as expressly amended below, all other terms and conditions of the original BID and subsequent Addenda shall remain unchanged.

1. The following changes have been made to the Bid Form under section 2:
Alternate 3 added to the Bid Form to include tree trimming per linear foot. New Bid Form attached.

Attachments: New Bid Form-dated 10.7.2024

End of Addendum 3