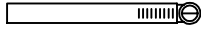
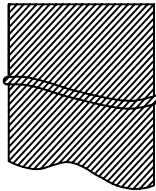


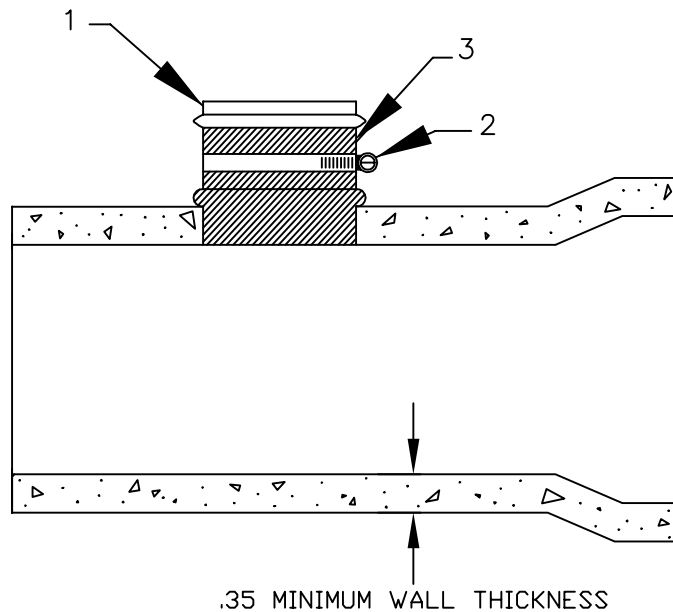
1. PVC HUB SHALL CONFORM TO ASTM 3034, SDR 35 DRIVE INTO CENTER OF RUBBER SLEEVE AFTER SLEEVE IS PLACED IN HOLE.



2. STAINLESS STEEL BAND SECURES UPPER HALF OF RUBBER SLEEVE TO THE PVC HUB. STAINLESS STEEL BAND SHALL BE 300 SERIES,  $\frac{3}{16}$ " BAND WIDTH, CADMIUM PLATED CARBON STEEL, AND ATTACHED WITH HEX HEAD SLOTTED SCREW.



3. COMPLETE RUBBER SLEEVE INCLUDES A MOLDED SEGMENT THAT HOLDS IT IN PLACE.



**NOTE:**

1. ALL INSERTA-TEE HOLES SHALL BE MACHINE DRILLED AND CORED.
2. INSERTA-TEE ARE ALLOWED IN NEWLY CONSTRUCTED STORM SYSTEM MAINS 12" AND LARGER INSIDE DIAMETER (I.D.).
3. THE STORM SYSTEM MAIN SHALL BE TWO SIZES (NOMINAL I.D.) LARGER THAN THE INSERTA
4. HOST PIPE SHALL BE MINIMUM .35" WALL THICKNESS.