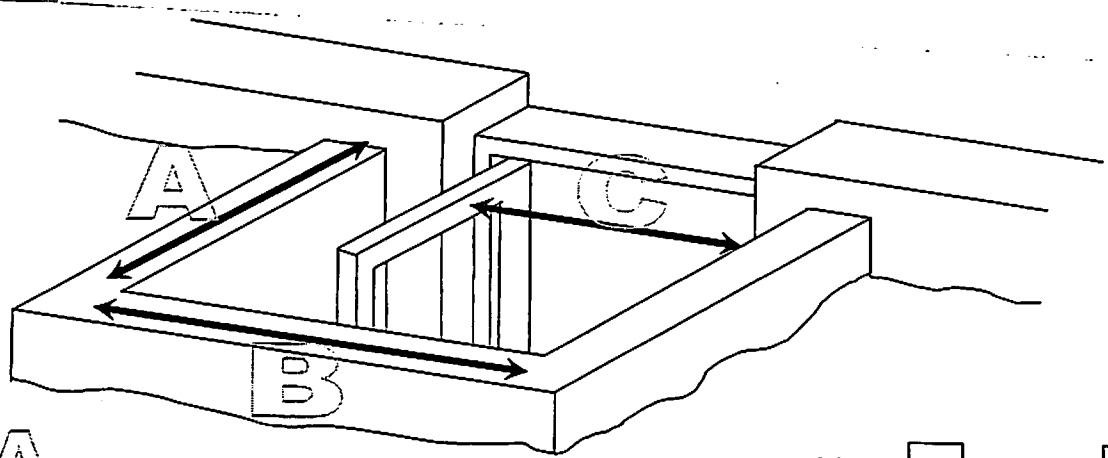


Window Well Worksheet

1) Check Window Well Dimensions



Is the clear horizontal distance,

A at least 36 inches?

Yes ..

Is the clear horizontal distance,

B at least 36 inches?

Yes ..

Is the clear horizontal distance,

C with the window open at least 30 inches?

Yes ..

2) Check Window Well Opening Area (fill in the three blanks)

$$A \text{ ______ } \times C \text{ ______ } = \text{Area } \text{ ______ }$$

Horizontal distance (inches)

Horizontal distance (inches)

Net horizontal opening (square inches)

Is the clear openable area,

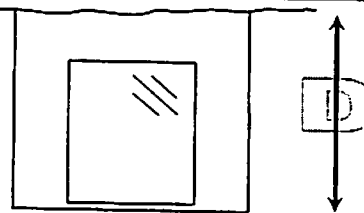
Area at least 1,080 square inches?

Yes ..

3) Check the vertical depth of the window well

If the distance, **D** from the bottom of the well to the top at grade is more than 44 inches, a ladder is required.

If a ladder is required, is one provided?

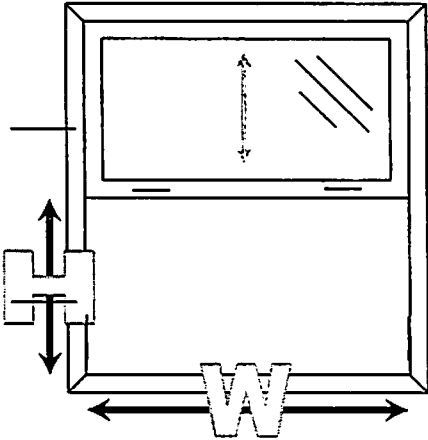


Yes ..

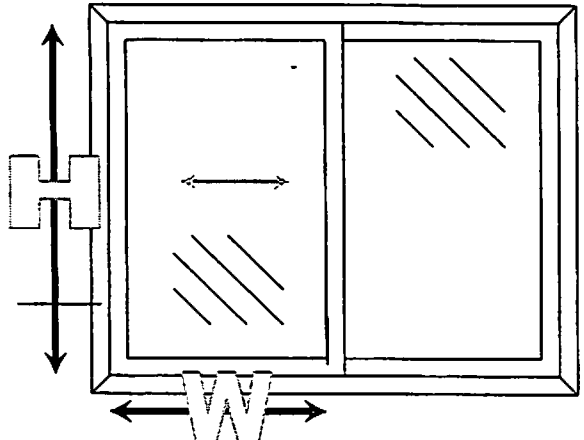
For Escape Windows

1) Check Window Height and Width

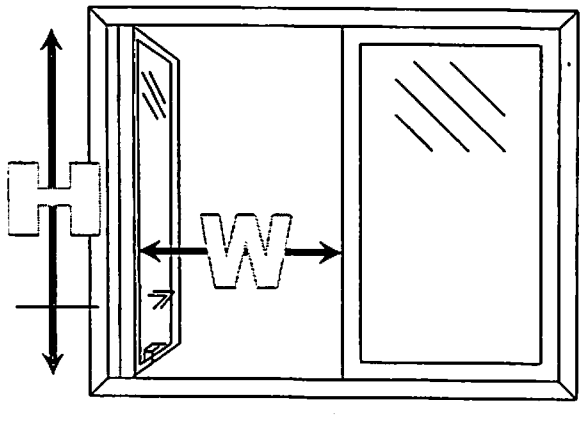
DOUBLE HUNG



SLIDING



CASEMENT



Is the clear openable height, **H** at least 24 inches? Yes ..

Is the clear openable width, **W** at least 20 inches? Yes ..

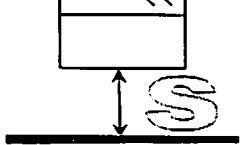
2) Check Window Opening Area (fill in the three blanks)

H _____ **X** **W** _____ = **A** _____
 Openable height (inches) Openable width (inches) Openable area (square inches)

Is the clear openable area, **A** at least 5.7 square inches? Yes ..

3) Check the distance from the floor to the bottom of opening

Is the distance, **S** from the floor to the finished sill (bottom of opening) 44 inches or less?



Yes