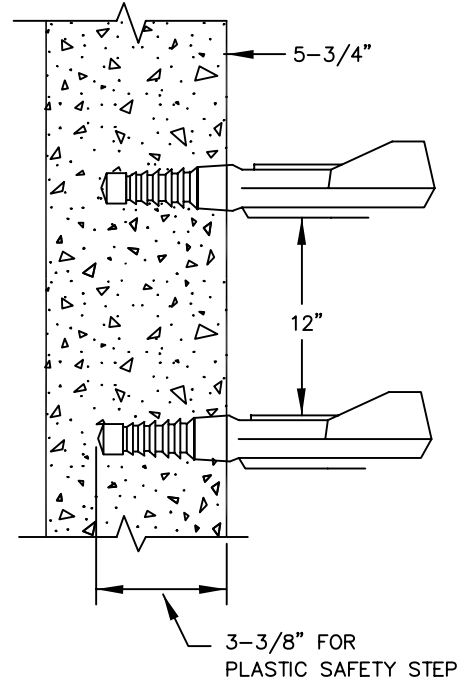


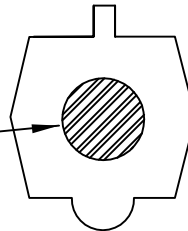
NOTES:

1. ALL STEPS SHALL CONFORM TO THE REQUIREMENTS OF ASTM C-478.
2. MANHOLE STEPS MUST BE TIGHT AND FIRMLY EMBEDDED.
3. ALL STEPS WITHIN A MANHOLE SHALL BE OF THE SAME DESIGN, TYPE, AND SIZE. (MIXING OF UNMATCHED STEPS IS NOT PERMITTED).



COPOLYMER POLYPROPYLENE PLASTIC

1/2" GRADE 60 REINFORCEMENT



NOTES:

1. STEPS LOCATED AT 12" O.C. LOCATED ON VERTICAL SIDE OF MANHOLE.
2. STEPS A MAXIMUM OF 24" FROM RIM AND 6" FROM TOP OF CONE TO FIRST STEP.
3. REFERENCE DETAILS SWM MH-2.0, MH-8.0, AND MH-9.0.

MATERIALS:

PLASTIC:

MUST CONFORM WITH ASTM C-478.
 STEEL REINFORCING BAR MINIMUM 1/2" GRADE 60.
 MEETING REQUIREMENTS OF ASTM A615 ENCAPSULATED
 WITH INJECTION MOLDED COPOLYMER POLYPROPYLENE
 WITH SERRATED SURFACES.



CLACKAMAS COUNTY
 150 BEAVERCREEK ROAD
 OREGON CITY, OR 97045

APPROVAL DATE: 2013 SCALE: N.T.S.

MANHOLE - STEP

STANDARD
 DRAWING

SWM
 MH-11.0