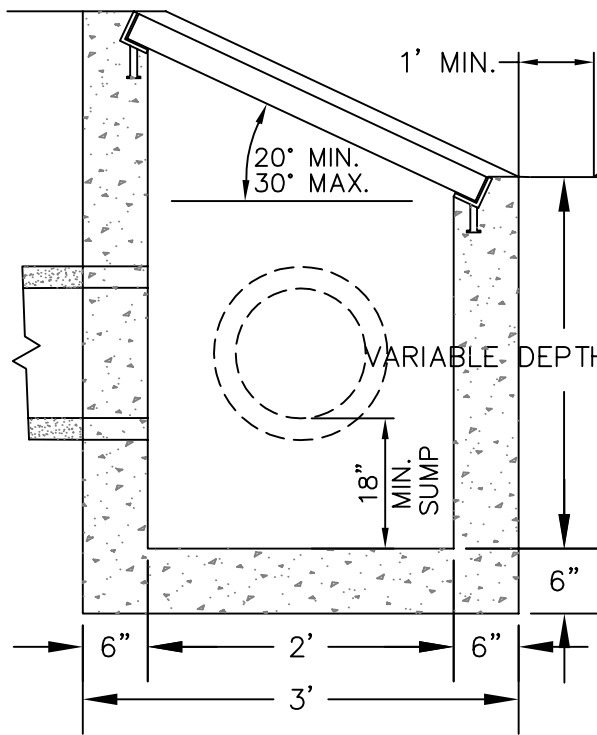


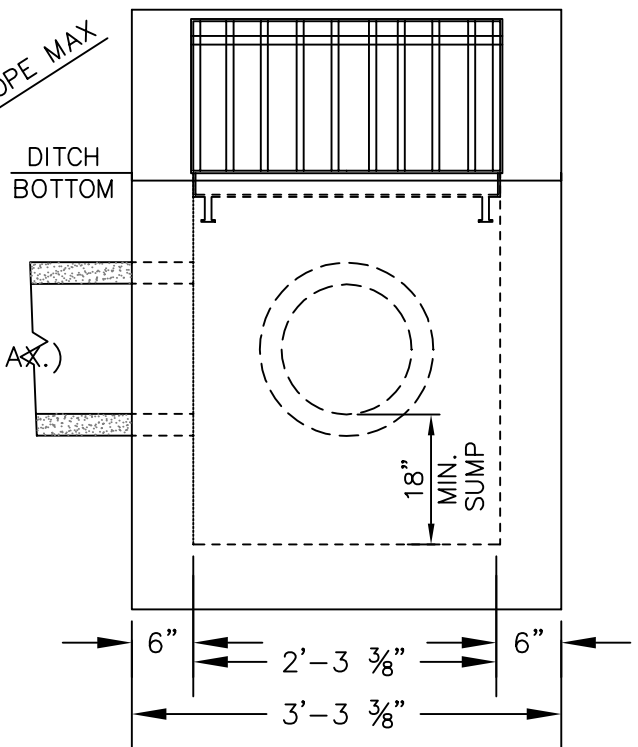
PLAN

NOTES

1. SPECIFICATIONS FOR CONCRETE AND MISC. MATERIALS USED IN CONSTRUCTION SHALL CONFORM TO THE CURRENT APWA STANDARD SPECIFICATIONS.
2. CONCRETE SHALL HAVE A MINIMUM COMPRESSIVE STRENGTH OF 3300 PSI IN 28 DAYS.
3. REFER TO ODOT STANDARD DRAWING RD370 FOR MORE INFORMATION.



SECTION A-A



SECTION B-B

NOTE: PROVIDE 6" OF COMPACTED CRUSHED ROCK BELOW STRUCTURE